



Specification

DESIGN

The valve body consists of three parts, full bore,
Top flange ISO 5211, API6A/6D/API607

OPERATION

Rotation of the handle through 90°

SIZE

2" - 42"

FACE TO FACE LENGTH

ASME B16.10 GB/T12221

PRESSURE RANGE

150LB-2500LB

NOMINAL PRESSURE

150LB/300LB/600LB/900LB
1500LB/2500LB

TEMPERATURE RANGE

R-PTFE: -30°C - +200°C
PPL: -29°C - +220°C
Metal seal: -196°C - +600°C

MATERIALS

Body: A105
F304
F316

Ball: A105+ENP/STL
304
316

Seat seal: R-PTFE/PPL/Metal

Valve stem seal: PTFE/PPL/Graphite

Handle: SS

OPTIONS

Electronic position indicator
Lengthened handle
Handwheel device

The above information is for reference only and
Eicmation reserves the right to alter without prior
notice



Type:
BNA
Manual forged steel trunnion
ball valve
Full bore
150LB/300LB/600LB
900LB/1500LB/2500LB
A105
F304
F316

Trunnion mounted ball valve CV value and Torque

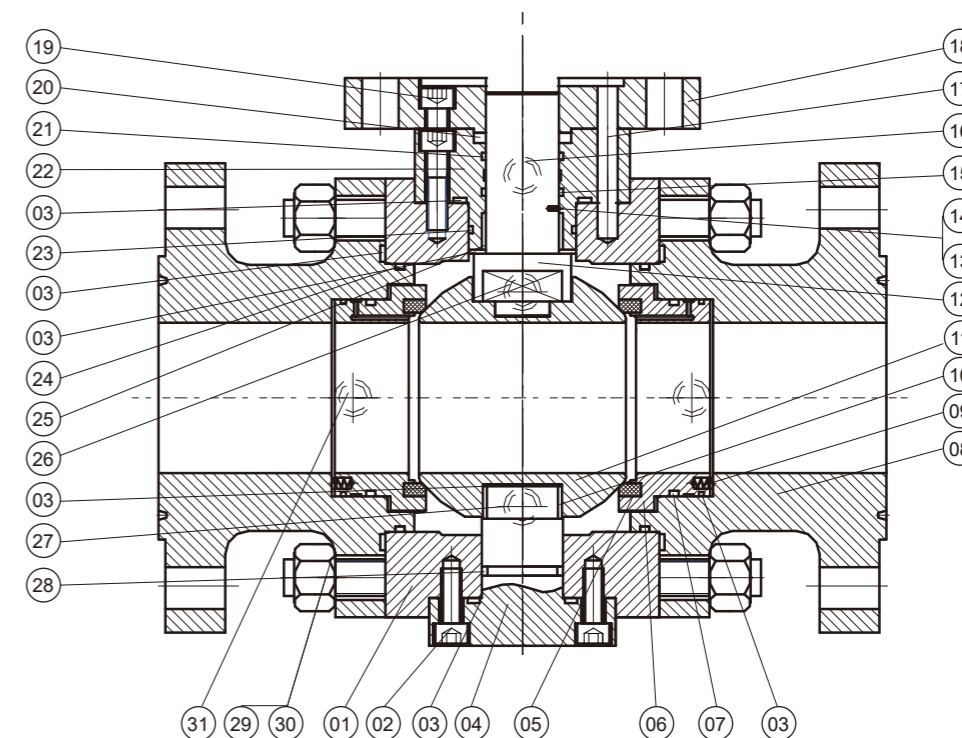
CV value

SIZE	CLASS150	CLASS300	CLASS600	CLASS900	CLASS1500
2"	500	470	400	360	360
3"	1300	1100	1000	1000	900
4"	2300	2200	1800	1800	1600
6"	5400	5400	4500	4300	4000
8"	10000	10000	8900	8400	7900
10"	17800	17100	14500	14000	13000
12"	26000	25000	22000	21000	19000
14"	32000	31000	28000	26000	24000
16"	44000	42000	39000	36000	33000
18"	58000	56000	51000	47500	42000
20"	75000	72000	66000	60000	52000
24"	111200	102000	92000	86000	81000
26"	123000	108000	98000	91000	-
28"	143000	123000	122000	112000	-

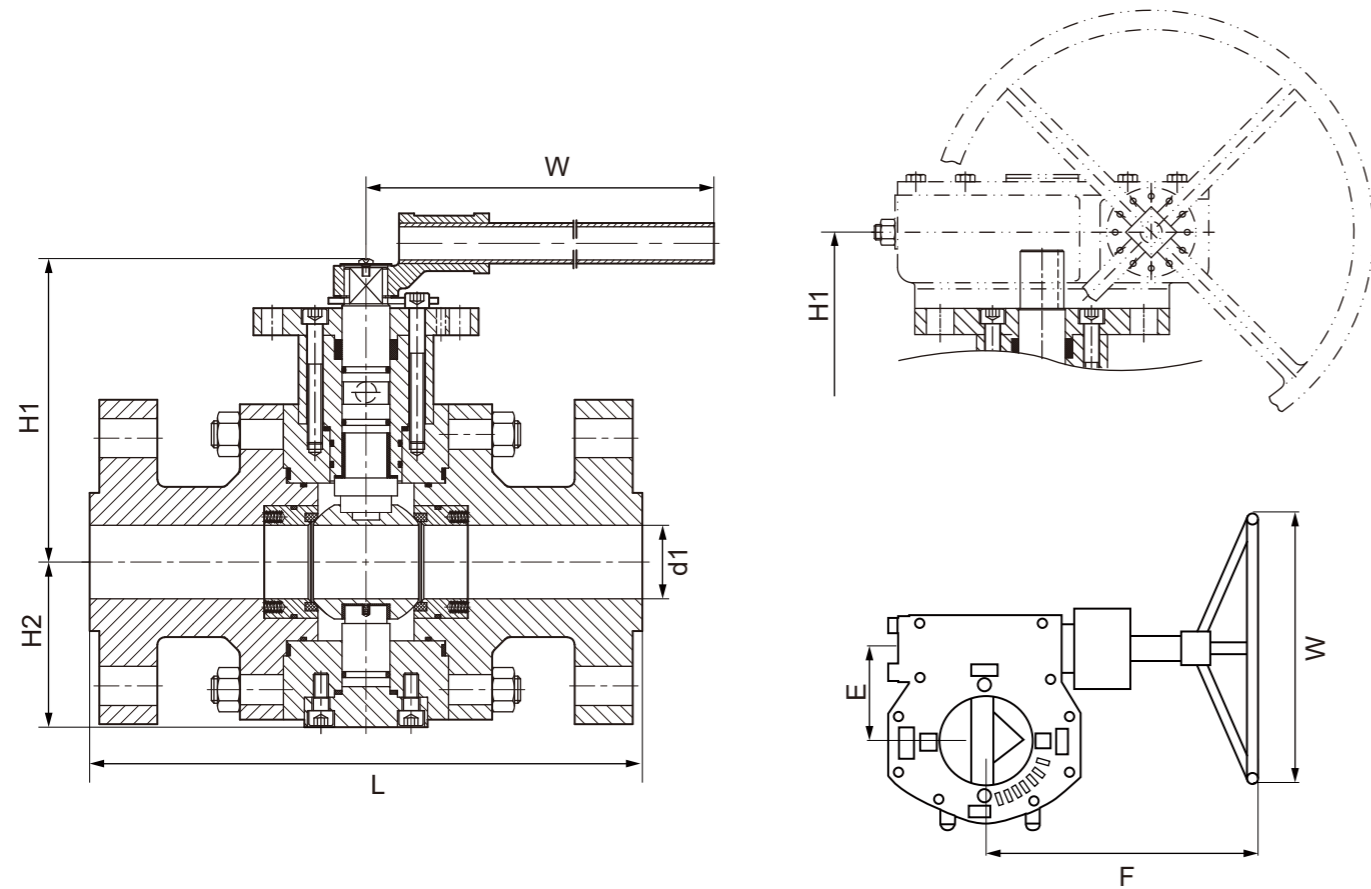
Torque

DN	Size	Unit	Clsss150		Clsss300		Clsss400		Clsss600		Clsss900	
			Formula	Torque at 20 bar	Formula	Torque at 50 bar	Formula	Torque at 64 bar	Formula	Torque at 100 bar	Formula	Torque at 150 bar
150	6	N.m	176+7.36p	355	176+7.36p	612	c	712	176+7.36p	1008	569+9.46p	2243
200	8		415+11.6p	712	415+11.6p	1095	415+11.6p	1272	415+11.6p	2395	982+24.93p	5125
250	10		500+19.1p	970	552+25.4p	2005	552+25.4p	2396	552+25.4p	3401	1318+30.6p	6657
300	12		901+33.8p	1735	901+33.8p	2851	901+33.8p	3370	901+33.8p	4752	2384+54.88p	12410
350	14		973+45p	2060	973+45p	7500	973+45p	4238	1287+61.7p	8155	2896+74.97p	16225
400	16		1582+77.3p	3441	1582+77.3p	5990	1582+77.3p	7182	1582+77.3p	11250	3789+103.4p	23410
450	18		1897+86p	3978	1897+86p	6816	1897+86p	8208	4907+97.3p	16220	4907+116.6p	25125
500	20	2385+108.8p	5017	2385+108.8p	7825	2385+108.8p	10355	5488+141.3p	23040	2385+108.8p	29965	

Parts list



NO.	Description
1	Body
2	Bolt
3	Gasket
4	End Cover
5	Seat Ring
6	Seat
7	O-rings
8	Cover
9	Spring
10	Sliding Bearing
11	A Sphere
12	Stem
13	Antistatic Spring
14	Anti-static Ball
15	O-rings
16	Valve Stem Grease Device
17	Pin
18	Installation Of Flange
19	Bolt
20	Packing
21	O-rings
22	Gland
23	O-rings
24	O-rings
25	Bearing
26	Pressure Relief Device
27	Discharge Hole
28	O-rings
29	Bolt
30	Nut
31	Seat Grease Hole



150LB

DN	d1	L		H1	H2	E	F	W	Wt(kg)
		RF	BW						
2"	51	178	216	80	150	/	/	230	16
2 1/2"	64	191	241	80	150	/	/	400	16
3"	76	203	283	100	200	/	/	400	36
4"	102	229	305	115	240	/	/	650	70
5"	127	356	381	184	300	/	/	1050	88
6"	152	394	457	260	340	/	/	1050	45
8"	203	457	521	300	389	116	350	600	346
10"	254	533	559	325	405	116	350	600	540
12"	305	610	635	365	455	171	420	800	840
14"	337	666	762	400	490	171	420	800	1060
16"	387	762	838	440	550	257	400	800	1380
18"	438	864	914	500	620	257	400	800	1910
20"	489	914	991	555	680	257	400	800	2300
24"	591	1067	1143	700	870	150	410	800	3180
28"	686	1245	1346	780	955	83	650	800	4480

300LB

DN	d1	L		H1	H2	E	F	W	Wt(kg)
		RF	BW						
2"	51	216	216	80	150	/	/	230	33
2 1/2"	64	241	241	80	150	/	/	400	33
3"	76	283	283	100	200	/	/	400	41
4"	102	305	305	115	240	/	/	650	81
5"	127	381	381	184	300	/	/	1050	100
6"	152	403	457	260	340	/	/	1050	155
8"	203	502	521	300	389	116	350	600	260
10"	254	568	559	325	405	116	350	600	585
12"	305	648	635	365	455	171	420	800	890
14"	337	762	762	400	490	171	420	800	1160
16"	387	838	838	440	550	257	400	800	1560
18"	438	914	914	500	620	257	400	800	2420
20"	489	991	991	555	680	257	400	800	2610
24"	591	1143	1143	700	870	150	410	800	5025
28"	686	1346	1346	780	955	83	650	800	5170

400LB

DN	d1	L		H1	H2	E	F	W	Wt(kg)
		RF	BW						
2"	51	292	292	93	190	168	/	/	39
2 1/2"	64	330	330	93	190	155	/	/	39
3"	76	356	356	122	230	197	/	/	83
4"	102	406	406	152	280	235	/	/	120
6"	152	495	495	215	327	300	116	350	301
8"	203	597	597	294	374	374	171	420	520
10"	254	673	673	370	445	445	171	420	760
12"	305	762	762	420	515	512	257	400	1360
14"	337	826	826	460	550	550	257	400	1620
16"	387	902	902	505	615	615	257	400	1860
20"	489	1054	1054	630	810	810	150	410	2900
24"	591	1232	1232	685	845	1010	83	650	3825
28"	686	1397	1397	810	1010	1180	123	735	7030

600LB

DN	d1	L		H1	H2	E	F	W	Wt(kg)
		RF&BW	RJ						
2"	51	292	295	93	190	/	/	400	39
2 1/2"	64	330	333	93	190	/	/	650	39
3"	76	356	359	122	230	/	/	650	83
4"	102	432	435	152	280	/	/	1050	150
6"	152	559	562	215	327	116	350	600	377
8"	203	660	664	294	374	171	420	800	650
10"	254	787	791	370	445	171	420	800	950
12"	305	838	841	420	515	257	400	800	1700
14"	337	889	892	460	550	257	400	800	2050
16"	387	991	994	505	615	257	400	800	2325
20"	489	1194	1200	630	810	150	410	800	3400
24"	591	1397	1407	825	1010	83	650	800	4500
28"	686	1549	1562	970	1180	123	735	800	8280

900LB

DN	d1	L		H1	H2	E	F	W	Wt(kg)
		RF&BW	RJ						
2"	51	368	371	126	217	/	/	650	43
2 1/2"	64	419	422	126	217	116	350	600	43
3"	76	381	384	191	259	116	350	600	65
4"	102	457	460	216	297	116	350	600	102
6"	152	610	613	270	360	171	420	800	254
8"	203	737	740	322	394	171	420	800	562
10"	254	838	841	420	502	257	400	800	671
12"	305	965	968	470	572	169	573	700	1065
14"	324	1029	1038	510	675	42	696	700	1406
16"	375	1130	1140	600	762	42	696	700	1723
18"	426	1219	1232	700	866	72	745	700	2562
20"	473	1321	1334	720	894	72	745	700	3651
24"	572	1549	1569	810	956	91	830	700	4876

1500LB

DN	d1	L		H1	H2	E	F	W	Wt(kg)
		RF&BW	RJ						
2"	51	368	371	126	217	/	/	650	43
2 1/2"	64	419	422	158	241	116	350	600	43
3"	76	470	473	191	259	116	350	600	84
4"	102	546	549	216	297	116	350	600	127
6"	146	705	711	296	365	171	420	800	409
8"	194	832	841	378	475	257	400	800	616
10"	241	991	1000	495	578	169	573	700	1088
12"	289	1130	1146	542	696	42	696	700	682
14"	318	1257	1276	590	761	42	696	700	1959
16"	362	1384	1407	670	831	72	745	700	3485
18"	395	1537	1559	710	900	91	830	700	5191
20"	440	1664	1686	750	950	91	830	700	7940
24"	504	2043	1972	850	1080	280	/	700	10660

2500LB

DN	d1	L		H1	H2	E	F	W	Wt(kg)
		RF&BW	RJ						
2"	42	451	454	236	165	113	236	350	114
2 1/2"	52	508	514	265	185	125	310	350	180
3"	62	578	584	290	210	125	310	460	260
4"	87	673	683	305	230	171	375	600	360
6"	131	914	927	380	295	214	510	600	960
8"	179	1022	1038	455	330	213	532	600	1440
10"	223	1270	1292	515	385	242	557	600	2160
12"	265	1422	1455	550	430	288	579	600	3060