



**Specification**

**DESIGN**

The electro-pneumatic positioner DA is used for the operation of pneumatic linear valve actuators by means of electrical controllers or control systems with an analog output signal of DC 4-20mA

No resonance 5 - 200Hz. Auto/Manual switch. Simple zero and span adjustment. Direct and easy switching between open and close, single and double acting.

Internal feedback signal is available as an option (Water proof only).

For small actuators, vibration can be prevented by narrowing the orifice of the positioner. Low air consumption and Cost-Effective RA v.s. DA action and 1/2 split range setting by simple adjustment.

**INPUT SIGNAL:** 4 - 20mA

**IMPEDANCE:** 250±15 ohm

**INPUT PRESSURE**

0.14-0.7Mpa(1.4 - 7bar)

**STROKE RANGE**

Linear stroke: 10 - 150mm, Rotary stroke: 0 - 90°

**POWER CONNECTION:** PT(NPT)1/4"

**GAUGE CONNECTION:** PT(NPT)1/8"

**CONDUIT:** PF 1/2"(G1/2")

**PROTECTION:** IP66

**EXTERNAL TEMPERATURE RANGE**  
-20°C- 70°C (Other temperatures, please contact)

**LINEARITY:** Single acting:±1%F.S  
Double acting:±2%F.S

**HYSTERESIS:** ±1%F.S

**SENSITIVITY:** Single acting: ±0.2%F.S  
Double acting:±0.5%F.S

**REPEATABILITY:** ±0.5%F.S

**AIR CONSUMPTION:** 3LPM(sup=0.14Mpa)

**FLOW CAPACITY:** 80LPM(sup=0.14Mpa)

**MATERIAL:** Aluminium die-casting

**WEIGHT:** 2.7Kg(6.1 lb)

**OPTION**

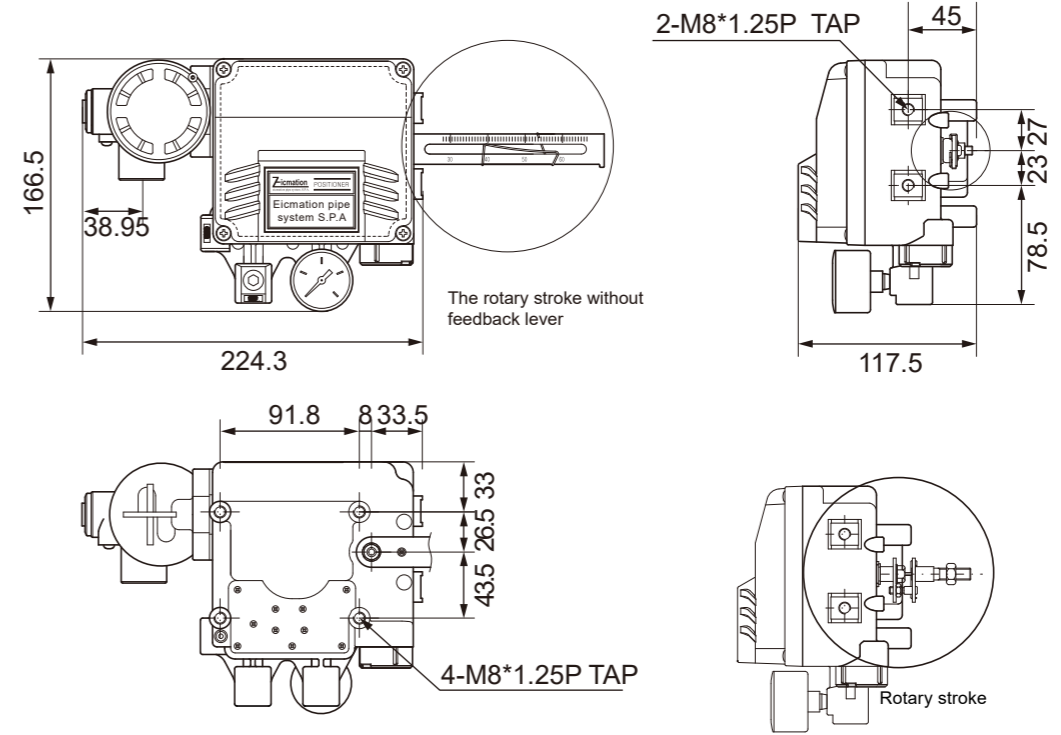
Explosion proof:  
Ex ia IIC T6  
Ex dmb IIC T6  
Valve position feedback, limit switches(Mechanical)



Type:  
DA  
Electro-Pneumatic  
positioner

Linear stroke  
Rotary stroke

**Dimension**



**Ordering example:**e.g. DA11G11A

= Electro-pneumatic positioner,Double acting of linear stroke,10-40mm Feed back lever,PT connection

Positioner

A + B. Product	C. Type	D. Explosion Proof	E. Feed back lever	F. Communication	G. Connection Type	H. Option
DA=Electro-pneumatic positioner	1=Double acting of linear stroke 2=Double acting of rotary stroke (NAMUR) 3=Single acting of linear stroke 4=Single acting of rotary stroke (NAMUR)	1=No 6=Ex ia IIC T6(NEPSI) 7=Ex dmb IIC T5/T6(NEPSI) 8=Ex dm IIB T5(FM)	Linear stroke: G=10-40mm H=30-70mm I =60-100mm J =100-150mm Rotary stroke: K=NAMUR	1=NO	1=PT 2=NPT	A=NO B=Valve position feedback C=Limit switches (mechanical) E=Valve position feedback + Limit switches (mechanical) G=Valve position feed back with liquid crystal display

Note: :

The valve position feedback is limited to rotary stroke and linear stroke rotary not explosion-proof locator.

The limit switch and valve position feedback + limit switch limited to rotary.

The valve position feedback with liquid crystal display is limited to linear stroke.