



Specification

DESIGN

Forged valve body

OPERATION

Rotation of the handle through 90°

CONNECTION

G/NPT/RC/Male thread/ferrule connection/welding

PRESSURE RANGE

1/8" - 3/8"PN 500;
1/2" - 3/4"PN 400;
1" - 2" PN 350;

TEMPERATURE RANGE

POM: -20 - +80°C
PEEK: -40 - +250°C

MATERIALS

Body: A105
F304
F316

Ball: 304
316

Ball seal: POM/PEEK

Valve stem seal: POM/PEEK

Handle: SS

The above information is for reference only and Eicmation reserves the right to alter without prior notice

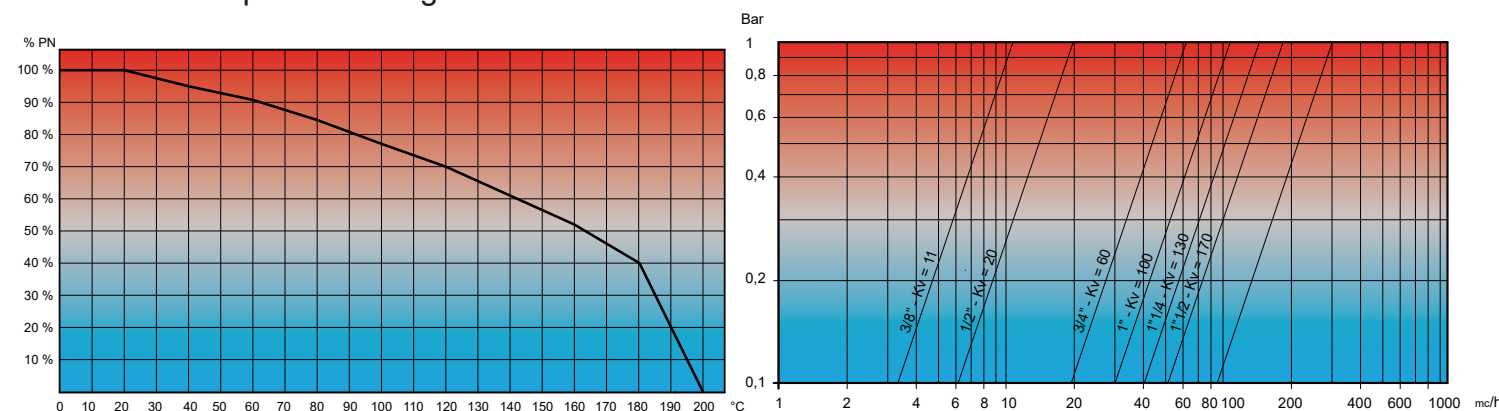


Type:
EAA/EBA/ECA

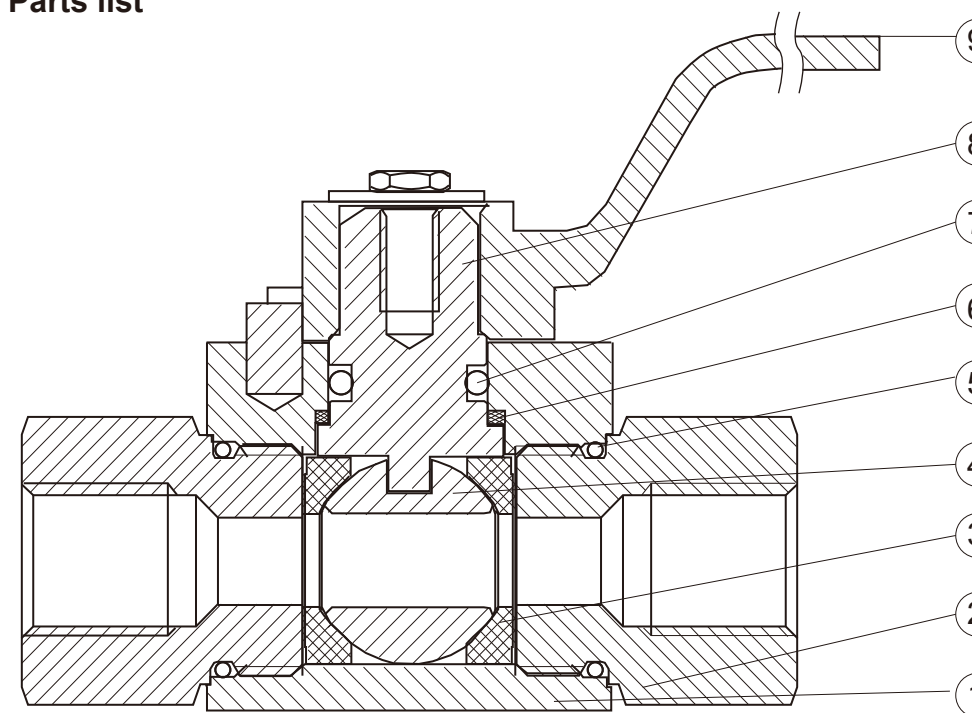
ISO5211 high-pressure ball valve
Manual high-pressure ball valve
Drilling high-pressure ball valve

A105
F304
F316

Pressure - Temperature-Diagram



Parts list



Ordering example: e.g.EBA331A118

=Manual high pressure ball valve,F304/304,POM,PN350,Gthread,DN50

Ball valve

A. Type	B+C. Body/Internal	D. Seal	E. Standard pressure	F. Connection	G + H. Size
EAA=ISO5211 high-pressure valve	23=A105/304 24=A105/316	K=PEEK 1=POM	A=PN350 B=PN400 C=PN500	1=GThread 8=NPT Thread K=Tube S=Butt Weld Y=Male thread R=RC thread	10=1/8" 11=1/4" 12=3/8" 13=1/2" 14=3/4" 15=1" 16=1-1/4" 17=1-1/2" 18=2"
EBA=Manual high-pressure valve	33=F304/304 44=F316/316				
ECA=Drilling high-pressure valve					

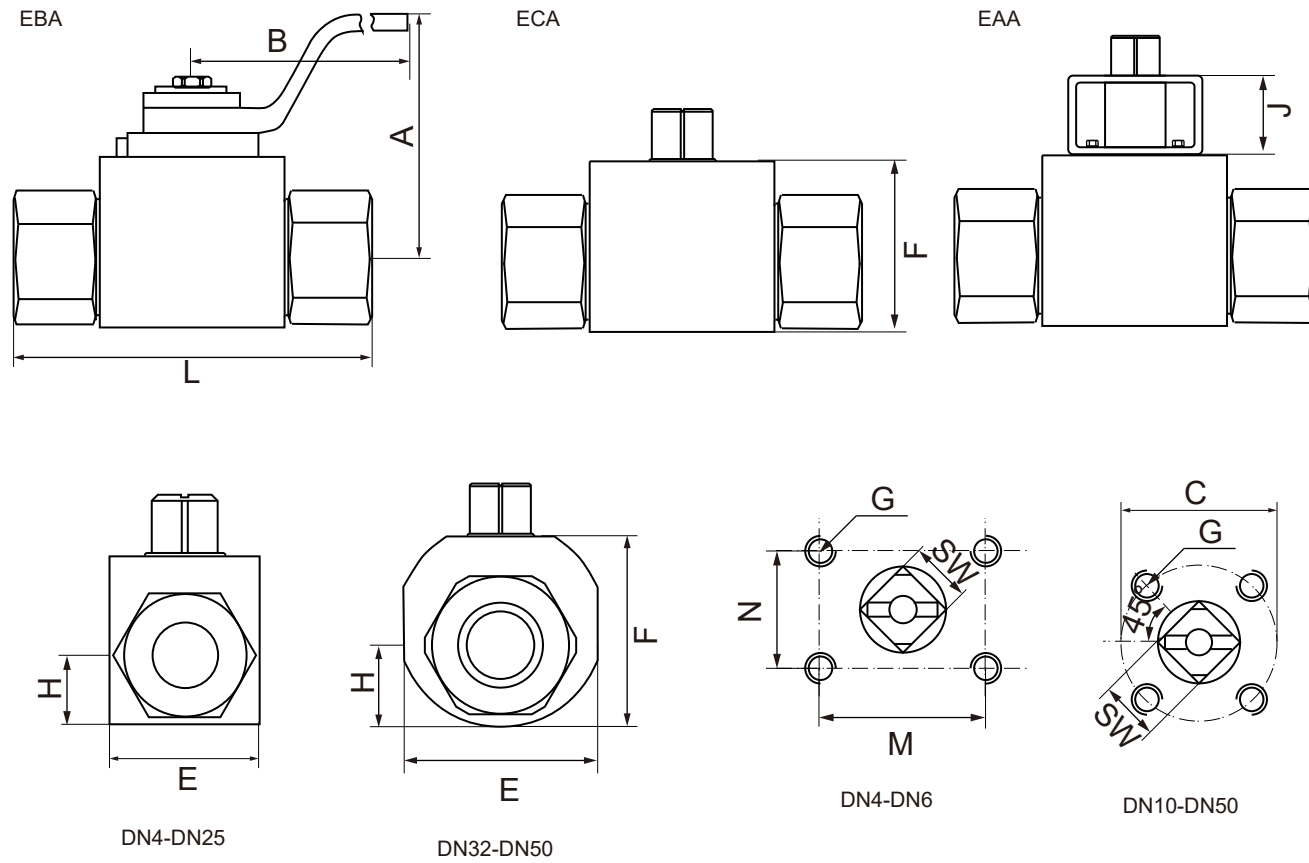
Welding choice example of the ball valve pipe

For example, EAA331B114-25Sx4-SS, said the valve is equipped with 25S series of stainless steel welded pipe, 4, said the wall thickness, SS, said the welding pipe material is F316. EAA331B114-25Sx4-S, said the valve is equipped with 25S series F304 tube.

No.	Description	Material
1	Body	A105
		F304
		F316
2	Cap	A105
		F304 F316
3	Seat	POM PEEK
4	Ball	304 316
5	O-ring	FPM
6	Washer	POM
		PEEK
7	O-ring	FPM
8	Stem	304
		316
9	Handle	SS

Dimension

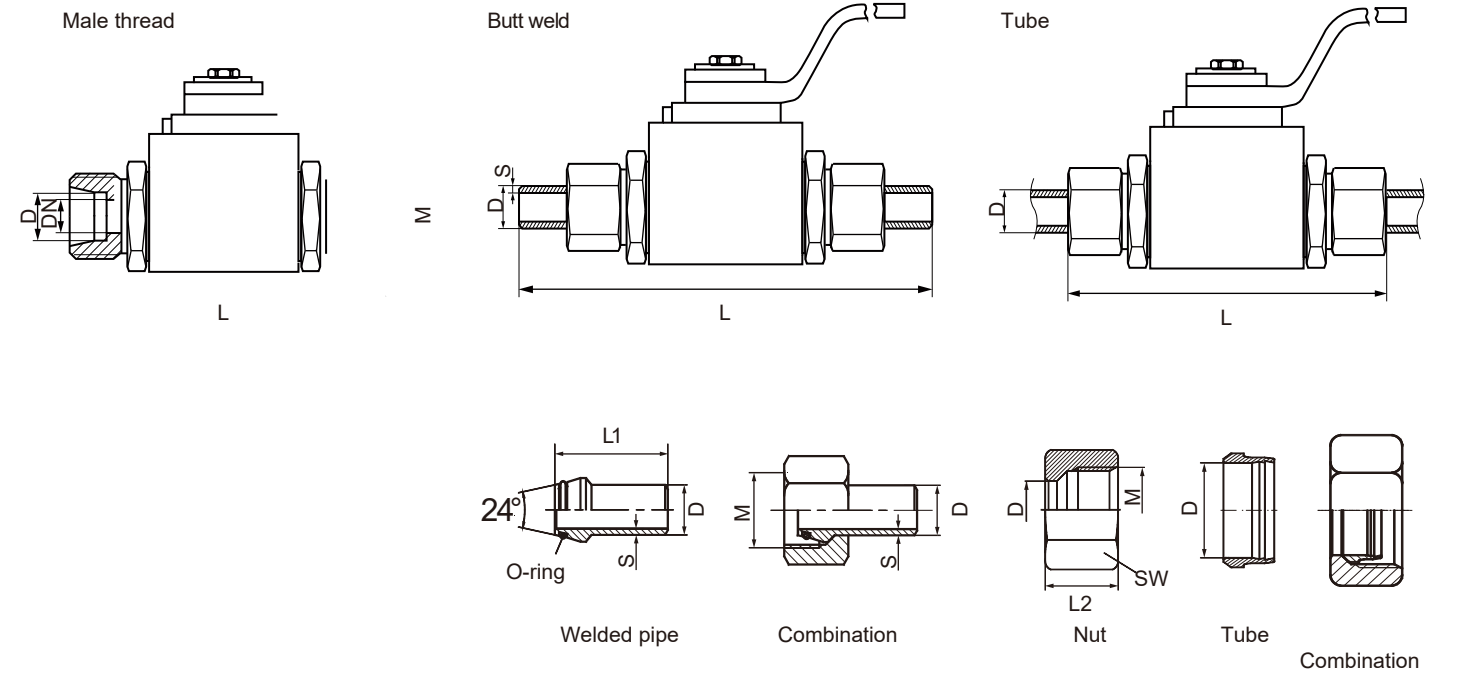
Female



SIZE	DN	L	E	H	F	B	A	M	N	ØC	G	J	SW	Remarks
1/8"	4	69	26	13	32	107	55.5	29	19	-	M5	37	9	-
1/4"	6	69	26	13	32	107	55.5	29	19	-	M5	37	9	-
3/8"	10	73	32	16.5	38	107	58	-	-	36	M5	37	9	-
1/2"	15	85	35	17.5	40	107	59	-	-	36	M5	37	9	-
3/4"	20	96	49	24.5	57	160	78	-	-	50	M6	37	14	-
1"	25	113	55	27.5	61	160	79.5	-	-	50	M6	37	14	-
1 1/4"	32	110	87	39.7	86.5	210	102	-	-	50	M6	40	17	Stainless steel
1 1/2"	40	120	95	44.2	94.2	210	102	-	-	50	M6	40	17	Stainless steel
2"	50	140	110	52.5	110	210	105	-	-	50	M8	40	17	Stainless steel
1 1/4"	32	110	79	39.5	86.3	210	105	-	-	50	M6	40	17	Carbon steel
1 1/2"	40	120	86	43	93	210	113	-	-	50	M6	40	17	Carbon steel
2"	50	140	108	54	111.5	210	113	-	-	50	M6	40	17	Carbon steel

Dimension

Male thread/Butt weld/Tube



DN	Pipe	D	A	B	M	Male thread	Butt Weld				Tube		
						L	L	S	L1	O-ring	L	L2	SW
DN4	06L	6	55.5	107	M12*1.5	67	116	1.5	30	4.5*1.5	83	14.5	14
DN6	08L	8	55.5	107	M14*1.5	67	116	1.5	30	6*1.5	83	14.5	17
DN8	10L	10	55.5	107	M16*1.5	71	122	1.5	31.5	7.5*1.5	86	15.5	19
	12S	12	55.5	107	M20*1.5	77	128	2	31.5	9*1.5	94	17.5	24
DN10	12L	12	58	107	M18*1.5	75	126	1.5	31.5	9*1.5	91	15.5	22
	14S	14	58	107	M22*1.5	84	147	2	37.5	10*2	104	20.5	27
DN13	15L	15	59	107	M22*1.5	84	144	2	36	12*2	102	17	27
	18L	18	59	107	M26*1.5	84	148	2.5	37	15*2	106	18	32
DN16	16S	16	59	107	M24*1.5	87	150	2.5	37.5	12*2	109	20.5	30
	22L	22	82	107	M30*2	88	153	3	38.5	20*2	110	20	36
DN20	20S	20	82	152	M30*2	91	162	3	43.5	16.3*24	113	24	36
	28L	28	78	152	M36*2	106.6	178	4	41.5	26*2	128	21	41
DN25	25S	25	78	160	M36*2	110	190	4	48.5	20.3*2.4	138	27	46
	35L	35	79.5	160	M45*2	114	190	4	47	32*2.5	140	24	50
DN32	30S	30	79.5	160	M42*2	120	206	4	51.5	25.3*2.4	150	29	50
	42L	42	102	210	M52*2	128	205	5	47	38*2.5	-	-	-
DN40	38S	38	102	210	M52*2	140	233	5	55.5	33.3*2.4	-	-	-
	48L	48	105	210	M58*2	150	226	6	47	43*2.5	-	-	-
DN50	50S	50	105	210	M68*2	165	262	7	61	46*3	-	-	-
	60S	60	113	210	M76*2	174	276	7	61	53*3	-	-	-

Above the standard selection, special requirements please call Eicmation consulting.



Specification

DESIGN

Forged valve body

OPERATION

Pneumatic double-acting or single-acting

CONNECTION

G/NPT/RC/Male thread/ferrule connection/welding

PRESSURE RANGE

1/8" - 3/8"PN 500;
1/2" - 3/4"PN 400;
1" - 2" PN 350;

TEMPERATURE RANGE

POM: -20°C- +80°C
PEEK: -40°C- +250°C

MATERIALS

Body: A105
F304
F316

Ball: 304
316

Ball seal: POM/PEEK

Valve stem seal: FPM

EXTERNAL TEMPERATURE RANGE

-20°C - +70°C

PILOT MEDIA

Filtered gases (oil, ash and water removal)

OPTIONS

3/2-ways or 5/2-ways valve, limit switch, indicator, positioner, filter reducer, manual clutch

For further specifications please refer to the ball valve (EAA) and actuator (PA) data sheet

The above information is for reference only and Eicmation reserves the right to alter without prior notice



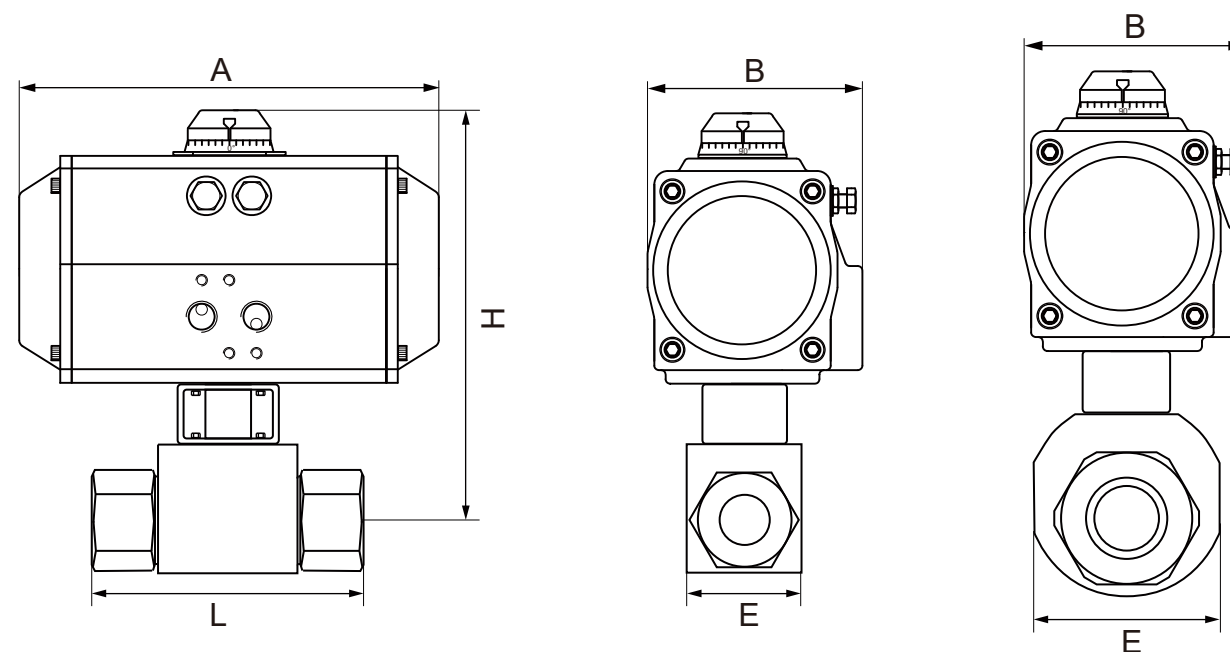
Type:
EAA-PA

Pneumatic high pressure ball valve

A105
F304
F316

Dimension

G/NPT Thread



DN4-DN25

DN32-DN50

Ordering example:

e.g.EAA331A118-PA1115110

=High pressure ball valve,F304/304 ,POM,PN350,Gthread,DN50,Pneumatic actuator,Double action,Anodising aluminum,Piston Ø75mm,NBR, Gear, 0°-90°
Ball valve

A. Type	B+C. Body	D. Seal	E. Standard pressure	F. Connection	G + H. Size
EBA=ISO5211 High pressure ball valve	23=A105/304 24=A105/316 33=F304/304 44=F316/316	K=PEEK 1=POM	A=PN350 B=PN400 C=PN500	1=GThread 8=NPT Thread K=Tube S=Butt weld Y=Male thread R=RC thread	10=1/8" 11=1/4" 12=3/8" 13=1/2" 14=3/4" 15=1" 16=1-1/4" 17=1-1/2" 18=2"

Actuator

I. Type	J. Function	K. Material	L + M. Specifications		N. Seal	O. Structure	P. Trip
PA=Pneumatic actuator	1=Double action 2=Single action-close 3=Single action-open	1=Aluminium alloy 2=Stainless steel	13=Ø52 14=Ø63 15=Ø75 16=Ø83 17=Ø92 18=Ø105 19=Ø125 20=Ø140 21=Ø160	22=Ø190 23=Ø210 24=Ø240 25=Ø270 26=Ø300 27=Ø350 28=Ø400	1=NBR 2=HNBR 3=FKM	1=Gear	0=0-90° 1=0-120° 2=0-135° 3=0-150° 4=0-180° 5=0-270°

Welding choice example of the ball valve pipe

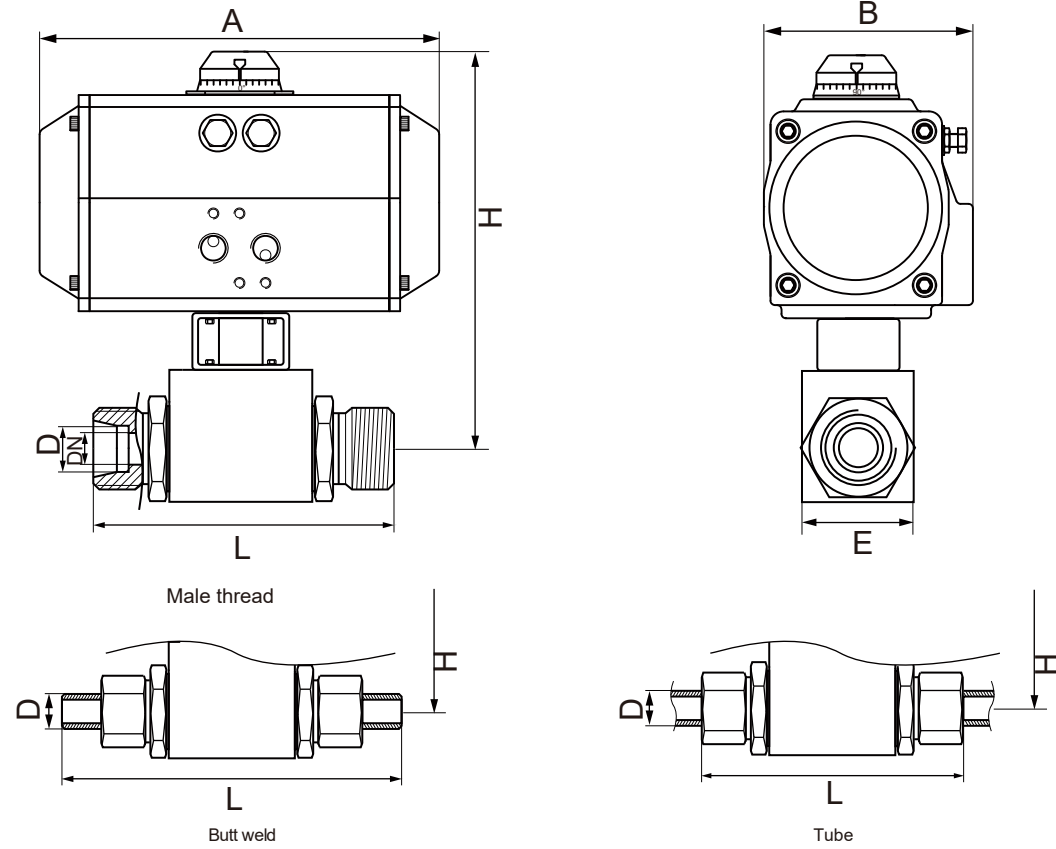
For example, EAA331B114-25SX4-SS, said the valve is equipped with 25S series of stainless steel welded pipe, 4, said the wall thickness, SS, said the welding pipe material is 316SS. EAA331B114-25SX4-S, said the valve is equipped with 25S series 304SS take over. EAA331B114-25SX4, said the valve is equipped with a series of 25S carbon steel tube.

SIZE	DN	POM					PEEK					L	E	Remarks
		Actuator		A	B	H	Actuator		A	B	H			
		Model	Specification				Model	Specification						
1/8"	4	PA1113110	Ø52	147	72	158	PA1113110	Ø52	147	72	158	69	26	-
1/8"	4	PA2113110	Ø52	147	72	158	PA2114110	Ø63	166	83	174	69	26	-
1/4"	6	PA1113110	Ø52	147	72	158	PA1113110	Ø52	147	72	158	69	26	-
1/4"	6	PA2113110	Ø52	147	72	158	PA2114110	Ø63	166	83	174	69	26	-
3/8"	10	PA1113110	Ø52	147	72	160.5	PA1113110	Ø52	147	72	160.5	73	32	-
3/8"	10	PA2114110	Ø63	166	83	176.5	PA2115110	Ø75	184	95	188.5	73	32	-
1/2"	15	PA1113110	Ø52	147	72	161.5	PA1114110	Ø63	166	83	177.5	85	35	-
1/2"	15	PA2115110	Ø75	184	95	189.5	PA2115110	Ø75	184	95	189.5	85	35	-
3/4"	20	PA1114110	Ø63	166	83	187.5	PA1115110	Ø75	184	95	199.5	96	49	-
3/4"	20	PA2116110	Ø83	204	103	208.5	PA2116110	Ø83	204	103	208.5	96	49	-
1"	25	PA1115110	Ø75	184	95	200.5	PA1116110	Ø83	204	103	209.5	113	55	-
1"	25	PA2116110	Ø83	204	103	209.5	PA2117110	Ø92	262	109	217.5	113	55	-
1 1/4"	32	PA1116110	Ø83	204	103	225.8	PA1117110	Ø92	262	109	233.8	110	87	Stainless steel
1 1/4"	32	PA2117110	Ø92	262	109	233.8	PA2118110	Ø105	268	121	249.8	110	87	Stainless steel
1 1/2"	40	PA1117110	Ø92	262	109	237	PA1118110	Ø105	268	121	253	120	95	Stainless steel
1 1/2"	40	PA2118110	Ø105	268	121	253	PA2119110	Ø125	301	143	275	120	95	Stainless steel
2"	50	PA1118110	Ø105	268	121	260.5	PA1118110	Ø105	268	121	260.5	140	110	Stainless steel
2"	50	PA2119110	Ø125	301	143	282.5	PA2119110	Ø125	301	143	282.5	140	110	Stainless steel
1 1/4"	32	PA1116110	Ø83	204	103	225.8	PA1117110	Ø92	262	109	233.8	110	79	Carbon steel
1 1/4"	32	PA2117110	Ø92	262	109	233.8	PA2118110	Ø105	268	121	249.8	110	79	Carbon steel
1 1/2"	40	PA1117110	Ø92	262	109	237	PA1118110	Ø105	268	121	253	120	86	Carbon steel
1 1/2"	40	PA2118110	Ø105	268	121	253	PA2119110	Ø125	301	143	275	120	86	Carbon steel
2"	50	PA1118110	Ø105	268	121	260.5	PA1118110	Ø105	268	121	260.5	140	108	Carbon steel
2"	50	PA2119110	Ø125	301	143	282.5	PA2119110	Ø125	301	143	282.5	140	108	Carbon steel

Note:Details please refer to EAA ISO5211 high-pressure ball valve;
Above information is under normal working conditon, Please consult the technical department in case of special working conditions

Dimension

Male thread/Butt weld/Tube



DN	Pipe	D	POM			PEEK			L			E	Remarks				
			Actuator		A	B	H	Actuator		A	B			H			
			Model	Specification				Model	Specification						Male thread	Butt Weld	Tube
DN4	06L	6	PA1113110	Ø52	147	72	158	PA1113110	Ø52	147	72	158	67	116	83	26	-
	06L	6	PA2113110	Ø52	147	72	158	PA2114110	Ø63	166	83	174	67	116	83	26	-
DN6	08L	8	PA1113110	Ø52	147	72	158	PA1113110	Ø52	147	72	158	67	116	83	26	-
	08L	8	PA2113110	Ø52	147	72	158	PA2114110	Ø63	166	83	174	67	116	83	26	-
DN8	10L	10	PA1113110	Ø52	147	72	158	PA1113110	Ø52	147	72	158	71	122	86	26	-
	10L	10	PA2114110	Ø63	166	83	174	PA2115110	Ø75	184	95	186	71	122	86	26	-
	12S	12	PA1113110	Ø52	147	72	158	PA1113110	Ø52	147	72	158	77	128	94	26	-
	12S	12	PA2114110	Ø63	166	83	174	PA2115110	Ø75	184	95	186	77	128	94	26	-
DN10	12L	12	PA1113110	Ø52	147	72	160.5	PA1113110	Ø52	147	72	160.5	75	126	91	32	-
	12L	12	PA2114110	Ø63	166	83	176.5	PA2115110	Ø75	184	95	188.5	75	126	91	32	-
	14S	14	PA1113110	Ø52	147	72	160.5	PA1113110	Ø52	147	72	160.5	84	147	104	32	-
	14S	14	PA2114110	Ø63	166	83	176.5	PA2115110	Ø75	184	95	188.5	84	147	104	32	-
DN13	15L	15	PA1113110	Ø52	147	72	161.5	PA1114110	Ø63	166	83	177.5	84	144	102	35	-
	15L	15	PA2115110	Ø75	184	95	189.5	PA2115110	Ø75	184	95	189.5	84	144	102	35	-
	18L	18	PA1113110	Ø52	147	72	161.5	PA1114110	Ø63	166	83	177.5	84	148	106	35	-
	18L	18	PA2115110	Ø75	184	95	189.5	PA2115110	Ø75	184	95	189.5	84	148	106	35	-
	16S	16	PA1113110	Ø52	147	72	161.5	PA1114110	Ø63	166	83	177.5	87	150	109	35	-
	16S	16	PA2115110	Ø75	184	95	189.5	PA2115110	Ø75	184	95	189.5	87	150	109	35	-

Dimension

DN	Pipe	D	POM			PEEK			L			E	Remarks				
			Actuator		A	B	H	Actuator		A	B			H			
			Model	Specification				Model	Specification						Male thread	Butt Weld	Tube
DN16	22L	22	PA1114110	Ø63	166	83	182	PA1115110	Ø75	184	95	194	88	153	110	38	-
	22L	22	PA2115110	Ø75	184	95	194	PA2116110	Ø83	204	103	203	88	153	110	38	-
	20S	20	PA1114110	Ø63	166	83	182	PA1115110	Ø75	184	95	194	91	162	113	38	-
	20S	20	PA2115110	Ø75	184	95	194	PA2116110	Ø83	204	103	203	91	162	113	38	-
DN20	28L	28	PA1114110	Ø63	166	83	187.5	PA1115110	Ø75	184	95	199.5	106.6	178	128	49	-
	28L	28	PA2116110	Ø83	204	103	208.5	PA2116110	Ø83	204	103	208.5	106.6	178	128	49	-
	25S	25	PA1114110	Ø63	166	83	187.5	PA1115110	Ø75	184	95	199.5	110	190	138	49	-
	25S	25	PA2116110	Ø83	204	103	208.5	PA2116110	Ø83	204	103	208.5	110	190	138	49	-
DN25	35L	35	PA1115110	Ø75	184	95	200.5	PA1116110	Ø83	204	103	200.5	114	190	140	55	-
	35L	35	PA2116110	Ø83	204	103	209.5	PA2117110	Ø92	262	109	217.5	114	190	140	55	-
	30S	30	PA1115110	Ø75	184	95	200.5	PA1116110	Ø83	204	103	200.5	120	206	150	55	-
	30S	30	PA2116110	Ø83	204	103	209.5	PA2117110	Ø92	262	109	217.5	120	206	150	55	-
DN32	42L	42	PA1116110	Ø83	204	103	226	PA1117110	Ø92	262	109	234	128	205	-	87	Stainless steel
	42L	42	PA2117110	Ø92	262	109	234	PA2118110	Ø105	268	121	250	128	205	-	87	Stainless steel
	38S	38	PA1116110	Ø83	204	103	226	PA1117110	Ø92	262	109	234	140	233	-	87	Stainless steel
	38S	38	PA2117110	Ø92	262	109	234	PA2118110	Ø105	268	121	250	140	233	-	87	Stainless steel
DN40	48L	48	PA1117110	Ø92	262	109	237	PA1118110	Ø105	268	121	253	150	226	-	95	Stainless steel
	48L	48	PA2118110	Ø105	268	121	253	PA2119110	Ø125	301	143	275	150	226	-	95	Stainless steel
	50S	50	PA1117110	Ø92	262	109	237	PA1118110	Ø105	268	121	253	165	262	-	95	Stainless steel
	50S	50	PA2118110	Ø105	268	121	253	PA2119110	Ø125	301	143	275	165	262	-	95	Stainless steel
DN50	60S	60	PA1118110	Ø105	268	121	261	PA1118110	Ø105	268	121	261	174	276	-	1100	Stainless steel
	60S	60	PA2119110	Ø125	301	143	283	PA2119110	Ø125	301	143	283	174	276	-	1100	Stainless steel
DN32	42L	42	PA1116110	Ø83	204	103	226	PA1117110	Ø92	262	109	234	128	205	-	79	Carbon steel
	42L	42	PA2117110	Ø92	262	109	234	PA2118110	Ø105	268	121	250	128	205	-	79	Carbon steel
	38S	38	PA1116110	Ø83	204	103	226	PA1117110	Ø92	262	109	234	140	233	-	79	Carbon steel
	38S	38	PA2117110	Ø92	262	109	234	PA2118110	Ø105	268	121	250	140	233	-	79	Carbon steel
DN40	48L	48	PA1117110	Ø92	262	109	237	PA1118110	Ø105	268	121	253	150	226	-	86	Carbon steel
	48L	48	PA2118110	Ø105	268	121	253	PA2119110	Ø125	301	143	275	150	226	-	86	Carbon steel
	50S	50	PA1117110	Ø92	262	109	237	PA1118110	Ø105	268	121	253	165	262	-	86	Carbon steel
	50S	50	PA2118110	Ø105	268	121	253	PA2119110	Ø125	301	143	275	165	262	-	86	Carbon steel
DN50	60S	60	PA1118110	Ø105	268	121	261	PA1118110	Ø105	268	121	261	174	276	-	108	Carbon steel
	60S	60	PA2119110	Ø125	301	143	283	PA2119110	Ø125	301	143	283	174	276	-	108	Carbon steel

Note: Details please refer to EAA ISO5211 high-pressure ball valve;
Above information is under normal working condition, Please consult the technical department in case of special working conditions



Specification

DESIGN

Forged valve body

OPERATION

Electric with handle operation

CONNECTION

G/NPT/RC/Male thread/ferrule connection/welding

PRESSURE RANGE

1/8" - 3/8"PN 500;
1/2" - 3/4"PN 400;
1" - 2" PN 350;

TEMPERATURE RANGE

POM: -20°C- +80°C
PEEK: -40°C- +250°C

MATERIALS

Body: A105
F304
F316

Ball: 304
316

Ball seal: POM/PEEK

Valve stem seal: FPM

OPTIONAL VOLTAGE

24V DC,24V AC,110V AC
220V AC,380V AC

PROTECTION

IP 67

STANDARD EQUIPMENT

additional limit switches, optical position indicator,
manual override

OPTIONS

Dehumidification heater
Overtorque protection
Modulate type 4-20mA
Exd IIB T4

For more requests please contact us

For further specifications please refer to the ball valve (EAA) and actuator (KL) data sheet

The above information is for reference only and Eicmation reserves the right to alter without prior notice



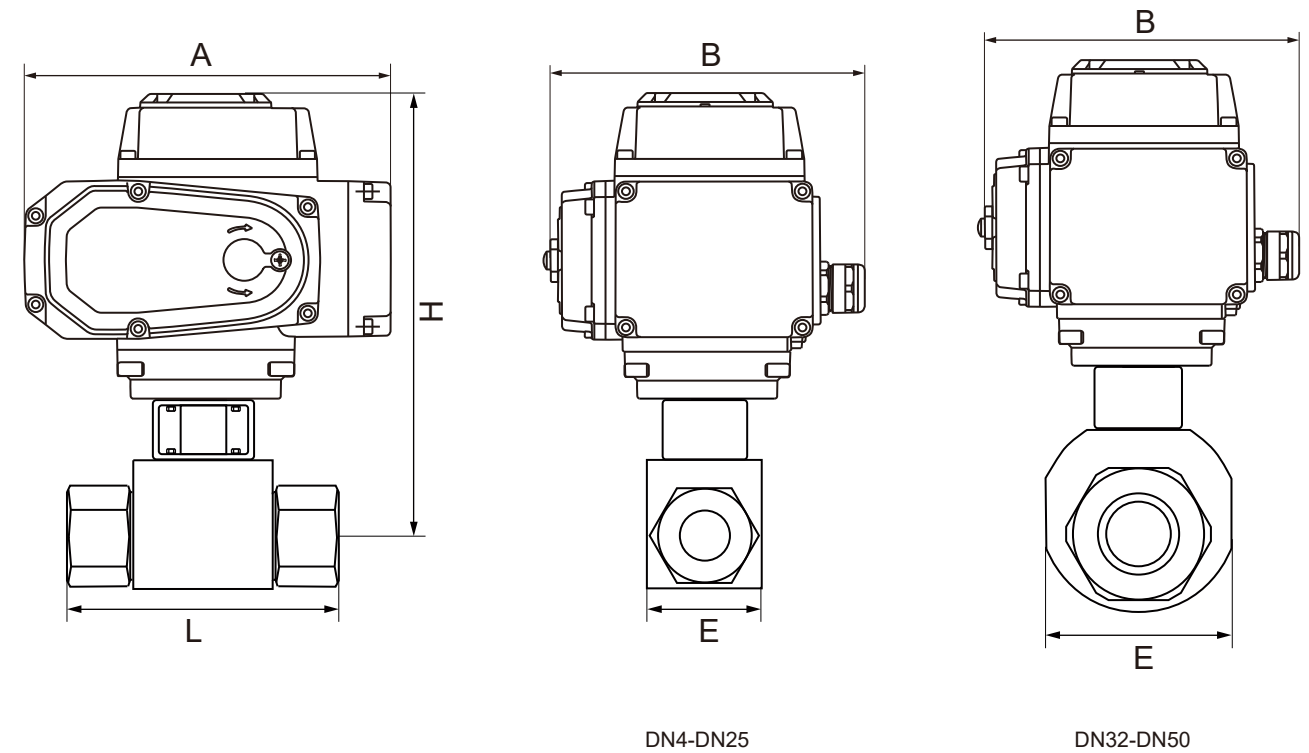
Type:
EAA-KL

Electric high pressure ball valve

A105
F304
F316

Dimension

G/NPT Thread



Ordering example:e.g.EBA331A118

=High pressure ball valve,F304/304,POM,PN350,Gthread,DN50,Electric actuator 50Nm,380V AC,Explosion proof grade IP67 , On/Off+Limit switch, Ball valve

A. Type	B+C. Body	D. Seal	E. Standard pressure	F. Connection	G + H. Size
EBA=ISO5211 High pressure ball valve	23=A105/304 24=A105/316 33=F304/304 44=F316/316	K=PEEK 1=POM	A=PN350 B=PN400 C=PN500	1=GThread 8=NPT Thread K=Clamp S=Weld Y=Male thread R=RC thread	10=1/8" 11=1/4" 12=3/8" 13=1/2" 14=3/4" 15=1" 16=1-1/4" 17=1-1/2" 18=2"

Actuator

I. Type	J. Voltage	K. Explosion proof grade	L+M. Torque(NM)	N. Extra	O. Spare
KL=Basic angle stroke Electric actuator	1=24V DC 2=24V AC 3=110V AC 4=220V AC 5=380V AC	1=None 2=Exd II BT4 (50-600NM)	11=50 13=100 15=200 17=400 19=600 21=1000 23=2000	1=On/Off type +Limit switch 2=Modulate type 4~20mA	1=No 2=1K~10K potentiometer 3=Current position sensor 4~20mA 4=Overload protection (200-2000NM) 8=Arefaction protect

Welding choice example of the ball valve pipe

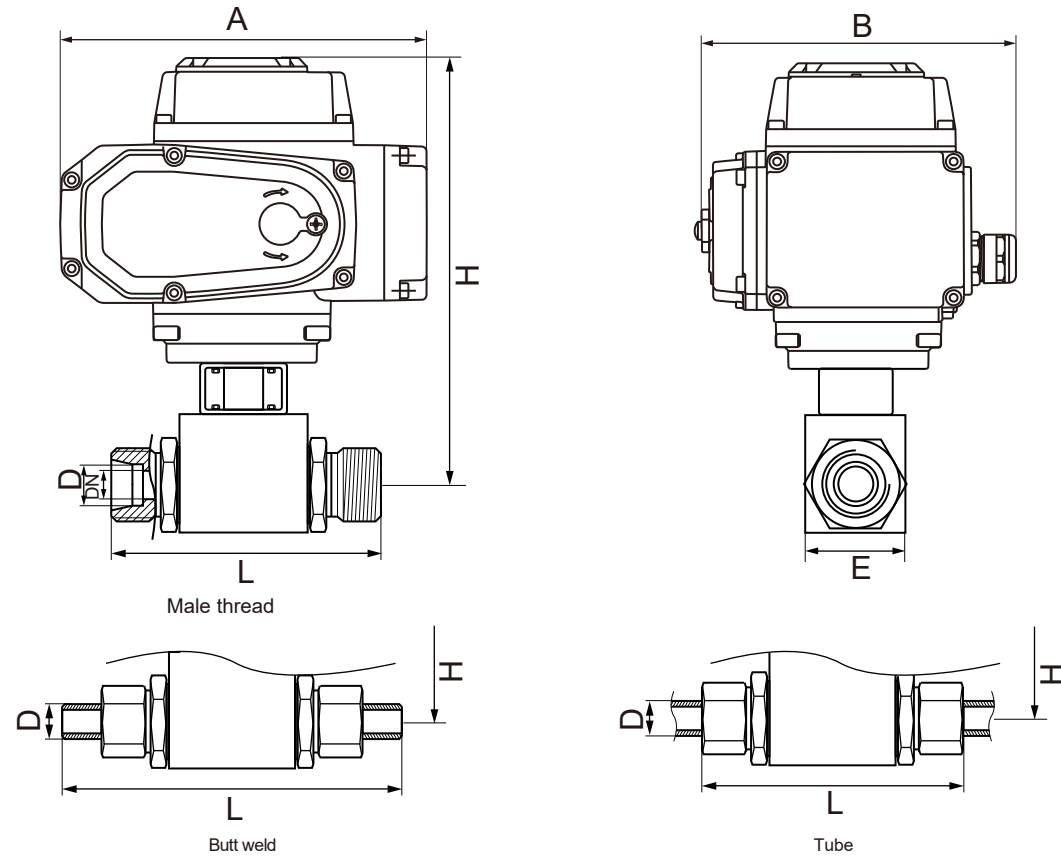
For example, EAA331B114-25SX4-SS, said the valve is equipped with 25S series of stainless steel welded pipe, 4, said the wall thickness, SS, said the welding pipe material is 316SS. EAA331B114-25SX4-S, said the valve is equipped with 25S series 304SS take over. EAA331B114-25SX4, said the valve is equipped with a series of 25S carbon steel tube.

SIZE	DN	POM/PEEK					L	E	Remarks
		Actuator		A	B	H			
		Model	Torque(NM)						
1/8"	4	KL111111	50	165	140.5	193.5	69	26	-
1/8"	4	KL121111	50	170.5	120.5	206	69	26	-
1/4"	6	KL111111	50	165	140.5	193.5	69	26	-
1/4"	6	KL121111	50	170.5	120.5	206	69	26	-
3/8"	10	KL111111	50	165	140.5	196	73	32	-
3/8"	10	KL121111	50	170.5	120.5	208.5	73	32	-
1/2"	15	KL111111	50	165	140.5	197	85	35	-
1/2"	15	KL121111	50	170.5	120.5	209.5	85	35	-
3/4"	20	KL111111	50	165	140.5	207	96	49	-
3/4"	20	KL121111	50	170.5	120.5	219.5	96	49	-
1"	25	KL111111	50	165	140.5	208	113	55	-
1"	25	KL121111	50	170.5	120.5	220.5	113	55	-
1 1/4"	32	KL111311	100	211.5	154	255.3	110	87	Stainless steel
1 1/4"	32	KL121311	100	217.5	139	268.8	110	87	Stainless steel
1 1/2"	40	KL111311	100	211.5	154	258.5	120	95	Stainless steel
1 1/2"	40	KL121311	100	217.5	139	272	120	95	Stainless steel
2"	50	KL111311	100	211.5	154	266	140	110	Stainless steel
2"	50	KL121311	100	217.5	139	279.5	140	110	Stainless steel
1 1/4"	32	KL111311	100	211.5	154	255.3	110	79	Carbon steel
1 1/4"	32	KL121311	100	217.5	139	268.8	110	79	Carbon steel
1 1/2"	40	KL111311	100	211.5	154	258.5	120	86	Carbon steel
1 1/2"	40	KL121311	100	217.5	139	272	120	86	Carbon steel
2"	50	KL111311	100	211.5	154	266	140	108	Carbon steel
2"	50	KL121311	100	217.5	139	279.5	140	108	Carbon steel

Note:Details please refer to EAA ISO5211 high-pressure ball valve;
Above information is under normal working conditon, Please consult the technical department in case of special working conditions

Dimension

Male thread/Butt weld/Tube



DN	Pipe	D	POMPEEK					L			E	Remarks
			Actuator		A	B	H	Male thread	Butt Weld	Tube		
			Model	Torque(NM)								
DN4	06L	6	KL111111	50	165	141	193.5	67	116	83	26	-
	06L	6	KL121111	50	171	121	206	67	116	83	26	-
DN6	08L	8	KL111111	50	165	141	193.5	67	116	83	26	-
	08L	8	KL121111	50	171	121	206	67	116	83	26	-
DN8	10L	10	KL111111	50	165	141	193.5	71	122	86	26	-
	10L	10	KL121111	50	171	121	206	71	122	86	26	-
	12S	12	KL111111	50	165	141	193.5	77	128	94	26	-
	12S	12	KL121111	50	171	121	206	77	128	94	26	-
DN10	12L	12	KL111111	50	165	141	196	75	126	91	32	-
	12L	12	KL121111	50	171	121	208.5	75	126	91	32	-
	14S	14	KL111111	50	165	141	196	84	147	104	32	-
	14S	14	KL121111	50	171	121	208.5	84	147	104	32	-
DN13	15L	15	KL111111	50	165	141	197	84	144	102	35	-
	15L	15	KL121111	50	171	121	209.5	84	144	102	35	-
	18L	18	KL111111	50	165	141	197	84	148	106	35	-
	18L	18	KL121111	50	171	121	209.5	84	148	106	35	-
	16S	16	KL111111	50	165	141	197	87	150	109	35	-
	16S	16	KL121111	50	171	121	209.5	87	150	109	35	-

Note:Details please refer to EAA ISO5211 high-pressure ball valve;
Above information is under normal working conditon, Please consult the technical department in case of special working conditions

DN	Pipe	D	POMPEEK					L			E	Remarks
			Actuator		A	B	H	Male thread	Butt Weld	Tube		
			Model	Torque(NM)								
DN16	22L	22	KL111111	50	165	141	201.5	88	153	110	38	-
	22L	22	KL121111	50	171	121	214	88	153	110	38	-
	20S	20	KL111111	50	165	141	201.5	91	162	113	38	-
	20S	20	KL121111	50	171	121	214	91	162	113	38	-
DN20	28L	28	KL111111	50	165	141	207	106.6	178	128	49	-
	28L	28	KL121111	50	171	121	219.5	106.6	178	128	49	-
	25S	25	KL111111	50	165	141	207	110	190	138	49	-
	25S	25	KL121111	50	171	121	219.5	110	190	138	49	-
DN25	35L	35	KL111111	50	165	141	208	114	190	140	55	-
	35L	35	KL121111	50	171	121	220.5	114	190	140	55	-
	30S	30	KL111111	50	165	141	208	120	206	150	55	-
	30S	30	KL121111	50	171	121	220.5	120	206	150	55	-
DN32	42L	42	KL111311	100	211.5	154	255	128	205	-	87	Stainless steel
	42L	42	KL121311	100	217.5	139	269	128	205	-	87	Stainless steel
	38S	38	KL111311	100	211.5	154	255	140	233	-	87	Stainless steel
	38S	38	KL121311	100	217.5	139	269	140	233	-	87	Stainless steel
DN40	48L	48	KL111311	100	211.5	154	259	150	226	-	95	Stainless steel
	48L	48	KL121311	100	217.5	139	272	150	226	-	95	Stainless steel
	50S	50	KL111311	100	211.5	154	259	165	262	-	95	Stainless steel
	50S	50	KL121311	100	217.5	139	272	165	262	-	95	Stainless steel
DN50	60S	60	KL111311	100	211.5	154	266	174	276	-	1100	Stainless steel
	60S	60	KL121311	100	217.5	139	280	174	276	-	1100	Stainless steel
DN32	42L	42	KL111311	100	211.5	154	255	128	205	-	79	Carbon steel
	42L	42	KL121311	100	217.5	139	269	128	205	-	79	Carbon steel
	38S	38	KL111311	100	211.5	154	255	140	233	-	79	Carbon steel
	38S	38	KL121311	100	217.5	139	269	140	233	-	79	Carbon steel
DN40	48L	48	KL111311	100	211.5	154	259	150	226	-	86	Carbon steel
	48L	48	KL121311	100	217.5	139	272	150	226	-	86	Carbon steel
	50S	50	KL111311	100	211.5	154	259	165	262	-	86	Carbon steel
	50S	50	KL121311	100	217.5	139	272	165	262	-	86	Carbon steel
DN50	60S	60	KL111311	100	211.5	154	266	174	276	-	108	Carbon steel
	60S	60	KL121311	100	217.5	139	280	174	276	-	108	Carbon steel

Note:Details please refer to EAA ISO5211 high-pressure ball valve;
Above information is under normal working conditon, Please consult the technical department in case of special working conditions