

规格

设计
阀体由三部分组成, 全通直径

操作
手柄90°旋转

连接
G/NPT内螺纹,承插焊1/4"-4"DIN259,
DIN2999,ISO228
对焊1/4"-4"DIN2463, ISO1127,ANSI B36.19

压力范围
1000PSI/2000PSI
(请参照压力-温度图)

公称压力
1000PSI/2000PSI

温度范围
PTFE: -30°C - +180°C
S-PTFE: -30°C - +200°C
R-PTFE: -30°C - +200°C

材料
阀体: WCB
CF8
CF8M

球芯: 304
316

球芯密封: PTFE/S-PTFE/R-PTFE

阀杆密封: PTFE/S-PTFE/R-PTFE

手柄: 不锈钢

Specification

DESIGN
The valve body consists of three parts,full bore

OPERATION
Rotation of the handle through 90°

CONNECTION
G/NPT female thread,Socket weld 1/4"-4"
DIN259,DIN2999,ISO228
Butt weld 1/4"-4"DIN2463, ISO1127,ANSI B36.19

PRESSURE RANGE
1000PSI/2000PSI
(Please refer to manual pressure-temperature chart)

NOMINAL PRESSURE
1000PSI/2000PSI

TEMPERATURE RANGE
PTFE: -30°C - +180°C
S-PTFE: -30°C - +200°C
R-PTFE: -30°C - +200°C

MATERIALS
Body: WCB
CF8
CF8M

Ball: CF8
CF8M

Ball seal: PTFE/S-PTFE/R-PTFE

Valve stem seal: PTFE/S-PTFE/R-PTFE

Handle: SS

型号:
AAA

三片式手动球阀
全通径
1000PSI/2000PSI

WCB
CF8
CF8M



Type:
AAA

Handle 3-piece ball valve
Full bore
1000PSI/2000PSI

WCB
CF8
CF8M

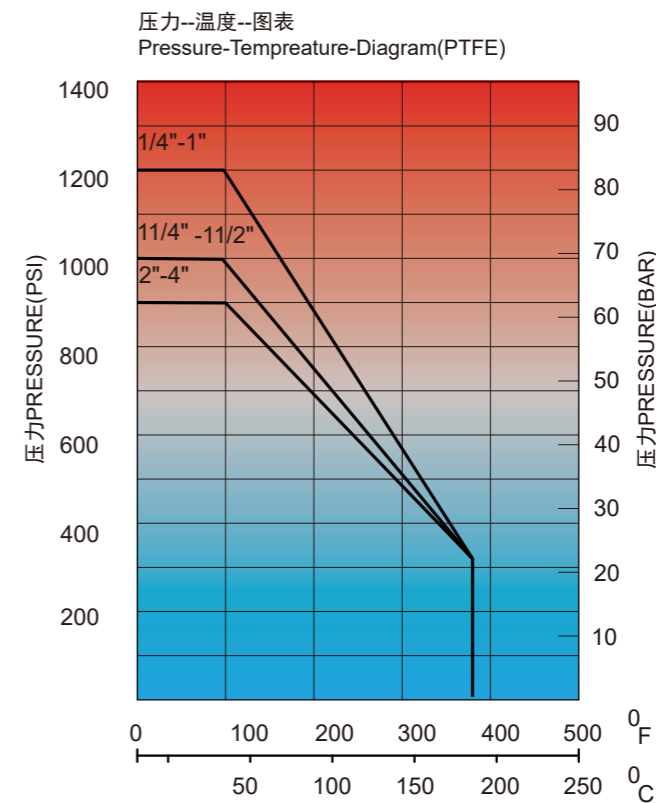
举例说明: 比如 AAA232E118
=三片式手动球阀, WCB/304, PTFE, 1000 PSI, G螺纹连接, DN50
球阀

1.字符 产品	2+3.字符 阀体/内件	4.字符 密封	5.字符 压力标准	6.字符 连接	7 + 8.字符 口径
AAA=三片式手动球阀 全通径	23=WCB/304 24=WCB/316 33=CF8/304 44=CF8M/316	2=PTFE 3=R-PTFE 9=S-PTFE	E=1000PSI F=2000PSI	1=G螺纹 4=承插焊 8 NPT螺纹 S=对焊	11=1/4" 19=2-1/2" 12=3/8" 20=3" 13=1/2" 21=4" 14=3/4" 15=1" 16=1-1/4" 17=1-1/2" 18=2"

Ordering example: e.g. AAA232E118
= 3-piece manual ball valve,WCB/304 ,PTFE,1000 PSI,GThread,DN50
Ball valve

A. Type	B+C. Body/Trim	D. Sealing	E. Pressure	F. Connection	G + H. Size
AAA=3-piece manual ball valve Full bore	23=WCB/304 24=WCB/316 33=CF8/304 44=CF8M/316	2=PTFE 3=R-PTFE 9=S-PTFE	E=1000PSI F=2000PSI	1=GThread 4=Socket Weld 8=NPT Thread S=Butt Weld	11=1/4" 19=2-1/2" 12=3/8" 20=3" 13=1/2" 21=4" 14=3/4" 15=1" 16=1-1/4" 17=1-1/2" 18=2"

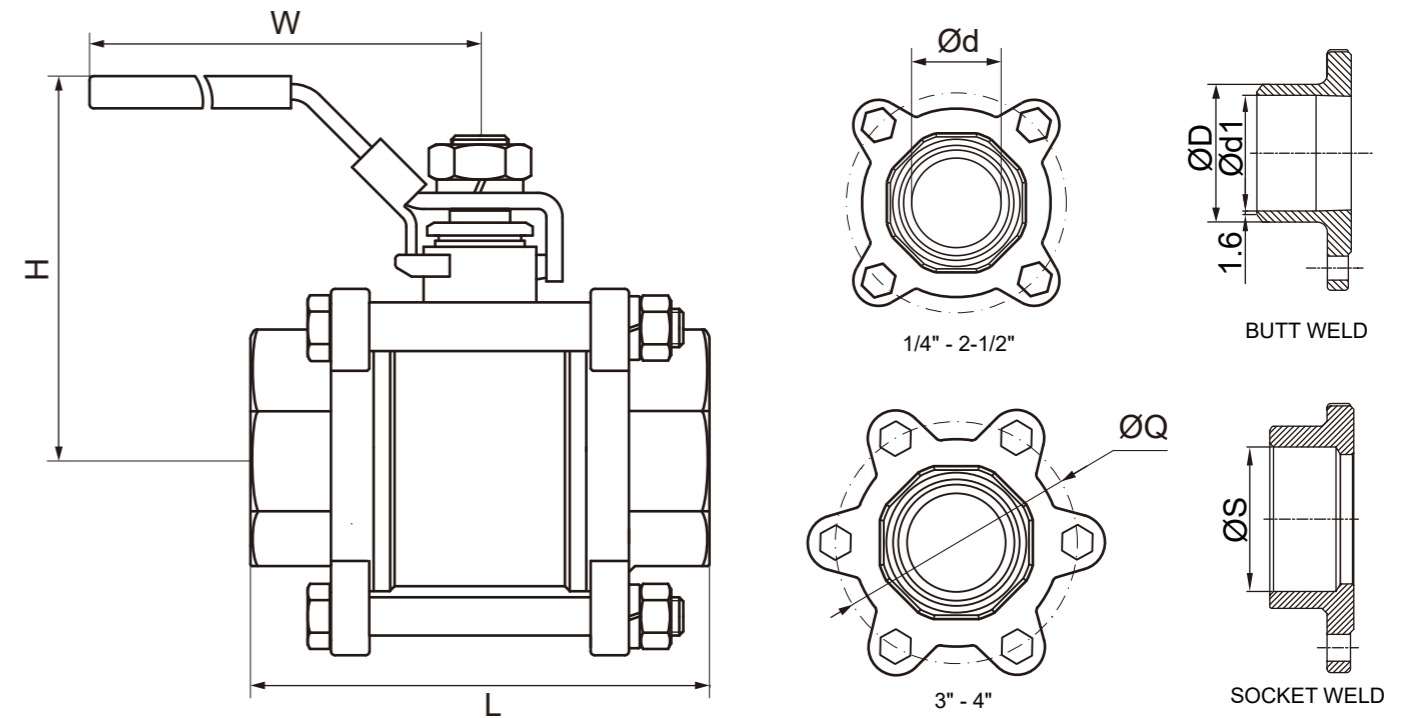
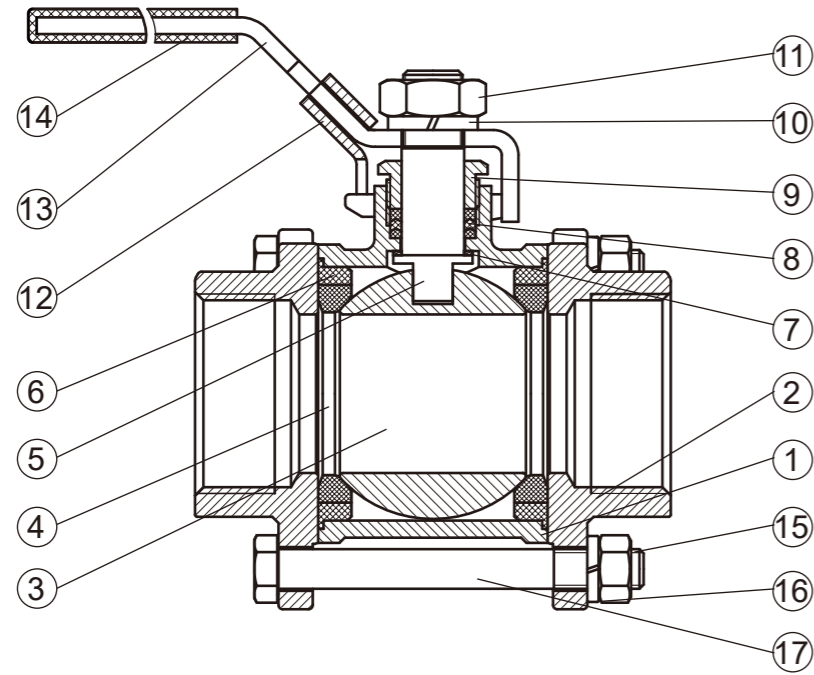
压力 - 温度 - 图表 /Pressure - Temperature-Diagram



以上信息仅供参考, 埃克美迅公司保留修改的权利, 恕不另行通知。

The above information is for reference only and Eicmation reserves the right to alter without prior notice.

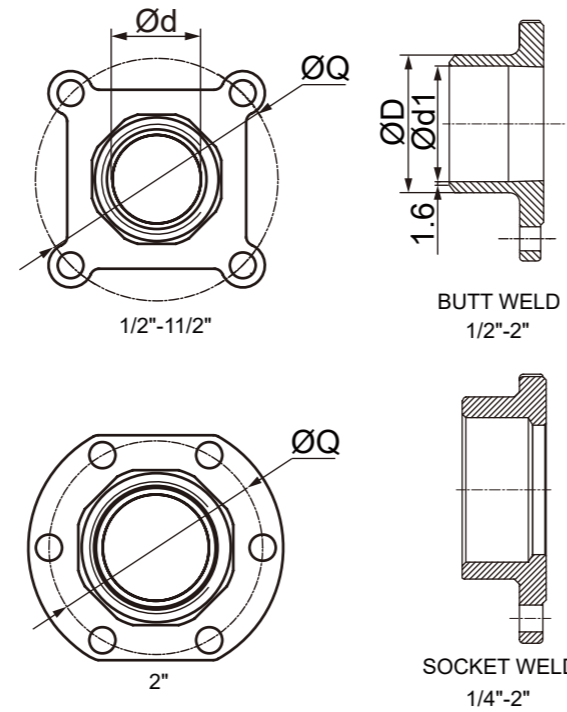
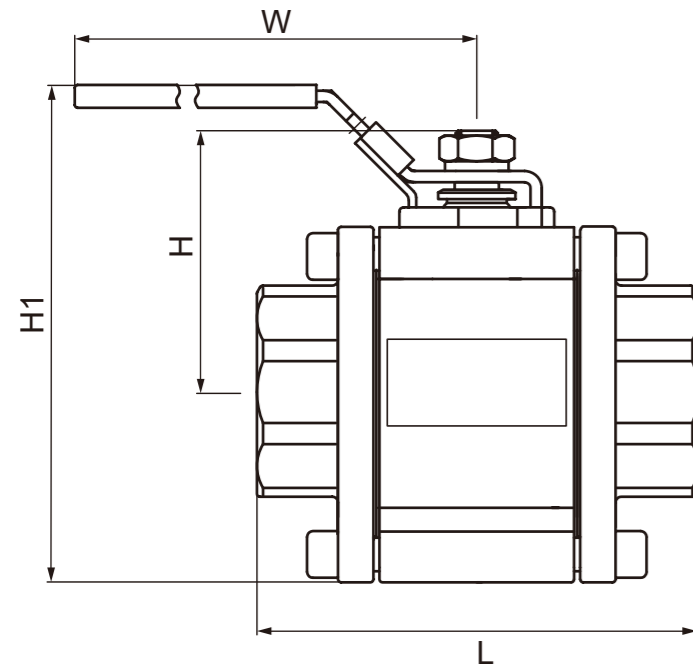
1000PSI: Socket weld/Thread/Butt weld



序号	描述	材料
1	阀体	WCB CF8 CF8M
2	端盖	WCB CF8 CF8M
3	球芯	304 316
4	密封	PTFE S-PTFE R-PTFE
5	阀杆	316
6	垫片	PTFE S-PTFE PEEK
7	轴密封	PTFE S-PTFE PEEK
8	填料	PTFE S-PTFE PEEK
9	压盖	CF8
10	弹垫	304
11	螺母	304
12	锁定位置	304
13	手柄	不锈钢
14	塑料套	塑料
15	螺母	304
16	弹垫	304
17	螺栓	304

No.	Description	Material
1	Body	WCB CF8 CF8M
2	Cap	WCB CF8 CF8M
3	Ball	304 316
4	Seat	PTFE S-PTFE R-PTFE
5	Stem	316
6	Gasket	PTFE S-PTFE PEEK
7	Thrust Washer	PTFE S-PTFE PEEK
8	Packing	PTFE S-PTFE PEEK
9	Gland	CF8
10	Spring Washer	304
11	Stem Nut	304
12	Locking Device	304
13	Handle	SS
14	Plastic Cover	Plastic
15	Joint Nut	304
16	Spring Washer	304
17	Joint Bolt	304

SIZE	DN	Ød	ØD	Ød1	ØS	L		H	W		ØQ
						SOCKET/Thread	BUTT WELD		SOCKET/Thread	BUTT WELD	
1/4"	8	11.6	17.2	10	14.1	63	70	56	123	102	40.5
3/8"	10	12.7	17.2	12.5	17.6	63	70	56	123	102	40.5
1/2"	15	15	21.3	16	21.7	63	75	65	123	123	47
3/4"	20	20	26.7	20	27.1	73	90	67	123	123	53.5
1"	25	25	33.6	25	33.8	85	100	79	153	153	59.6
1 1/4"	32	32	42.4	33.8	42.6	96	110	84	153	153	74.2
1 1/2"	40	38	48	39.5	48.7	114	125	92	183	183	84
2"	50	50	60.5	50.8	61.1	134	150	99	183	183	101
2 1/2"	65	65	76.1	62.7	76.9	180	190	136	246	246	132
3"	80	80	88.9	77.9	89.8	200	220	146	246	246	161.5
4"	100	100	114.2	100	115.5	228	270	168	395	350	191



SIZE	DN	Ød	ØD	Ød1	L	H		W
						SOCKET/Thread	BUTT WELD	
1/4"	8	11.6	-	-	66	90.1	-	102
3/8"	10	12.7	-	-	66	90.1	50.3	102
1/2"	15	15	21.3	16	72	97.4	50.3	123
3/4"	20	20	26.9	20	94.5	104.8	55	123
1"	25	25	33.7	25	107	120.7	67.5	153
1 1/4"	32	32	42.4	33.8	116	130.1	74	153
1 1/2"	40	38	48.3	39.5	127	143.9	80	183
2"	50	50	60.3	50.8	141	177.5	98.5	183

规格

设计
 阀体由三部分组成, 全通径, 法兰平台
 ISO 5211

操作
 手柄90°旋转

连接
 G/NPT内螺纹, 承插焊1/4"-4"DIN259,
 DIN2999, ISO228
 对焊1/4"-4"DIN2463, ISO1127, ANSI B36.19

压力范围
 1000PSI/2000PSI
 (请参照压力-温度图)

公称压力
 1000PSI/2000PSI

温度范围
 PTFE: -30°C - +180°C
 S-PTFE: -30°C - +200°C
 R-PTFE: -30°C - +200°C

材料
 阀体: WCB
 CF8
 CF8M

球芯: 304
 316

球芯密封: PTFE/S-PTFE/R-PTFE
阀杆密封: PTFE/S-PTFE/R-PTFE
手柄: 不锈钢

选项
 电子指示器
 手柄
 手轮装置

Specification

DESIGN
 The valve body consists of three parts, full bore,
 Top flange ISO 5211

OPERATION
 Rotation of the handle through 90°

CONNECTION
 G/NPT female thread, Socket weld 1/4" - 4"
 DIN259, DIN2999, ISO228
 Butt weld 1/4"-4"DIN2463, ISO1127, ANSI B36.19

PRESSURE RANGE
 1000PSI/2000PSI
 (Please refer to manual pressure-temperature chart)

NOMINAL PRESSURE
 1000PSI/2000PSI

TEMPERATURE RANGE
 PTFE: -30°C - +180°C
 S-PTFE: -30°C - +200°C
 R-PTFE: -30°C - +200°C

MATERIALS
 Body: WCB
 CF8
 CF8M

Ball: 304
 316

Ball seal: PTFE/S-PTFE/R-PTFE
Valve stem seal: PTFE/S-PTFE/R-PTFE
Handle: SS

OPTIONS
 Electrical position indicator
 Handle
 Handwheel device

型号:
 ABA
 ISO5211三片式球阀
 全通径
 1000PSI/2000PSI
 WCB
 CF8
 CF8M



Type:
 ABA
 ISO5211 three piece ball
 valve
 Full bore
 1000PSI/2000PSI
 WCB
 CF8
 CF8M

以上信息仅供参考, 埃克美迅公司保留修改的权利, 恕不另行通知

The above information is for reference only and Eicmation reserves the right to alter without prior notice.

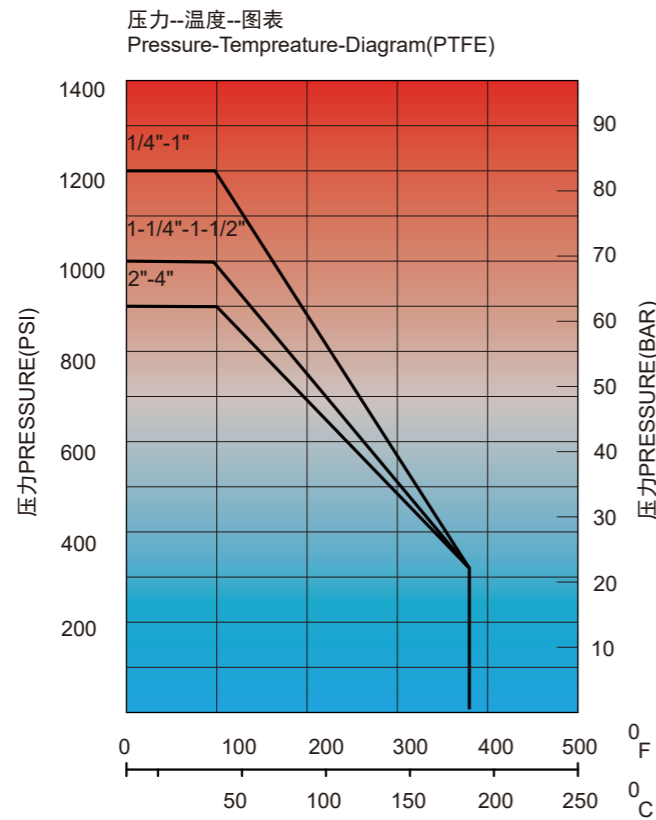
举例说明: 比如 ABA232E118
=ISO5211手动三片式螺纹球阀,WCB/304 , PTFE, 1000 PSI, G螺纹连接, DN50
球阀

1.字符 产品	2+3.字符 阀体/内件	4.字符 密封	5.字符 压力标准	6.字符 连接	7 + 8.字符 口径	
ABA=ISO5211手动 三片式螺纹球阀	23=WCB/304 24=WCB/316 33=CF8/304 44=CF8M/316	2=PTFE 3=R-PTFE 9=S-PTFE	E=1000 PSI F=2000 PSI	1=G螺纹 4=承插焊 8=NPT螺纹 S=对焊	11=1/4" 12=3/8" 13=1/2" 14=3/4" 15=1" 16=1-1/4" 17=1-1/2" 18=2"	19=2-1/2" 20=3" 21=4"

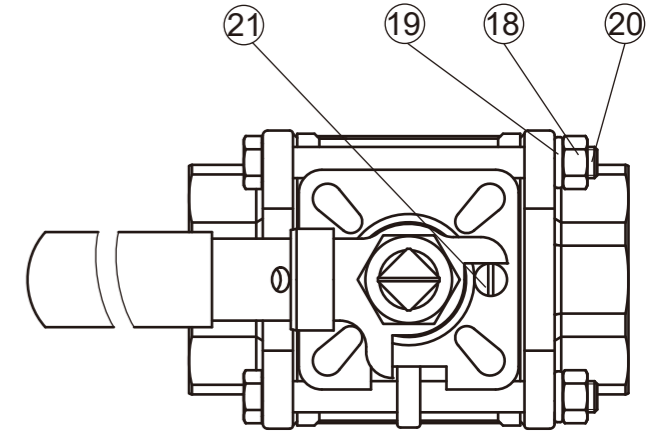
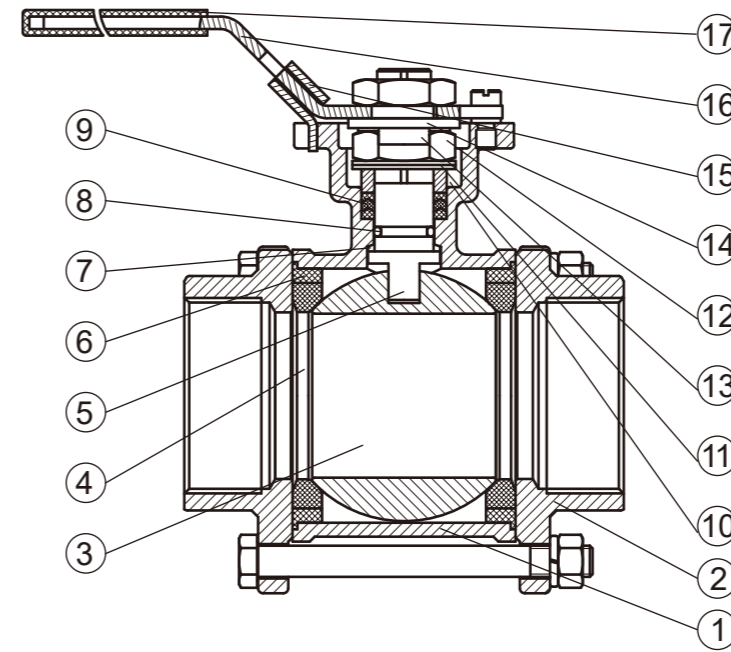
Ordering example: e.g. ABA232E118
= ISO5211 manual three piece threaded ball valve,WCB/CF8,PTFE,1000 PSI,GThread,DN50
Ball valve

A. Type	B+C. Body/Trim	D. Sealing	E. Standard pressure	F. Connection	G + H. Size	
ABA=ISO5211 manual three piece threaded ball valve	23=WCB/304 24=WCB/316 33=CF8/304 44=CF8M/316	2=PTFE 3=R-PTFE 9=S-PTFE	E=1000 PSI F=2000 PSI	1=GThread 4=Socket Weld 8=NPT Thread S=Butt Weld	11=1/4" 12=3/8" 13=1/2" 14=3/4" 15=1" 16=1-1/4" 17=1-1/2" 18=2"	19=2-1/2" 20=3" 21=4"

压力 - 温度 - 图表/ Pressure - Temperature-Diagram



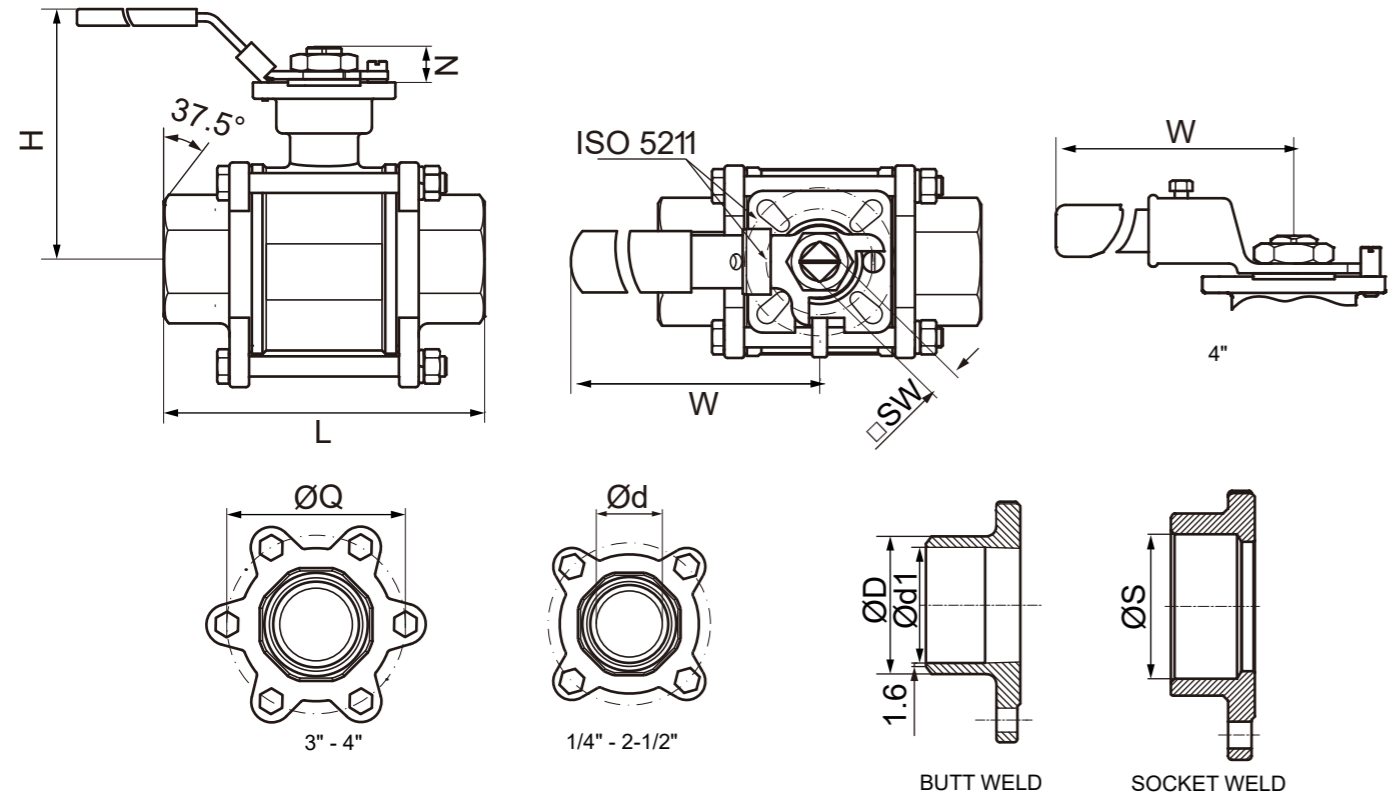
零件说明/Parts list



序号	描述	材料
1	阀体	WCB CF8 CF8M
2	端盖	WCB CF8 CF8M
3	球芯	304 316
4	密封	PTFE S-PTFE R-PTFE
5	阀杆	304 PTFE
6	垫片	S-PTFE PEEK
7	轴密封	R-PTFE
8	O-型圈	VITON PTFE
9	填料	S-PTFE PEEK
10	压盖	304
11	弹垫	304
12	螺母	304
13	垫片	304
14	垫片	304
15	锁定位置	304
16	手柄	不锈钢
17	塑料套	塑料
18	六角螺母	304
19	弹垫	304
20	螺栓	304
21	卡销	304

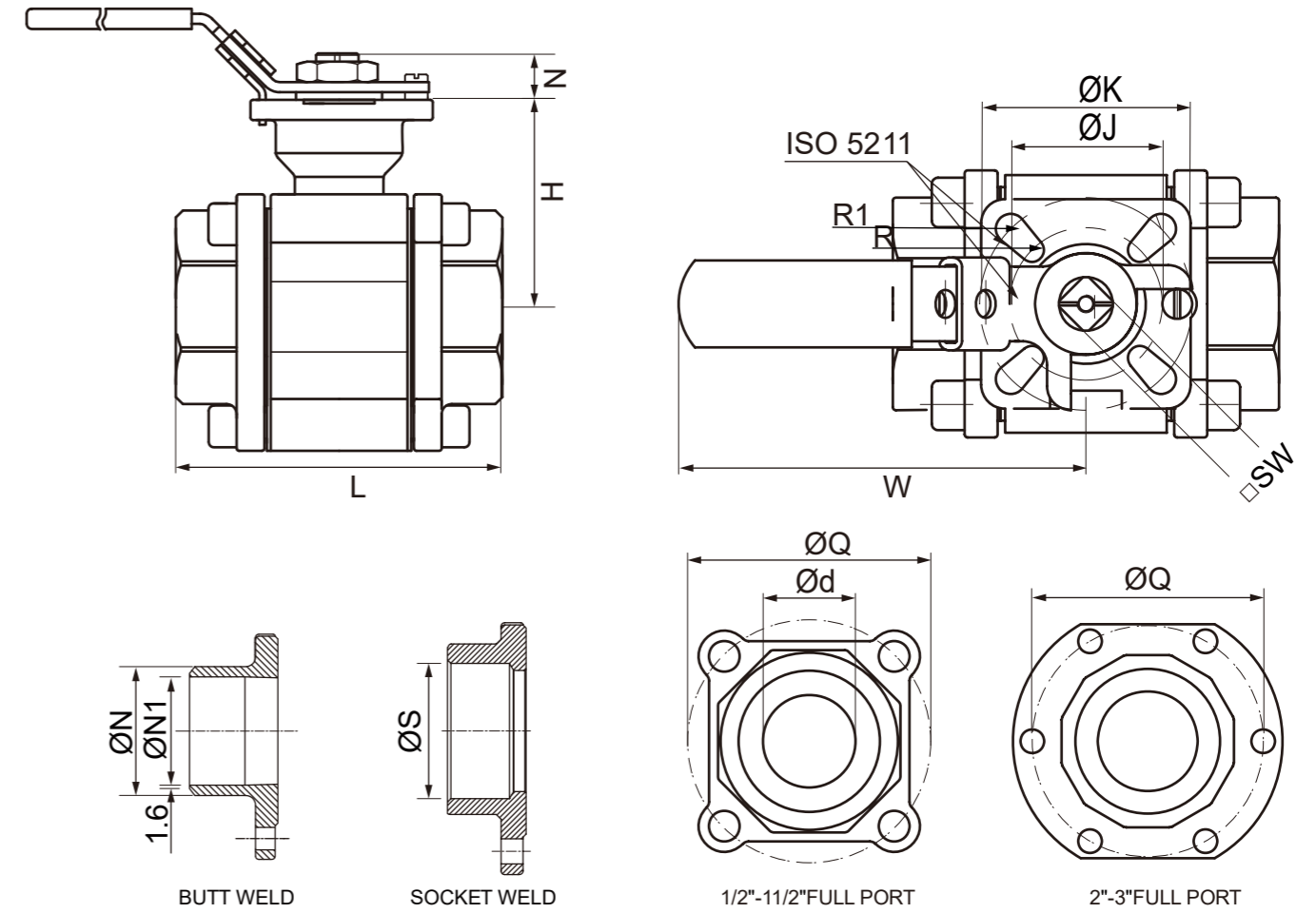
No.	Description	Material
1	Body	WCB CF8 CF8M
2	Cap	WCB CF8 CF8M
3	Ball	304 316
4	Seat	PTFE S-PTFE R-PTFE
5	Stem	304 PTFE
6	Gasket	S-PTFE PEEK
7	Thrust Washer	R-PTFE
8	O-Ring	VITON PTFE
9	Packing	S-PTFE PEEK
10	Gland	304
11	Spring Washer	304
12	Stem Nut	304
13	Stop Washer	304
14	Handle Washer	304
15	Locking Device	304
16	Handle	SS
17	Plastic Cover	Plastic
18	Hex Nut	304
19	Bolt Washer	304
20	Joint Bolt	304
21	Stop Pin	304

1000PSI: Socket weld/Thread/Butt weld



SIZE	DN	Ød	L		H	W	ISO5211	N	□SW	ØQ	ØD	Ød1	ØS
			Socket/Thread	Butt Weld									
1/4"	8	11.6	63	70	74	123	F03-F04	9	9	52	17.2	10	14.1
3/8"	10	12.7	63	70	74	123	F03-F04	9	9	52	17.2	12.5	17.6
1/2"	15	15	63	75	74	123	F03-F04	9	9	52	21.3	16	21.7
3/4"	20	20	73	90	78	123	F03-F04	9	9	54.5	26.7	20	27.1
1"	25	25	85	100	89	153	F04-F05	11	11	63.5	33.6	25	33.8
1 1/4"	32	32	96	110	94	153	F04-F05	11	11	74.2	42.4	33.8	42.6
1 1/2"	40	38	114	125	110	183	F05-F07	14	14	84	48	39.5	48.7
2"	50	50	134	150	118	183	F05-F07	14	14	101	60.5	50.8	61.1
2 1/2"	65	65	180	190	161	246	F07-F10	17	17	132	76.1	62.7	76.9
3"	80	80	200	220	170	246	F07-F10	17	17	161.5	88.9	77.9	89.8
4"	100	100	228	270	202	395	F10-F12	22	22	191	114.2	100	115.5

2000PSI: Socket weld/Thread/Butt weld



SIZE	DN	Ød	L	H	W	ISO5211	ØJ	ØK	N	□SW	R	R1	ØN	ØN1	ØS	ØQ
1/2"	15	15	71.6	41	123	F03-F04	36	42	9	9	3	3	21.7	16.8	21.7	54
3/4"	20	20	96.6	44	123	F03-F04	36	42	9	9	3	3	27.2	22	27.7	62
1"	25	25	109	59	153	F04-F05	42	50	11	11	3	3.5	34	27.6	33.8	71
1-1/4"	32	32	117	63	153	F04-F05	42	50	11	11	3	3.5	42	36.1	42.6	80.5
1-1/2"	40	38	129	82	183	F05-F07	50	70	14	14	3.75	4.5	48.6	41.9	48.7	93.5
2"	50	50.8	142	90	183	F05-F07	50	70	14	14	3.75	4.5	60.5	54.4	61.1	114
2-1/2"	65	65	174	118.5	246	F07-F10	70	102	17	17	5	6	76.1	70.9	76.9	140
3"	80	76	193	129	246	F07-F10	70	102	17	17	5	6	90	81.1	89.8	175.5

规格

设计
 阀体由三部分组成, 全通路
 顶法兰ISO 5211

操作
 气动双作用或单作用

连接
 G/NPT内螺纹1/4" - 4" DIN259,
 DIN2999,ISO228

压力范围
 1000PSI/2000PSI
 (请参照手动压力-温度图)

公称压力
 1000PSI/2000PSI

气源压力
 2 - 8 bar
 (低的气源压力根据需要)

温度范围
 PTFE: -30°C - +180°C
 S-PTFE: -30°C - +200°C
 R-PTFE: -30°C - +200°C

材料
 阀体: WCB
 CF8
 CF8M

球芯: 304
 316

球芯密封: PTFE/S-PTFE/R-PTFE

阀杆密封: PTFE/S-PTFE/R-PTFE

执行器
 缸体: 铝合金, 其他请咨询
 盖子: 聚碳酸酯涂层

环境温度
 -20°C - +80°C

气源介质
 过滤后气体(除油、灰和水)

选项
 两位三通或两位五通阀, 限位开关,
 定位器, 过滤减压器, 手动离合器

等多规范请根据球阀(ABA) 和执行器(PA)
 数据表

以上信息仅供参考, 埃克美迅公司保留
 修改的权利, 恕不另行通知

Specification

DESIGN
 The valve body consists of three parts, full bore
 Top flange ISO 5211

OPERATION
 Pneumatic double-acting or single-acting

CONNECTION
 G/NPT female thread 1/4" - 4" DIN259,
 DIN2999,ISO228

PRESSURE RANGE
 1000PSI/2000PSI
 (please refer to the manual pressure-temperature
 chart)

NOMINAL PRESSURE
 1000PSI/2000PSI

PILOT PRESSURE
 2 - 8 bar
 (Lower pilot pressure on request)

TEMPERATURE RANGE
 PTFE: -30°C - +180°C
 S-PTFE: -30°C - +200°C
 R-PTFE: -30°C - +200°C

MATERIALS
 Body: WCB
 CF8
 CF8M

Ball: 304
 316

Ball seal: PTFE/S-PTFE/R-PTFE

Valve stem seal: PTFE/S-PTFE/R-PTFE

ACTUATOR
 Body: Aluminum alloy, Others on request
 Cap: Polyurethane coating

EXTERNAL TEMPERATURE RANGE
 -20°C - +80°C

PILOT MEDIA
 Filtered gases (oil, ash and water removal)

OPTIONS
 3/2-ways or 5/2-ways valve, limit switch,
 positioner, filter reducer, manual clutch

For further specifications please refer to the
 ball valve (ABA) and actuator (PA) data sheet

The above information is for reference only and
 Eicmation reserves the right to alter without prior
 notice

型号:
 ABA-PA

气动三片式球阀
 全通路
 1000PSI/2000PSI

WCB
 CF8
 CF8M



Type:
 ABA-PA

Pneumatic 3-Piece ball
 valve
 Full bore
 1000PSI/2000PSI

WCB
 CF8
 CF8M

举例说明: 比如 ABA332E118-PA1116110

=ISO5211三片式螺纹球阀, CF8/304, PTFE, G螺纹连接, 1000PSI, DN50, 气动执行器, 双作用, 阳极氧化铝, 活塞Ø83mm, NBR, 齿轮, 0°-90°

球阀

1. 字符 产品	2+3. 字符 阀体/内件	4. 字符 密封	5. 字符 压力标准	6. 字符 连接	7 + 8. 字符 口径	
ABA=ISO5211 三片式球阀	23=WCB/304 24=WCB/316 33=CF8/304 44=CF8M/316	2=PTFE 3=R-PTFE 9=S-PTFE	E=1000 PSI F=2000 PSI	1=G螺纹 4=承插焊 8=NPT螺纹 S=对焊	11=1/4" 12=3/8" 13=1/2" 14=3/4" 15=1" 16=1-1/4" 17=1-1/2" 18=2"	19=2-1/2" 20=3" 21=4"

执行器

9. 字符 产品	10. 字符 功能	11. 字符 材质	12 + 13. 字符 规格		14. 字符 密封	15. 字符 结构	16. 字符 行程
PA=气动执行器	1=双作用 2=单作用常闭 3=单作用常开	1=铝合金 2=不锈钢	13=Ø52 14=Ø63 15=Ø75 16=Ø83 17=Ø92 18=Ø105 19=Ø125 20=Ø140 21=Ø160	22=Ø190 23=Ø210 24=Ø240 25=Ø270 26=Ø300 27=Ø350 28=Ø400	1=NBR 2=HNBR 3=FKM	1=齿轮	0=0-90° 1=0-120° 2=0-135° 3=0-150° 4=0-180° 5=0-270°

Ordering example: e.g. ABA332E118-PA1116110

=ISO5211 Three piece thread ball valve, CF8/304, PTFE, GThread, 1000PSI, DN50, Pneumatic actuator PA, Double action, Anodising
 aluminum, Piston Ø83mm, NBR, Gear, 0°-90°

Ball valve

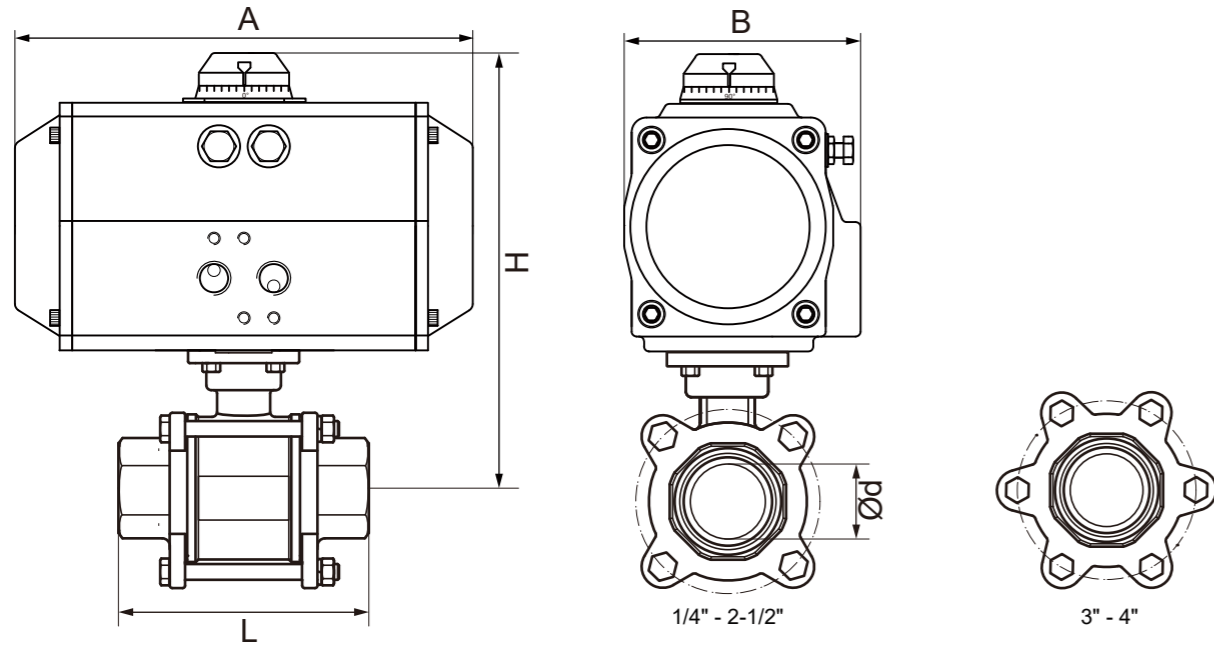
A. Type	B+C. Body/Trim	D. Sealing	E. Standard pressure	F. Connection	G + H. Size	
ABA=ISO5211Three piece ball valve	23=WCB/304 24=WCB/316 33=CF8/304 44=CF8M/316	2=PTFE 3=R-PTFE 9=S-PTFE	E=1000 PSI F=2000 PSI	1=GThread 4=Socket Weld 8=NPT Thread S=Butt Weld	11=1/4" 12=3/8" 13=1/2" 14=3/4" 15=1" 16=1-1/4" 17=1-1/2" 18=2"	19=2-1/2" 20=3" 21=4"

Actuator

I. Type	J. Fail position	K. Material	L + M. Specifications		N. Seal	O. Structure	P. Trip
PA=Pneumatic actuator	1=Double action 2=Single action-close 3=Single action-open	1=Aluminium alloy 2=Stainless steel	13=Ø52 14=Ø63 15=Ø75 16=Ø83 17=Ø92 18=Ø105 19=Ø125 20=Ø140 21=Ø160	22=Ø190 23=Ø210 24=Ø240 25=Ø270 26=Ø300 27=Ø350 28=Ø400	1=NBR 2=HNBR 3=FKM	1=Gear	0=0-90° 1=0-120° 2=0-135° 3=0-150° 4=0-180° 5=0-270°

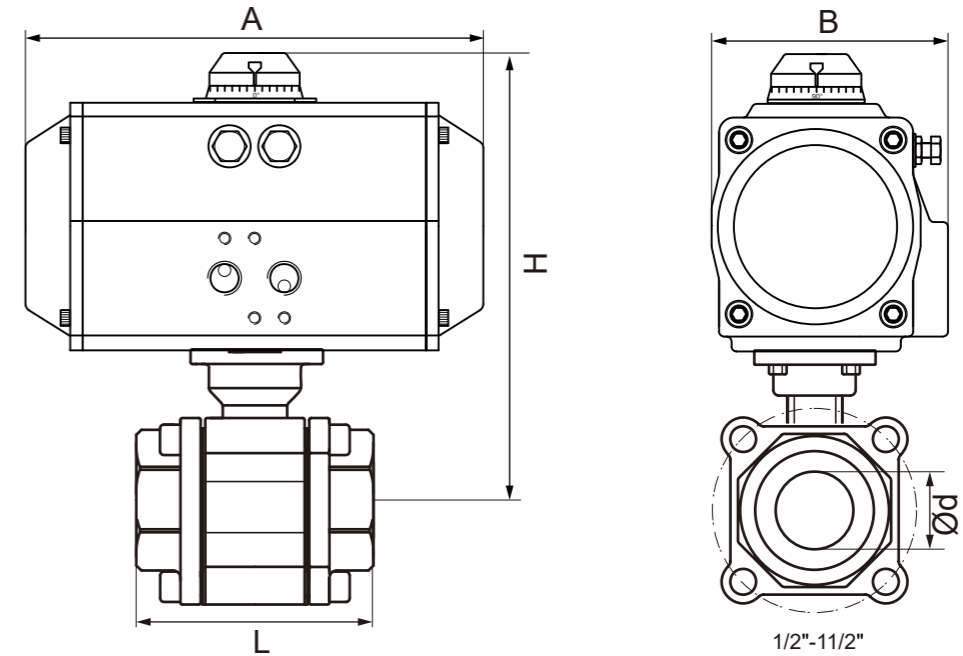
尺寸/Dimension

1000PSI:Socket weld/Thread/Butt weld



尺寸/Dimension

2000PSI:Socket weld/Thread/Butt weld



SIZE	DN	Ød	Actuator		A	B	H	L	
			Model	Specification				Socket/Thread	Butt
1/4"	8	11.6	PA1113110	Ø52	147	72	176	63	70
			PA2113110	Ø52	147	72	176		
3/8"	10	12.7	PA1113110	Ø52	147	72	176	63	70
			PA2113110	Ø52	147	72	176		
1/2"	15	15	PA1113110	Ø52	147	72	176	63	75
			PA2114110	Ø63	172	83	192		
3/4"	20	20	PA1113110	Ø52	147	72	180	73	90
			PA2114110	Ø63	172	83	196		
1"	25	25	PA1114110	Ø63	172	83	207	85	100
			PA2115110	Ø75	184	95	219		
1-1/4"	32	32	PA1115110	Ø75	184	95	224	96	110
			PA2116110	Ø83	204	103	233		
1-1/2"	40	40	PA1115110	Ø75	184	95	240	114	125
			PA2117110	Ø92	262	109	257		
2"	50	50	PA1116110	Ø83	204	103	257	134	150
			PA2117110	Ø92	262	109	265		
2-1/2"	65	65	PA1117110	Ø92	262	109	308	180	190
			PA2118110	Ø105	268	121	324		
3"	80	80	PA1118110	Ø105	268	121	333	200	220
			PA2119110	Ø125	301	143	355		
4"	100	100	PA1119110	Ø125	301	143	387	228	270
			PA2120110	Ø140	394	152	405		

注：阀体详细数据请详见ABA ISO5211三片式球阀
以上为常规工况执行器配置尺寸，
如特殊工况的执行器配置详询埃克美迅技术部。

Note:Details please refer to ABA ISO5211 three piece ball valve;
Above information is under normal working conditon, Please consult the technical
department in case of special working conditions

DN	Ød	Actuator		A	B	H	L
		Model	Size				
15	15	PA1113110	Ø52	147	72	143	71.6
		PA2114110	Ø63	172	83	159	
20	20	PA1113110	Ø52	147	72	146	96.6
		PA2114110	Ø63	172	83	162	
25	25	PA1114110	Ø63	172	83	177	109
		PA2115110	Ø75	184	95	189	
32	32	PA1115110	Ø75	184	95	193	117
		PA2116110	Ø83	204	103	202	
40	40	PA1116110	Ø83	204	103	221	129
		PA2117110	Ø92	262	109	229	
50	50	PA1117110	Ø92	262	109	237	142
		PA2118110	Ø105	268	121	253	
65	65	PA1118110	Ø105	268	121	282	174
		PA2119110	Ø125	310	143	304	
80	80	PA1119110	Ø125	310	143	314	193
		PA2120110	Ø140	394	152	332	

注：阀体详细数据请详见ABA ISO5211三片式球阀
以上为常规工况执行器配置尺寸，
如特殊工况的执行器配置详询埃克美迅技术部。

Note:Details please refer to ABA ISO5211 three piece ball valve;
Above information is under normal working conditon, Please consult the technical
department in case of special working conditions

规格

设计

阀体由三部分组成, 全口径
顶法兰ISO 5211

操作

电动含手动操作

连接

G/NPT内螺纹/卡箍/对焊/承插焊
DIN259,DIN2999,ISO228

压力范围

1000PSI/2000PSI
请参照手动压力-温度图)

公称压力

1000PSI/2000PSI

温度范围

PTFE: -30°C - +180°C
S-PTFE: -30°C - +200°C
R-PTFE: -30°C - +200°C

材料

阀体: WCB
CF8
CF8M

球芯: 304
316

球芯密封: PTFE/S-PTFE/R-PTFE

阀杆密封: PTFE/S-PTFE/R-PTFE

可选电压

24V DC,24V AC,110V AC
220V AC,380V AC

防护

IP 67

标准设备

限位开关, 物理指示器, 手动控制

选项

除湿加热器
过力矩保护
调节型4-20mA

Exd IIB T4

更多要求请咨询

更多规范请根据球阀(ABA)和执行器(KL)
数据表

以上信息仅供参考, 埃克美迅公司保留
修改的权利, 恕不另行通知

Specification

DESIGN

The valve body consists of three parts, full bore
Top flange ISO 5211

OPERATION

Electric and Handle operation

CONNECTION

G/NPT female thread/Clamp/Butt weld/Socket weld
DIN259,DIN2999,ISO228

PRESSURE RANGE

1000PSI/2000PSI
(Please refer to the manual pressure-temperature
chart)

NOMINAL PRESSURE

1000PSI/2000PSI

TEMPERATURE RANGE

PTFE: -30°C - +180°C
S-PTFE: -30°C - +200°C
R-PTFE: -30°C - +200°C

MATERIALS

Body: WCB
CF8
CF8M

Ball: 304
316

Ball seal: PTFE/S-PTFE/R-PTFE

Valve stem seal: PTFE/S-PTFE/R-PTFE

OPTIONAL VOLTAGE

24V DC,24V AC,110V AC
220V AC,380V AC

PROTECTION

IP 67

STANDARD EQUIPMENT

Additional limit switches, optical position indicator,
manual override,

OPTIONS

Dehumidification heater
Overtorque protection
Modulate type 4-20mA

Exd IIB T4

For more requests please contact us

For further specifications please refer to the ball
valve (ABA) and actuator (KL) data sheet

The above information is for reference only and
Eicmation reserves the right to alter without prior
notice

型号:
ABA-KL

电动三片式球阀
全口径
1000PSI/2000PSI

WCB
CF8
CF8M



Type:
ABA-KL

Electric 3-piece ball valve

Full bore
1000PSI/2000PSI

WCB
CF8
CF8M

举例说明: 比如 ABA332E118-KL411111

=ISO5211三片式螺纹球阀,CF8/304 ,PTFE,1000 PSI, G螺纹连接, DN50, 电动执行器, 220V AC, 50Nm, 开关型+干接点。

球阀

1.字符 产品	2+3.字符 阀体/内件	4.字符 密封	5.字符 压力标准	6.字符 连接	7 + 8.字符 口径
ABA=ISO5211 三片式球阀	23=WCB/304 24=WCB/316 33=CF8/304 44=CF8M/316	2=PTFE 3=R-PTFE 9=S-PTFE	E=1000 PSI F=2000 PSI	1=G螺纹 2=承插焊 8=NPT螺纹 S=对焊	11=1/4" 12=3/8" 13=1/2" 14=3/4" 15=1" 16=1-1/4" 17=1-1/2" 18=2"

执行器

9.字符 产品	10.字符 电压	11.字符 防爆等级	12+13.字符 扭矩 (NM)	14.字符 附件	15.字符 备用
KL=基本型角行程 电动执行器	1=24V DC 2=24V AC 3=110V AC 4=220V AC 5=380V AC	1=无 2=Exd II BT4 (50-600NM)	11=50 13=100 15=200 17=400 19=600 21=1000 23=2000	1=开关+干接点 2=调节型4~20mA	1=无 2=电位计1K~10K 3=电流位置传感器4~20mA 4=过载保护 (200-2000NM) 8=除湿保护

Ordering example: e.g. ABA332E118-KL411111

=ISO5211 Three piece ball valve, CF8/304 ,PTFE,1000 PSI,GThread, DN50, Electric actuator, 220V AC, 50Nm, On/off type+dry contact

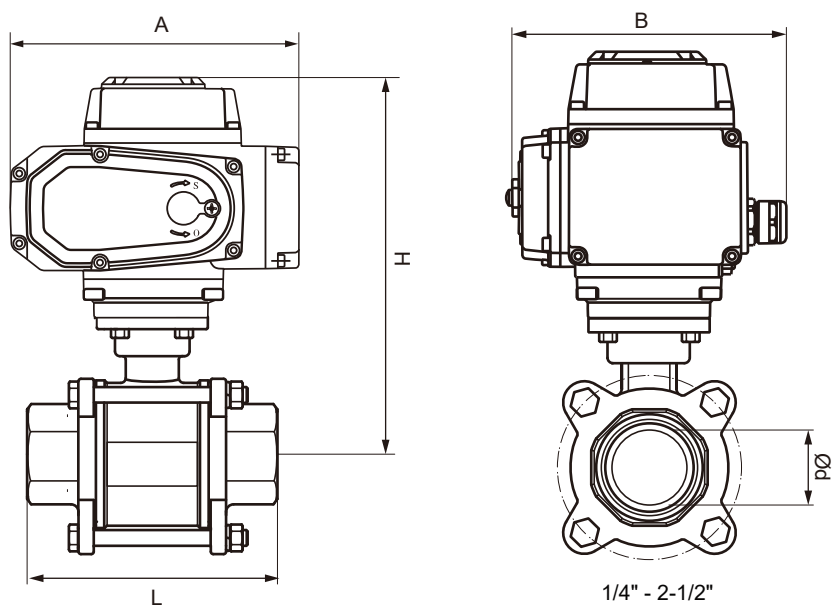
Ball valve

A. Type	B+C. Body/Trim	D. Sealing	E. Standard pressure	F. Connection	G + H. Size
ABA=ISO5211Three piece ball valve	23=WCB/304 24=WCB/316 33=CF8/304 44=CF8M/316	2=PTFE 3=R-PTFE 9=S-PTFE	E=1000 PSI F=2000 PSI	1=GThread 4=Socket Weld 8=NPT Thread S=Butt Weld	11=1/4" 12=3/8" 13=1/2" 14=3/4" 15=1" 16=1-1/4" 17=1-1/2" 18=2"

Actuator

I. Type	J. Voltage	K. Explosion proof grade	L+M. Torque(NM)	N. Extra	O. Spare
KL=Basic angle stroke Electric actuator	1=24V DC 2=24V AC 3=110V AC 4=220V AC 5=380V AC	1=None 2=Exd II BT4 (50-600NM)	11=50 13=100 15=200 17=400 19=600 21=1000 23=2000	1=On/Off type +dry contact 2=Modulate type 4~20mA	1=No 2=1K~10K potentiometer 3=Current position sensor 4~20mA 4=Overload protection (200-2000NM) 8=Arefaction protect

1000PSI/2000PSI:Socket weld/Thread/Butt weld



SIZE	DN	Ød	Actuator		A	B	H	Socket/Thread	Butt
			Model	Torque(NM)					
1/4"	8	11.6	KL111111	50	165.0	140.5	212	63	70
			KL121111	50	170.5	121	224		
3/8"	10	12.7	KL111111	50	165.0	140.5	212	63	70
			KL121111	50	170.5	121	224		
1/2"	15	15	KL111111	50	165.0	140.5	212	63	75
			KL121111	50	170.5	121	224		
3/4"	20	20	KL111111	50	165.0	140.5	216	73	90
			KL121111	50	170.5	121	228		
1"	25	25	KL111111	50	165.0	140.5	227	85	100
			KL121111	50	170.5	121	239		
1-1/4"	32	32	KL111111	50	165.0	140.5	232	96	110
			KL121111	50	170.5	121	244		
1-1/2"	40	40	KL111111	50	165.0	140.5	248	114	125
			KL121111	50	170.5	121	260		
2"	50	50	KL111311	100	211.5	154	287	134	150
			KL121311	100	217.5	139	300		
2-1/2"	65	65	KL111311	100	211.5	154	330	180	190
			KL121311	100	217.5	139	343		
3"	80	80	KL111511	200	259.0	186	373	200	220
			KL121511	200	217.5	139	352		
4"	100	100	KL111511	200	259.0	186	405	228	270
			KL121511	200	217.5	139	384		

注：阀体详细数据请详见ABA ISO5211三片式球阀
 以上为常规工况执行器配置尺寸，
 如特殊工况的执行器配置详询埃克美迅技术部。

Note:Details please refer to ABA ISO5211 three piece ball valve;
 Above information is under normal working conditon, Please consult the technical
 department in case of special working conditions