



规格

设计
三通球阀
全通径, L型或T型
两端密封, 免维修, 顶法兰ISO5211

操作
手柄90°旋转

连接
法兰标准:
DIN 2633 ASME B16.5 GB/T 9113
HG/T 20592 HG/T 20615

压力范围
PN16
(请参照压力-温度图)

公称压力
PN16/PN25/PN40
150LB/300LB

温度范围
PEEK: -40°C - +250°C
S-PTFE: -30°C - +200°C
R-PTFE: -30°C - +200°C

材料
阀体: WCB
CF8
CF8M

球芯: 304
316

球芯密封: PEEK/S-PTFE/R-PTFE

阀杆密封: PEEK/S-PTFE/R-PTFE

手柄: 不锈钢

选项
电子指示器
手柄
手轮装置

以上信息仅供参考, 本公司保留修改的权利, 恕不另行通知

Specification

DESIGN
3-way ball valve
Full bore.L or T configuration.
Sealed at both ends, maintenance free.
Top flange ISO5211

OPERATION
Rotation of the handle through 90°

CONNECTION
End flange norm
DIN 2633 ASME B16.5 GB/T 9113
HG/T 20592 HG/T 20615

PRESSURE RANGE
PN16
(Please refer to the pressure-temperature chart)

NOMINAL PRESSURE
PN16/PN25/PN40
150LB/300LB

TEMPERATURE RANGE
PEEK: -40°C - +250°C
S-PTFE: -30°C - +200°C
R-PTFE: -30°C - +200°C

MATERIALS
Body: WCB
CF8
CF8M

Ball: 304
316

Ball seal: PEEK/S-PTFE/R-PTFE

Valve stem seal: PEEK/S-PTFE/R-PTFE

Handle: SS

OPTIONS
Electrical position indicator
Handle
Handwheel device

The above information is for reference only and Eicmation reserves the right to alter without prior notice

型号:
BVC/BVD

三通手动法兰球阀
全通径 ISO5211
PN16/PN25/PN40
150LB/300LB

WCB
CF8
CF8M



Type:
BVC/BVD
Handle 3-way flange ball valve
Full bore ISO5211
PN16/PN25/PN40
150LB/300LB

WCB
CF8
CF8M

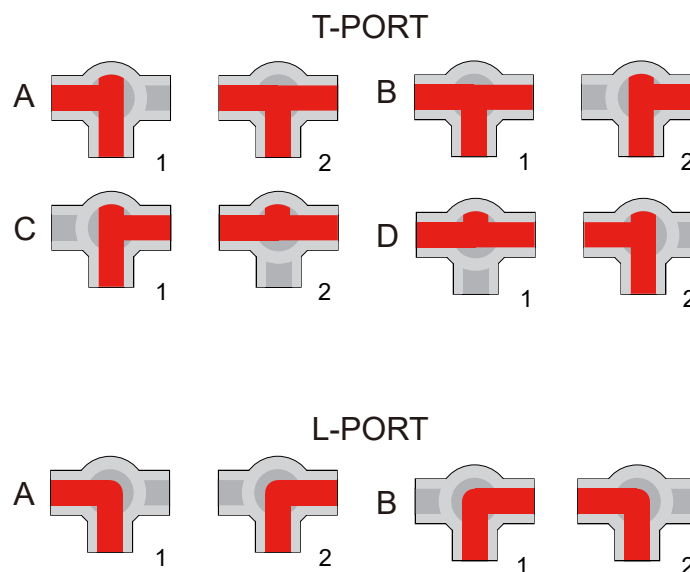
举例说明: 比如 BVC44K3618
=L型手动三通球阀, CF8M/316, PEEK, PN16, 国标法兰连接, DN50
球阀

1.字符 产品	2+3.字符 阀体/内件	4.字符 密封	5.字符 标准压力	6.字符 连接	7 + 8.字符 口径	
BVC=L型手动三通球阀 BVD=T型手动三通球阀	23=WCB/304 24=WCB/316 33=CF8/304 44=CF8M/316	K=PEEK 3=R-PTFE 9=S-PTFE	3=PN16/150LB 4=PN25 5=PN40/300LB	6=国标法兰 M=美标法兰	13=1/2" 14=3/4" 15=1" 17=1-1/2" 18=2" 19=2-1/2" 20=3"	21=4" 23=6" 24=8"

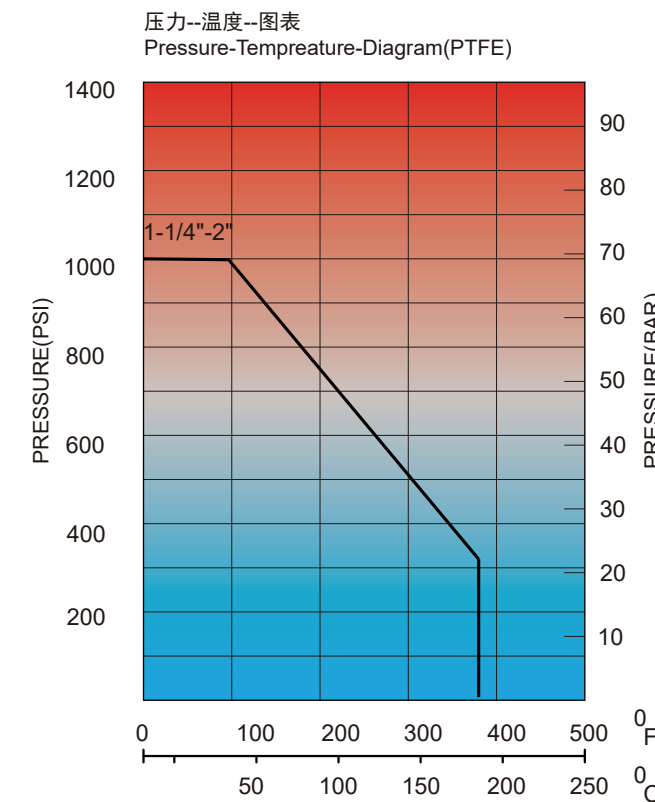
Ordering example: e.g. BVC44K3618
= 3-way flange ball valve "L" port, CF8M/316, PEEK, PN16, GB flange, DN50
Ball valve

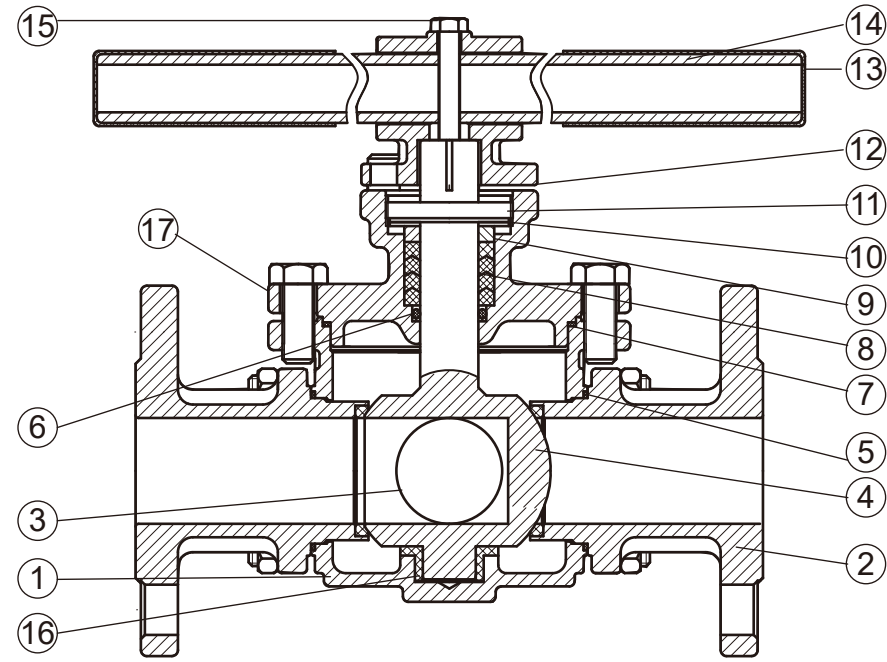
A. Type	B+C. Body/Trim	D. Seal	E. Standard pressure	F. Connection	G + H. Size	
BVC=3-way flange ball valve "L" port BVD=3-way flange ball valve "T" port	23=WCB/304 24=WCB/316 33=CF8/304 44=CF8M/316	K=PEEK 3=R-PTFE 9=S-PTFE	3=PN16/150LB 4=PN25 5=PN40/300LB	6=GB Flange M=ASME Flange	13=1/2" 14=3/4" 15=1" 17=1-1/2" 18=2" 19=2-1/2" 20=3"	21=4" 23=6" 24=8"

球芯类型 Type of valves

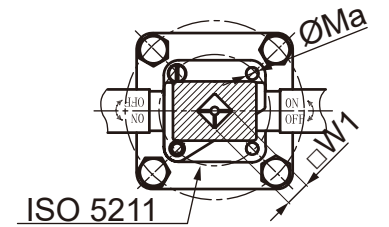
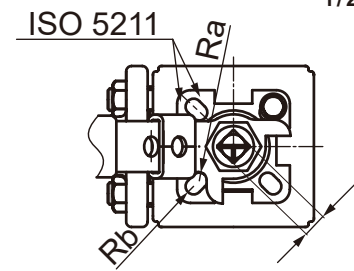
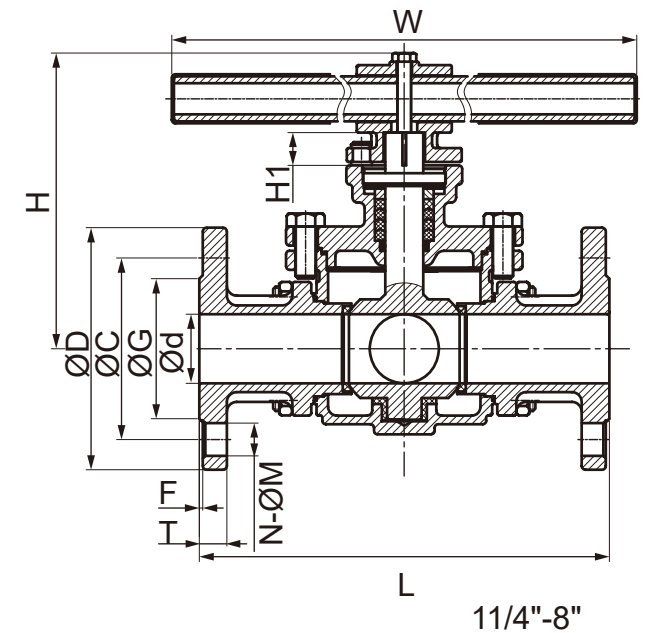
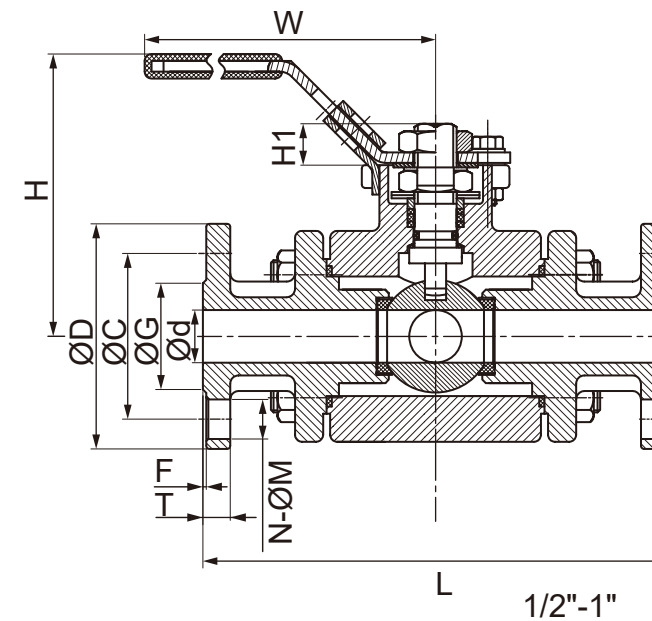


压力 - 温度 - 图表 / Pressure - Temperature-Diagram





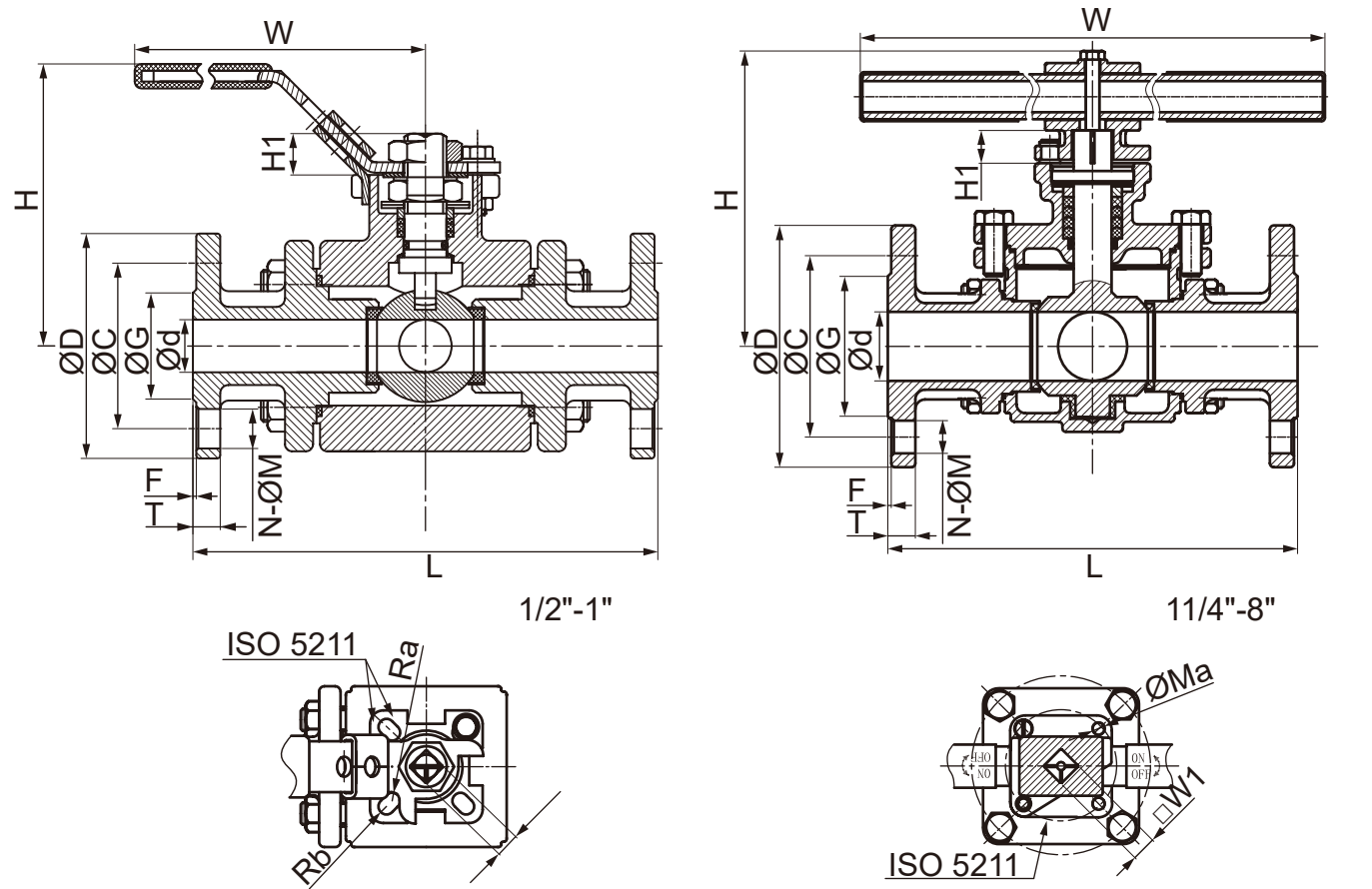
GB FLANGE



序号	描述	材料
1	阀体	WCB CF8 CF8M
2	阀盖	WCB CF8 CF8M
3	球芯	304 306
4	密封	S-PTFE R-PTFE PEEK
5	大薄片	R-PTFE S-PTFE PEEK
6	O型圈	VITON
7	大薄片	R-PTFE S-PTFE PEEK
8	填料	R-PTFE S-PTFE PEEK
9	套筒	304
10	弹垫	304
11	阀盖	CF8 CF8M
12	手柄头	WCB CF8 CF8M
13	塑料套	塑料
14	手柄	不锈钢
15	手柄螺栓	304
16	套筒	R-PTFE S-PTFE PEEK

NO.	Description	Material
1	Body	WCB CF8 CF8M
2	Cap	WCB CF8 CF8M
3	Ball	304 316
4	Seal	R-PTFE S-PTFE PTFE
5	Gasket	R-PTFE S-PTFE PEEK
6	O-ring	VITON
7	Gasket	R-PTFE S-PTFE PEEK
8	Packing	R-PTFE S-PTFE PEEK
9	Sleeve	304
10	Spring washer	304
11	Cap	CF8 CF8M
12	Handle head	WCB CF8 CF8M
13	Plastic cover	Plastic
14	Handle pole	SS
15	Handle bolt	304
16	Sleeve	R-PTFE S-PTFE PEEK

SIZE	DN	Ød	f	L	H	ISO5211	E	H1	W1	Ra	Rb	Ma	PN16						PN25/PN40				PN25 PN40				
													D	C	G	T	N	M	W	D	C	G	T	N	M	W	W
1/2"	15	15	2	160	80	F03-F04	36-42	9	9	R3	R3	-	95	65	45	16	4	14	123	95	65	45	16	4	14	123	123
3/4"	20	20	2	165	84	F03-F04	36-42	9	9	R3	R3	-	105	75	58	18	4	14	123	105	75	58	18	4	14	123	123
1"	25	25	2	180	96	F04-F05	42-50	11	11	R3	R3.5	-	115	85	68	18	4	14	153	115	85	68	18	4	14	153	153
1 1/4"	32	32	3	234	171	F07	70	19	17	-	-	Ø10	140	100	78	18	4	18	403	140	100	78	18	4	18	403	403
1 1/2"	40	40	3	234	171	F07	70	19	17	-	-	Ø10	150	110	88	18	4	18	403	150	110	88	18	4	18	403	403
2"	50	50	3	273	176	F07	70	19	17	-	-	Ø10	165	125	102	20	4	18	403	165	125	102	20	4	18	403	403
2 1/2"	65	65	3	300	208	F10	102	24	22	-	-	Ø12	185	145	122	18	4	18	504	185	145	122	22	8	18	504	504
3"	80	76	3	305	216	F10	102	24	22	-	-	Ø12	200	160	138	20	8	18	504	200	160	138	24	8	18	504	504
4"	100	96	3	369	236	F10	102	24	22	-	-	Ø12	220	180	158	20	8	18	504	235	190	168	24	8	22	654	504
6"	150	148	3	480	329	F14	140	38	36	-	-	Ø18	285	240	212	22	8	22	800	300	250	218	28	8	26	800	800
8"	200	200	3	630	354	F14	140	40	36	-	-	Ø18	340	295	268	24	12	22	1000	-	-	-	-	-	-	-	-



SIZE	DN	Ød	G	f	W	ISO5211	E	H1	W1	Ra	Rb	Ma	150LB						300LB							
													D	C	T	N	M	L	H	D	C	T	N	M	L	H
1/2"	15	15	35	1.6	123	F03-F04	36-42	9	9	R3	R3	-	89	60.5	11	4	16	148	80	95	66.5	14.3	4	16	160	80
3/4"	20	20	43	1.6	123	F03-F04	36-42	9	9	R3	R3	-	98	70	11	4	16	153	84	117	82.5	15.9	4	19	165	84
1"	25	25	51	1.6	153	F04-F05	42-50	11	11	R3	R3.5	-	108	79.5	11	4	16	168	96	124	89	17.5	4	19	180	96
1 1/4"	32	32	64	1.6	403	F07	70	19	17	-	-	Ø10	-	-	-	-	-	171	133	98.5	19.1	4	19	221	171	
1 1/2"	40	40	73	1.6	403	F07	70	19	17	-	-	Ø10	127	98.5	14	4	16	221	171	156	115	20.7	4	22	234	171
2"	50	50	92	1.6	403	F07	70	19	17	-	-	Ø10	152	120.5	16	4	19	254	176	165	127	22.3	8	19	254	176
2 1/2"	65	65	105	1.6	504	F10	102	24	22	-	-	Ø12	178	139.5	18	4	19	300	208	190	149	25.4	8	22	300	198
3"	80	76	127	1.6	504	F10	102	24	22	-	-	Ø12	190	152.5	19	4	19	305	216	210	168	28.6	8	22	305	216
4"	100	96	157	1.6	504	F10	102	24	22	-	-	Ø12	229	190.5	24	8	19	369	236	254	200	31.8	8	22	369	236
6"	150	148	216	1.6	800	F14	140	38	36	-	-	Ø18	279	241.5	25	8	22	480	329	318	270	36.6	12	22	498	329
8"	200	200	270	1.6	1000	F14	140	40	36	-	-	Ø18	343	298.5	29	8	22	630	354	-	-	-	-	-	-	-

规格

设计
三通球阀
四片式设计, 全通径. L型或T型
两端密封, 免维修, 顶法兰ISO5211

操作
气动双作用或单作用

连接
DIN 2633 ASME B16.5 GB/T 9113
HG/T 20592 HG/T 20615

压力范围
PN16
(请参照手动压力-温度图)

公称压力
PN16/PN25/PN40
150LB/300LB

温度范围
PEEK: -40°C - +250°C
S-PTFE: -30°C - +200°C
R-PTFE: -30°C - +200°C

材料
阀体: WCB
CF8
CF8M

球芯: 304
316

球芯密封: PEEK/S-PTFE/R-PTFE

阀杆密封: PEEK/S-PTFE/R-PTFE

执行器
缸体: 铝合金, 其他请咨询

盖子: 聚碳酸酯涂层

环境温度
-20°C - +80°C

气源介质
过滤后气体(除油、灰和水)

选项
两位三通或两位五通阀, 限位开关, 定位器,
过滤减压阀, 手动离合器

更多规范请根据球阀(BVC/BVD)和执行器(PA)
数据表

以上信息仅供参考, 埃克美迅公司保留修
改的权利, 恕不另行通知

Specification

DESIGN
3-way ball valve
4-piece design, Full bore. L or T
configuration. Sealed at both ends,
maintenance free. Top flange ISO 5211

OPERATION
Pneumatic double-acting or single-acting

CONNECTION
DIN 2633 ASME B16.5 GB/T 9113
HG/T 20592 HG/T 20615

PRESSURE RANGE
PN16
(Please refer to the manual pressure-temperature
chart)

NOMINAL PRESSURE
PN16/PN25/PN40
150LB/300LB

TEMPERATURE RANGE
PEEK: -40°C - +250°C
S-PTFE: -30°C - +200°C
R-PTFE: -30°C - +200°C

MATERIALS
Body: WCB
CF8
CF8M

Ball: 304
316

Ball seal: PEEK/S-PTFE/R-PTFE

Valve stem seal: PEEK/S-PTFE/R-PTFE

Actuator
Body: Aluminum alloy, Others on request

Cap: Polyurethane coating

EXTERNAL TEMPERATURE RANGE
-20°C - +80°C

PILOT MEDIA
Filtered gases (oil, ash and water removal)

OPTIONS
3/2-ways or 5/2-ways valve, limit switch, positioner,
filter reducer, manual clutch

For further specifications please refer to the ball
valve (BVC/BVD) and actuator (PA) data sheet

The above information is for reference only and
Eicmation reserves the right to alter without prior
notice.

型号:
BVC/BVD-PA
三通气动法兰球阀
全通径
PN16/PN25/PN40
150LB/300LB

WCB
CF8
CF8M



Type:
BVC/BVD-PA
3-Way pneumatic flange
ball valve
Full bore
PN16/PN25/PN40
150LB/300LB

WCB
CF8
CF8M

举例说明: 比如 BVC4433618-PA1115110
=L型手动三通球阀, CF8M/316, R-PTFE, PN16, 国标法兰连接, DN50, 气动执行器, 双作用, 阳极氧化铝, 活塞Ø75mm, NBR, 齿轮, 0°-90°

1. 字符 产品	2+3. 字符 阀体/内件	4. 字符 密封	5. 字符 标准压力	6. 字符 连接	7 + 8. 字符 口径	
BVC=L型手动三通球阀 BVD=T型手动三通球阀	23=WCB/304 24=WCB/316 33=CF8/304 44=CF8M/316	3=R-PTFE K=PEEK 9=S-PTFE	3=PN16/150LB 4=PN25 5=PN40/300LB	6=国标法兰 M=美标法兰	13=1/2" 14=3/4" 15=1" 17=1-1/2" 18=2" 19=2-1/2" 20=3"	21=4" 23=6" 24=8"

9. 字符 产品	10. 字符 功能	11. 字符 材质	12 + 13. 字符 规格		14. 字符 密封	15. 字符 结构	16. 字符 行程
PA=气动执行器	1=双作用 2=单作用常闭 3=单作用常开	1=铝合金 2=不锈钢	13=Ø52 14=Ø63 15=Ø75 16=Ø83 17=Ø92 18=Ø105 19=Ø125 20=Ø140 21=Ø160	22=Ø190 23=Ø210 24=Ø240 25=Ø270 26=Ø300 27=Ø350 28=Ø400	1=NBR 2=HNBR 3=FKM	1=齿轮	0=0-90° 1=0-120° 2=0-135° 3=0-150° 4=0-180° 5=0-270°

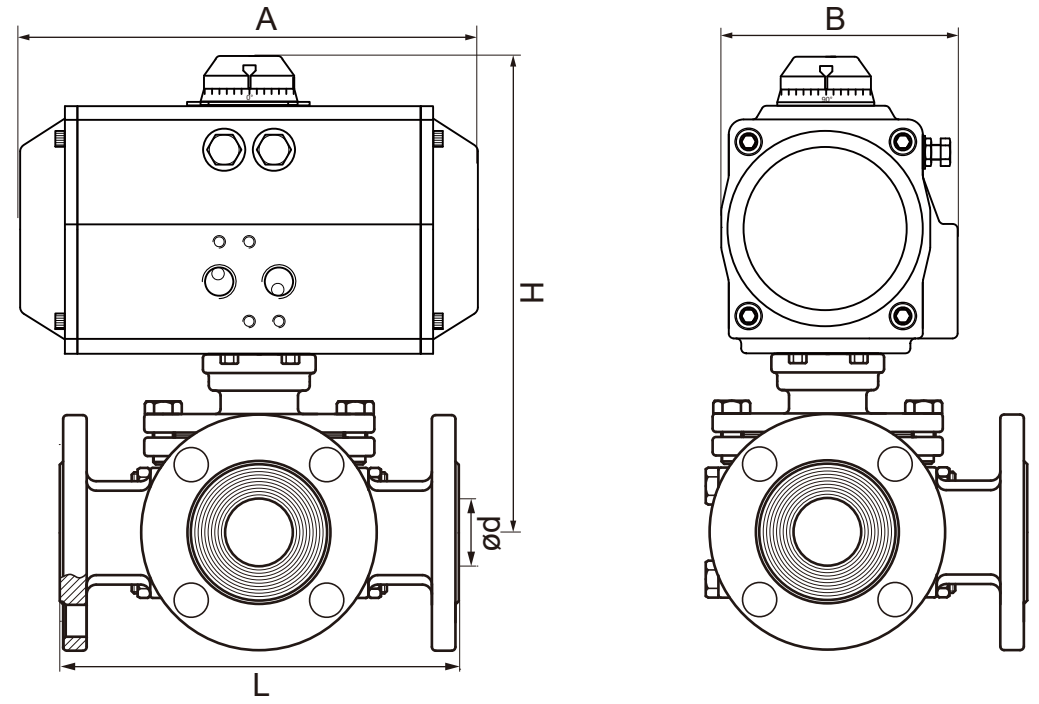
Ordering example: e.g. BVC4433618-PA1115110
= 3-way flange ball valve "L" port, CF8M/316, PTFE, PN16, L-configuration flange, DN50 Pneumatic actuator, Double action, Anodising aluminum, Piston Ø75mm, NBR, Gear, 0°-90°

A. Type	B+C. Body/Trim	D. Seal	E. Pressure criteria	F. Connection	G + H. Size	
BVC=3-way flange ball valve "L" port BVD=3-way flange ball valve "T" port	23=WCB/304 24=WCB/316 33=CF8/304 44=CF8M/316	3=R-PTFE K=PEEK 9=S-PTFE	3=PN16/150LB 4=PN25 5=PN40/300LB	6=GB Flange M=ASME Flange	13=1/2" 14=3/4" 15=1" 17=1-1/2" 18=2" 19=2-1/2" 20=3"	21=4" 23=6" 24=8"

I. Product	J. Function	K. Material	L+M. Specifications		N. Seal	O. Structure	P. Trip
PA=Pneumatic actuator	1=Double action 2=Single action-close 3=Single action-open	1=Aluminium alloy 2=Stainless steel	13=Ø52 14=Ø63 15=Ø75 16=Ø83 17=Ø92 18=Ø105 19=Ø125 20=Ø140 21=Ø160	22=Ø190 23=Ø210 24=Ø240 25=Ø270 26=Ø300 27=Ø350 28=Ø400	1=NBR 2=HNBR 3=FKM	1=Gear	0=0-90° 1=0-120° 2=0-135° 3=0-150° 4=0-180° 5=0-270°

尺寸/Dimension

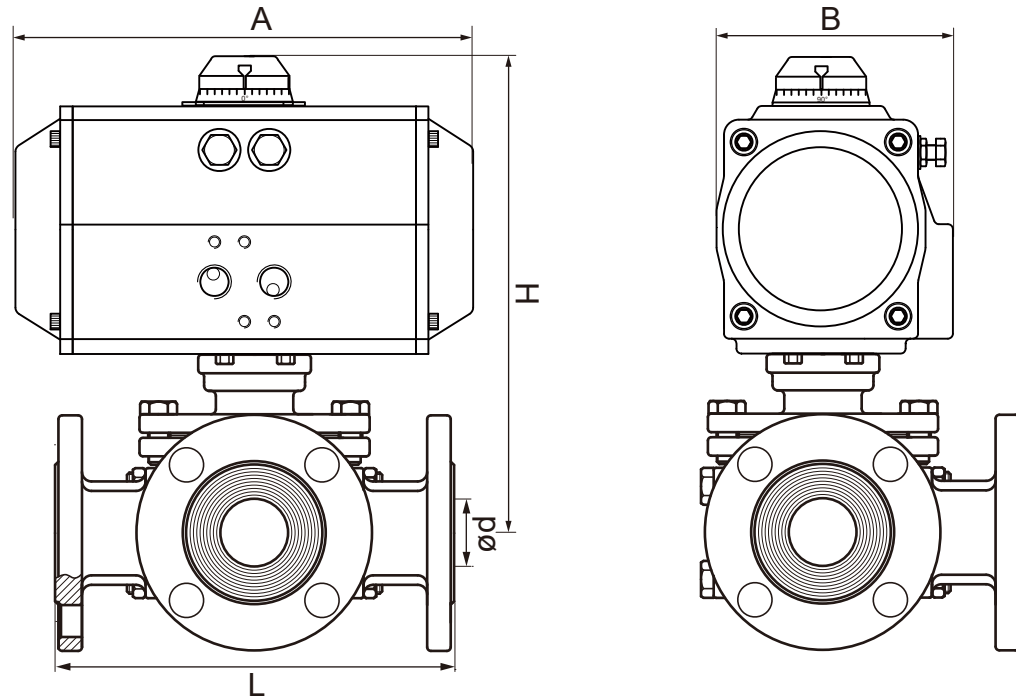
PN16/150LB



SIZE	DN	d	R-PTFE					Other					L	
			Actuator		A	B	H	Actuator						
			Model	Specification				Model	Specification	A	B	H	GB	ASME
1/2"	15	15	PA1114110	Ø63	166	83	189	PA1114110	Ø63	166	83	189	160	148
			PA2116110	Ø83	204	103	210	PA2116110	Ø83	204	103	210		
3/4"	20	20	PA1114110	Ø63	166	83	193	PA1115110	Ø75	184	95	205	165	153
			PA2116110	Ø83	204	103	214	PA2116110	Ø83	204	103	214		
1"	25	25	PA1115110	Ø75	184	95	215	PA1116110	Ø83	204	103	224	180	168
			PA2117110	Ø92	262	109	232	PA2117110	Ø92	262	109	232		
1 1/4"	32	32	PA1116110	Ø83	204	103	291	PA1116110	Ø83	204	103	291	234	-
			PA2118110	Ø105	268	121	315	PA2118110	Ø105	268	121	315		
1 1/2"	40	40	PA1116110	Ø83	204	103	291	PA1117110	Ø92	262	109	299	234	-
			PA2118110	Ø105	268	121	315	PA2119110	Ø125	301	143	337		
2"	50	50	PA1117110	Ø92	262	109	304	PA1117110	Ø92	262	109	304	273	254
			PA2119110	Ø125	301	143	342	PA2119110	Ø125	301	143	342		
2 1/2"	65	65	PA1118110	Ø105	268	121	347	PA1118110	Ø105	268	121	347	300	300
			PA2120110	Ø140	394	152	387	PA2120110	Ø140	394	152	387		
3"	80	76	PA1119110	Ø125	301	143	377	PA1119110	Ø125	301	143	377	305	305
			PA2120110	Ø140	394	152	395	PA2120110	Ø140	394	152	395		
4"	100	96	PA1119110	Ø125	301	143	397	PA1119110	Ø125	301	143	397	369	369
			PA212110	Ø160	458	174	440	PA212110	Ø160	458	174	440		
6"	150	148	PA1120110	Ø140	394	152	494	PA1120110	Ø140	394	152	494	480	480
			PA2122110	Ø190	528	206	553	PA2122110	Ø190	528	206	553		

注: 阀体详细数据请详见BVC/BVD 三通手动法兰球阀
以上为常规工况执行器配置尺寸,
如特殊工况的执行器配置详询埃克美迅技术部。

Note: Details please refer to BVC/BVD Handle 3-way flange ball valve;
Above information is under normal working condition, Please consult the technical department in case of special working conditions



SIZE	DN	d	R-PTFE						Other						L	
			Actuator		A	B	H	Actuator		A	B	H	GB	ASME		
			Model	Specification				Model	Specification							
1/2"	15	15	PA1115110	Ø75	184	95	191	PA1115110	Ø75	184	95	191	160	160		
			PA2117110	Ø92	262	109	208	PA2117110	Ø92	262	109	208				
3/4"	20	20	PA1115110	Ø75	184	95	195	PA1115110	Ø75	184	95	195	165	165		
			PA2117110	Ø92	262	109	212	PA2117110	Ø92	262	109	212				
1"	25	25	PA1116110	Ø83	204	103	214	PA1116110	Ø83	204	103	214	180	180		
			PA2118110	Ø105	268	121	238	PA2118110	Ø105	268	121	238				
1 1/4"	32	32	PA1117110	Ø92	262	109	289	PA1117110	Ø92	262	109	289	234	221		
			PA2118110	Ø105	268	121	305	PA2118110	Ø105	268	121	305				
1 1/2"	40	40	PA1117110	Ø92	262	109	289	PA1117110	Ø92	262	109	289	234	234		
			PA2119110	Ø125	301	143	327	PA2119110	Ø125	301	143	327				
2"	50	50	PA1118110	Ø105	268	121	310	PA1118110	Ø105	268	121	310	273	254		
			PA2120110	Ø140	394	152	350	PA2120110	Ø140	394	152	350				
2 1/2"	65	65	PA1119110	Ø125	301	143	359	PA1119110	Ø125	301	143	359	300	300		
			PA2120110	Ø140	394	152	377	PA2120110	Ø140	394	152	377				
3"	80	76	PA1119110	Ø125	301	143	367	PA1119110	Ø125	301	143	367	305	305		
			PA2121110	Ø160	458	174	410	PA2121110	Ø160	458	174	410				
4"	100	96	PA1120110	Ø140	394	152	405	PA1120110	Ø140	394	152	405	369	369		
			PA2121110	Ø160	458	174	430	PA2122110	Ø190	528	206	474				
6"	150	148	PA1121110	Ø160	458	174	509	PA1121110	Ø160	458	174	509	480	498		
			PA2123110	Ø210	532	226	578	PA2123110	Ø210	532	226	578				

注：阀体详细数据请详见BVC/BVD 三通手动法兰球阀
以上为常规工况执行器配置尺寸，
如特殊工况的执行器配置详询埃克美迅技术部。

Note:Details please refer to BVC/BVD Handle 3-way flange ball valve;
Above information is under normal working condition, Please consult the technical
department in case of special working conditions

规格

设计
三通球阀
四片式设计,全通径。L型或T型
两端密封,免维修,顶法兰ISO5211

操作
电动和手动操作

连接
DIN 2633 ASME B16.5 GB/T 9113
HG/T 20592 HG/T 20615

压力范围
PN16
(请参照手动压力-温度图)

公称压力
PN16/PN25/PN40
150LB/300LB

温度范围
PEEK: -40°C - +250°C
S-PTFE: -30°C - +200°C
R-PTFE: -30°C - +200°C

材料
阀体: WCB
CF8
CF8M

球芯: 304
316

球芯密封: PEEK/S-PTFE/R-PTFE

阀杆密封: PEEK/S-PTFE/R-PTFE

执行器
缸体: 铝合金,其他请咨询
盖子: 聚碳酸酯涂尘

环境温度
-20°C - +60°C

可选电压
24V DC,24V AC,110V AC
220V AC,380V AC

保护
IP 67

标准设备
限位开关,物理指示器,手动控制

选项
除湿加热器
过力矩保护
调节型4-20mA
Exd IIB T4
更多要求请咨询

更多规范请根据球阀(BVC/BVD)和执行器(KL)
数据表

以上信息仅供参考,本公司保留修改的权利,
恕不另行通知

Specification

DESIGN
3-way ball valve
4-piece design,Full bore. L or T
configuration. Sealed at both ends, maintenance
free. Top flange ISO5211

OPERATION
Electric and Handle operation

CONNECTION
DIN 2633 ASME B16.5 GB/T 9113
HG/T 20592 HG/T 20615

PRESSURE RANGE
PN16
(Please refer to the manual pressure-temperature
chart)

NOMINAL PRESSURE
PN16/PN25/PN40
150LB/300LB

TEMPERATURE RANGE
PEEK: -40°C - +250°C
S-PTFE: -30°C - +200°C
R-PTFE: -30°C - +200°C

MATERIALS
Body: WCB
CF8
CF8M

Ball: 304
316

Ball seal: PEEK/S-PTFE/R-PTFE

Valve stem seal:PEEK/S-PTFE/R-PTFE

Actuator
Body: Aluminum alloy,others on request
Cap: Polyurethane coating

EXTERNAL TEMPERATURE RANGE
-20°C - +60°C

OPTIONAL VOLTAGE
24V DC,24V AC,110V AC
220V AC,380V AC

PROTECTION
IP 67

STANDARD EQUIPMENT
additional limit switches, optical position
indicator, manual override

OPTIONS
Dehumidification heater
Overtorque protection
Modulate type 4-20mA
Exd IIB T4
For more requests please contact us

For further specifications please refer to the ball
valve (BVC/BVD) and actuator (KL) data sheet

The above information is for reference only and
Eicmation reserves the right to alter without prior
notice

型号:
BVC/BVD-KL

三通电动法兰球阀
全通径
PN16/PN25/PN40
150LB/300LB

WCB
CF8
CF8M

Type:
BVC/BVD-KL
3-Way electric flange ball
valve
Full bore
PN16/PN25/PN40
150LB/300LB
WCB
CF8
CF8M

举例说明: 比如 BVC44K3618-KL411111

=L型手动三通球阀, CF8M/316, PEEK, PN16, 国标法兰连接, DN50, 电动执行器, 220V AC, 50Nm, 开关型+干接点。

球阀

1. 字符 产品	2+3. 字符 阀体/内件	4. 字符 密封	5. 字符 标准压力	6. 字符 连接	7 + 8. 字符 口径	
BVC=L型电动三通球阀 BVD=T型电动三通球阀	23=WCB/304 24=WCB/316 33=CF8/304 44=CF8M/316	K=PEEK 3=R-PTFE 9=S-PTFE	3=PN16/150LB 4=PN25 5=PN40/300LB	6=国标法兰 M=美标法兰	13=1/2" 14=3/4" 15=1" 17=1-1/2" 18=2" 19=2-1/2" 20=3"	21=4" 23=6" 24=8"

执行器

9. 字符 产品	10. 字符 电压	11. 字符 防爆等级	12+13. 字符 扭矩 (NM)	14. 字符 附件	15. 字符 备用
KL=基本型角行程 电动执行器	1=24V DC 2=24V AC 3=110V AC 4=220V AC 5=380V AC	1=无 2=Exd II BT4 (50-600NM)	11=50 13=100 15=200 17=400 19=600 21=1000 23=2000	1=开关+干接点 2=调节型4~20mA	1=无 2=电位计1K~10K 3=电流位置传感器4~20mA 4=过载保护(200-2000NM) 8=除湿保护

Ordering example: e.g. BVC44K3618-KL411111

=3-way flange ball valve "L" port, CF8M/316, PEEK, PN16, GB flange, DN50, Electric actuator, 220V AC, 50Nm, On/off type+dry contact

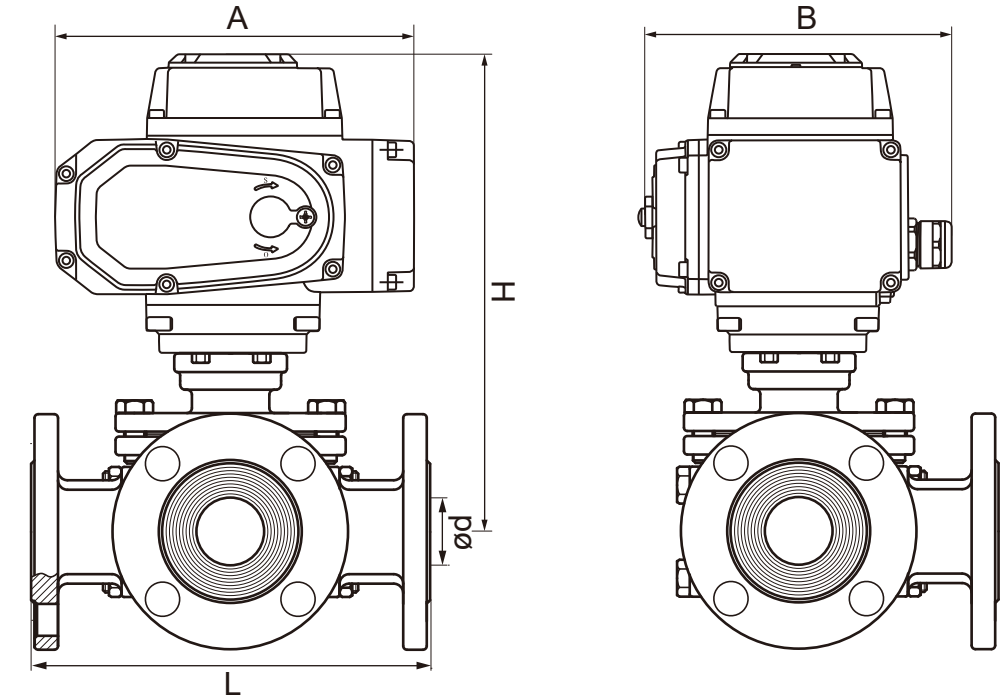
Ball valve

A. Type	B+C. Body/Trim	D. Seal	E. Standard pressure	F. Connection	G + H. Size	
BVC=3-way flange ball valve "L" port BVD=3-way flange ball valve "T" port	23=WCB/304 24=WCB/316 33=CF8/304 44=CF8M/316	K=PEEK 3=R-PTFE 9=S-PTFE	3=PN16/150LB 4=PN25 5=PN40/300LB	6=GB Flange M=ASME Flange	13=1/2" 14=3/4" 15=1" 17=1-1/2" 18=2" 19=2-1/2" 20=3"	21=4" 23=6" 24=8"

Actuator

I. Type	J. Voltage	K. Explosion proof grade	L+M. Torque(NM)	N. Extra	O. Spare
KL=Basic angle stroke Electric actuator	1=24V DC 2=24V AC 3=110V AC 4=220V AC 5=380V AC	1=None 2=Exd II BT4 (50-600NM)	11=50 13=100 15=200 17=400 19=600 21=1000 23=2000	1=On/Off type+dry contact 2=Modulate type 4~20mA	1=No 2=1K~10K potentiometer 3=Current position sensor 4~20mA 4=Overload protection (200-2000NM) 8=Arefraction protect

PN16/150LB

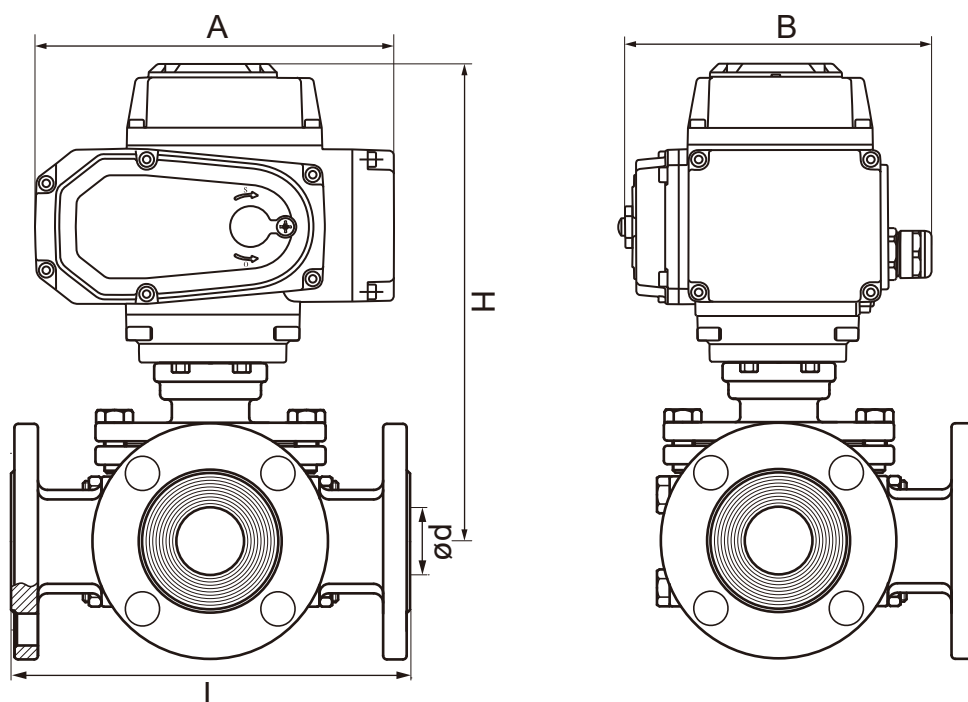


SIZE	DN	d	R-PTFE					Other					L	
			Actuator		A	B	H	Actuator		A	B	H		
			Model	Torque(NM)				Model	Torque(NM)				GB	ASME
15	1/2"	15	KL111111	50	165	140.5	208.5	KL111111	50	165	140.5	208.5	160	148
			KL121111	50	170.5	120.5	221	KL121111	50	170.5	120.5	221		
20	3/4"	20	KL111111	50	165	140.5	212.5	KL111111	50	165	140.5	212.5	165	153
			KL121111	50	170.5	120.5	225	KL121111	50	170.5	120.5	225		
25	1"	25	KL111111	50	165	140.5	222.5	KL111311	100	165	140.5	253.5	180	168
			KL121111	50	170.5	120.5	235	KL121311	100	170.5	120.5	267		
32	1 1/4"	32	KL111311	100	211.5	154	320.5	KL111311	100	211.5	154	320.5	234	-
			KL121311	100	217.5	139	334	KL121311	100	217.5	139	334		
40	1 1/2"	40	KL111311	100	211.5	154	320.5	KL111311	100	211.5	154	320.5	234	221
			KL121311	100	217.5	139	334	KL121311	100	217.5	139	334		
50	2"	50	KL111311	100	211.5	154	325.5	KL111511	200	259	186	360	273	254
			KL121311	100	217.5	139	339	KL121511	200	217.5	139	339		
65	2 1/2"	65	KL111511	200	259	186	387	KL111511	200	259	186	387	300	300
			KL121511	200	217.5	139	366	KL121511	200	217.5	139	366		
80	3"	76	KL111511	200	259	186	395	KL111711	400	259	186	395	305	305
			KL121511	200	217.5	139	374	KL121711	400	266.5	170	405		
100	4"	96	KL111711	400	259	186	415	KL111711	400	259	186	415	369	369
			KL121711	400	266.5	170	425	KL121711	400	266.5	170	425		
150	6"	148	KL111711	400	259	186	494	KL111911	600	259	186	494	480	480
			KL121711	400	266.5	170	504	KL121911	600	266.5	170	504		
200	8"	200	-	-	-	-	-	-	-	-	-	-	630	630
			-	-	-	-	-	-	-	-	-	-		

注: 阀体详细数据请详见BVC/BVD 三通手动法兰球阀
以上为常规工况执行器配置尺寸,
如特殊工况的执行器配置详询埃克美迅技术部。

Note: Details please refer to BVC/BVD Handle 3-way flange ball valve;
Above information is under normal working condition, Please consult the technical
department in case of special working conditions

PN25/PN40/300LB



SIZE	DN	d	R-PTFE						Other						L	
			Actuator		A	B	H	Actuator		A	B	H				
			Model	Torque(NM)				Model	Torque(NM)				GB	ASME		
15	1/2"	15	KL111111	50	165	140.5	208.5	KL111111	50	165	140.5	208.5	160	160		
			KL121111	50	170.5	120.5	221	KL121111	50	170.5	120.5	221				
20	3/4"	20	KL111111	50	165	140.5	212.5	KL111111	50	165	140.5	212.5	165	165		
			KL121111	50	170.5	120.5	225	KL121111	50	170.5	120.5	225				
25	1"	25	KL111311	100	211.5	154	253.5	KL111311	100	165	140.5	253.5	180	180		
			KL121311	100	217.5	139	267	KL121311	100	170.5	120.5	267				
32	1 1/4"	32	KL111311	100	211.5	154	320.5	KL111311	100	211.5	154	320.5	234	221		
			KL121311	100	217.5	139	334	KL121311	100	217.5	139	334				
40	1 1/2"	40	KL111311	100	211.5	154	320.5	KL111311	100	211.5	154	320.5	234	234		
			KL121311	100	217.5	139	334	KL121311	100	217.5	139	334				
50	2"	50	KL111511	200	259	186	360	KL111511	200	259	186	360	273	254		
			KL121511	200	217.5	139	339	KL121511	200	217.5	139	339				
65	2 1/2"	65	KL111511	200	259	186	387	KL111711	400	259	186	387	300	300		
			KL121511	200	217.5	139	366	KL121711	400	217.5	139	397				
80	3"	76	KL111711	400	259	186	395	KL111711	400	259	186	395	305	305		
			KL121711	400	266.5	170	405	KL121711	400	266.5	170	405				
100	4"	96	KL111711	400	259	186	415	KL111711	400	259	186	415	369	369		
			KL121711	400	266.5	170	425	KL121711	400	266.5	170	425				
150	6"	148	KL111911	600	259	186	494	KL111911	600	259	186	494	480	498		
			KL121911	600	266.5	170	504	KL121911	600	266.5	170	504				

注：阀体详细数据请详见BVC/BVD 三通手动法兰球阀
 以上为常规工况执行器配置尺寸，
 如特殊工况的执行器配置详询埃克美迅技术部。

Note:Details please refer to BVC/BVD Handle 3-way flange ball valve;
 Above information is under normal working condition, Please consult the technical
 department in case of special working conditions