

规格

设计
 两片式全通径
 防静电设计和防真空设计
 设计: ASME B16.34

操作
 手柄90°旋转

连接
 法兰标准
 DIN 2633 GB/T113 HG/T20592
 ASME B16.5 HG/T20615

公称压力
 PN16/PN25
 150LB

温度范围
 PTFE: -30°C - +180°C

材料
 阀体: WCB+PFA/F46
 CF8+PFA/F46
 CF8M+PFA/F46

球芯: WCB+PFA/F46
 CF8+PFA/F46
 CF8M+PFA/F46

球芯密封: PTFE

阀杆密封: PTFE

手柄: 不锈钢

选项
 电子指示器
 加长手柄
 手轮装置

Specification

DESIGN
 2-piece design full bore
 Anti-static and anti-vacuum design
 Design: ASME B16.34

OPERATION
 Handle 90° rotation

CONNECTION
 End Flange Norm
 DIN 2633 GB/T113 HG/T20592
 ASME B16.5 HG/T20615

NOMINAL PRESSURE
 PN16/PN25
 150LB

TEMPERATURE RANGE
 PTFE: -30°C - +180°C

MATERIALS
 Body: WCB+PFA/F46
 CF8+PFA/F46
 CF8M+PFA/F46

Ball: WCB+PFA/F46
 CF8+PFA/F46
 CF8M+PFA/F46

Ball seal: PTFE

Valve stem seal: PTFE

Handle: SS

OPTIONS
 Electrical position indicator
 Lengthened handle
 Handwheel device

型号:
 BMA

两片式内衬法兰球阀
 全通径
 PN16/25
 150LB

WCB+PFA/F46
 CF8+PFA/F46
 CF8M+PFA/F46



Type:
 BMA
 2PC lined flange ball valve

Full bore
 PN16/25
 150LB

WCB+PFA/F46
 CF8+PFA/F46
 CF8M+PFA/F46

以上信息仅供参考, 本公司保留修改的权利, 恕不另行通知

The above information is for reference only and Eicmation reserves the right to alter without prior notice

举例说明: 比如 BMA2A23618

=内衬两片式法兰球阀, WCB/WCB+PFA, PTFE, PN16, 国标法兰, DN50
球阀

1.字符 产品	2+3.字符 阀体/内件	4.字符 密封	5.字符 压力标准	6.字符 连接	7 + 8.字符 口径	
BMA=内衬两片式法兰 球阀 全通路	2A=WCB/WCB+PFA 2K=WCB/WCB+F46 3R=CF8/CF8+F46 3L=CF8/CF8+PFA 4R=CF8M/CF8M+F46 4L=CF8M/CF8M+PFA	2=PTFE	3=PN16/150LB 4=PN25	6=国标法兰 M=美标法兰	13=1/2" 14=3/4" 15=1" 16=1-1/4" 17=1-1/2" 18=2" 19=2-1/2"	20=3" 21=4" 22=5" 23=6" 24=8"

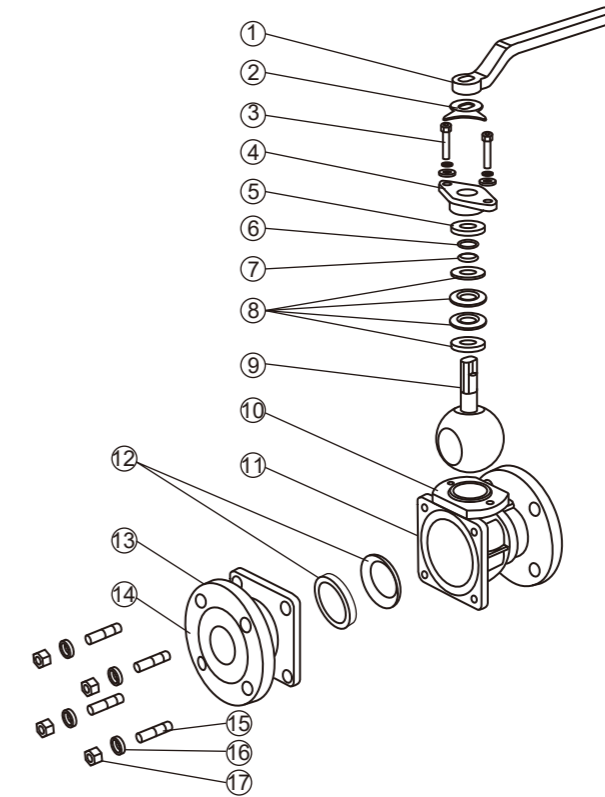
Ordering example: e.g. BMA2A23618

= 2PC Flanged ball valve lined, WCB/WCB+PFA,PTFE, PN16, GB Flange, DN50

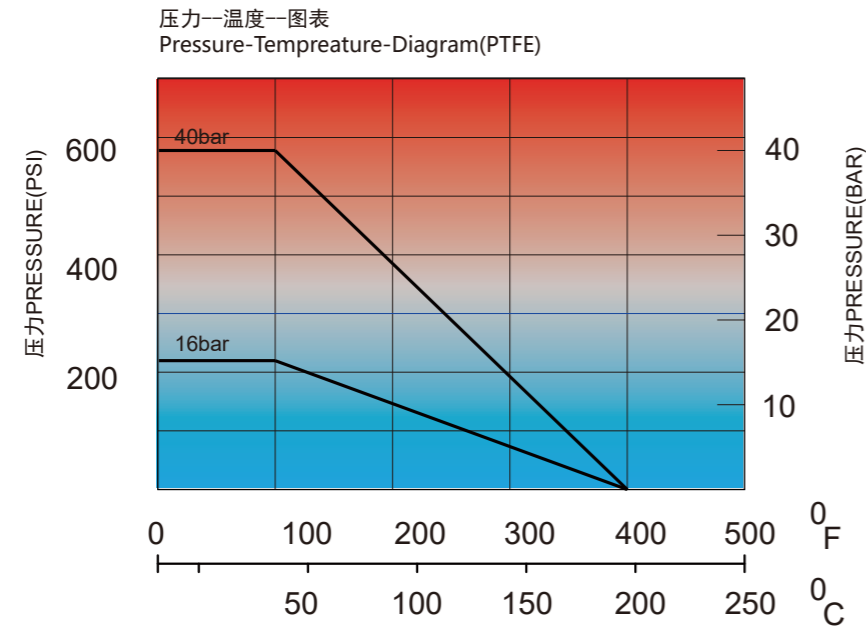
Ball valve

A. Type	B+C. Body/Trim	D. Seal	E. Standard pressure	F. Connection	G + H. Size	
BMA=2PC Flanged ball valves lined Full bore	2A=WCB/WCB+PFA 2K=WCB/WCB+F46 3R=CF8/CF8+F46 3L=CF8/CF8+PFA 4R=CF8M/CF8M+F46 4L=CF8M/CF8M+PFA	2=PTFE	3=PN16/150LB 4=PN25	6=GB Flange M=ASME Flange	13=1/2" 14=3/4" 15=1" 16=1-1/4" 17=1-1/2" 18=2" 19=2-1/2"	20=3" 21=4" 22=5" 23=6" 24=8"

零件说明/Parts list



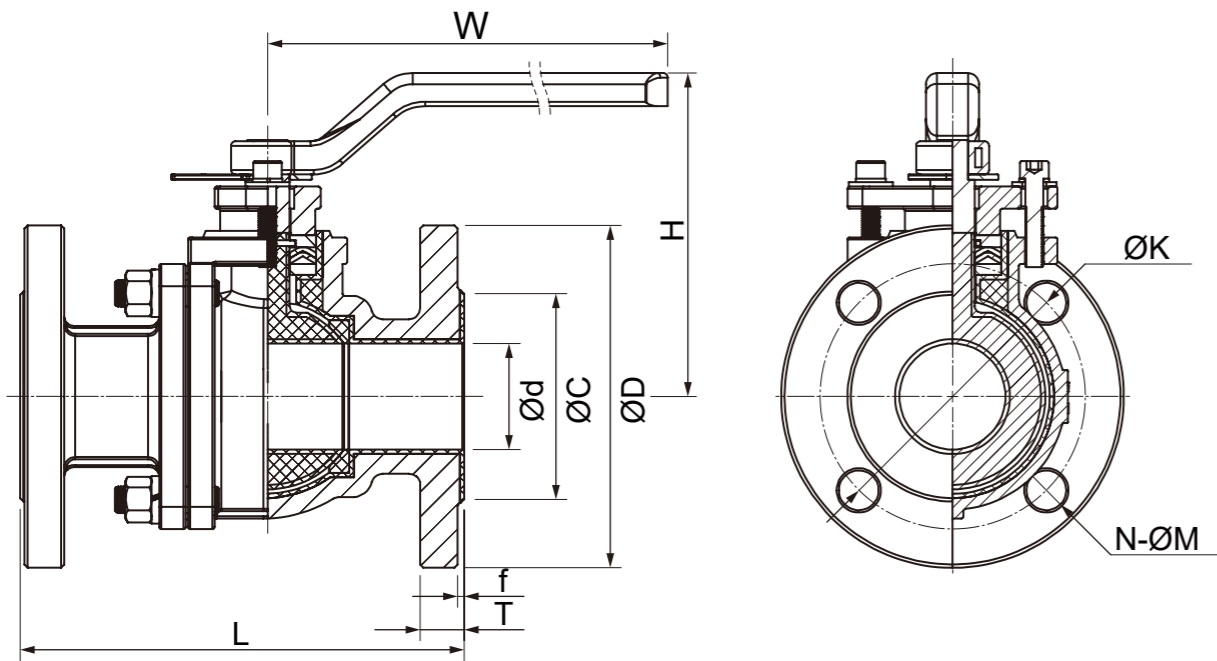
压力 - 温度 - 图表/Pressure - Temperature-Diagram



序号	描述	材料
1	手柄	铝合金
2	定位片	304
3	螺栓	304
4	压盖	WCB CF8 CF8M
5	垫圈	PTFE
6	O-型圈	FPM
7	O-型圈套	PTFE
8	填料	PTFE
9	阀杆球	WCB+PFA/F46 CF8+PFA/F46 CF8M+PFA/F46
10	阀体	WCB+PFA/F46 CF8+PFA/F46 CF8M+PFA/F46
11	阀体衬里	F46 PFA
12	阀座	PTFE
13	阀盖	WCB CF8 CF8M
14	阀盖衬里	F46 PFA
15	螺栓	304
16	弹簧垫圈	304
17	螺母	304

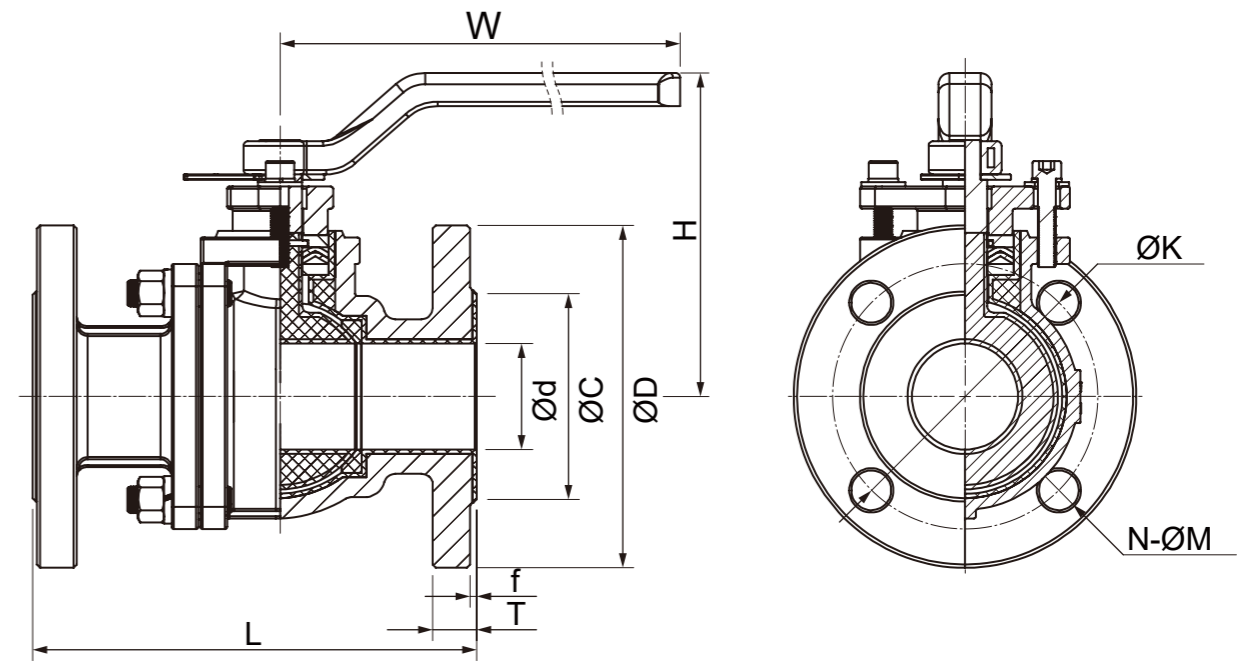
No.	Description	Material
1	Handle	Aluminum
2	Positioning sheet	304
3	Bolt	304
4	Gasket	WCB CF8 CF8M
5	Washer	PTFE
6	O-ring	FPM
7	O-type trap	PTFE
8	Packing	PTFE
9	Stem ball	WCB+PFA/F46 CF8+PFA/F46 CF8M+PFA/F46
10	Body	WCB+PFA/F46 CF8+PFA/F46 CF8M+PFA/F46
11	Body lining	F46 PFA
12	Seat	PTFE
13	Cap	WCB CF8 CF8M
14	Valve cover lining	F46 PFA
15	Bolt	304
16	Spring washers	304
17	Nut	304

ASME FLANGE



SIZE	DN	150LB								300LB								H	W	f
		L	D	C	ØK	N	M	T	Ød	L	D	C	ØK	N	M	T	Ød			
1/2"	15	108	89	34.9	60.5	4	16	12	140	95	34.9	66.5	4	16	15	15	90	120	2	
3/4"	20	117	98	42.9	70	4	16	12	152	117	42.9	82.5	4	19	16	20	95	140	2	
1"	25	127	108	50.8	79.5	4	16	12	165	124	50.8	89	4	19	18	25	110	160	2	
1 1/4"	32	140	117	63.5	89	4	16	13	178	133	63.5	98.5	4	19	19	32	110	160	2	
1 1/2"	40	165	127	73	98.5	4	16	15	190	156	73	114.5	4	22	21	40	120	180	2	
2"	50	178	152	92.1	120.5	4	19	16	216	165	92.1	127	8	19	23	50	140	230	2	
2 1/2"	65	190	178	104.8	139.5	4	19	18	241	190	104.8	149	8	22	26	65	160	280	2	
3"	80	203	190	127	152.5	4	19	19	283	210	127	168.5	8	22	29	80	180	300	2	
4"	100	229	229	157.2	190.5	8	19	24	305	254	157.2	200	8	22	32	100	210	320	2	
5"	125	254	254	185.7	216	8	22	24	381	279	185.7	235	8	22	35	125	400	320	2	
6"	150	394	279	215.9	241.5	8	22	26	403	318	215.9	270	12	22	37	150	500	400	2	
8"	200	457	343	269.9	298.5	8	22	29	502	381	269.9	330	12	25	42	200	-	-	2	

GB FLANGE



SIZE	DN	PN16								PN25								Ød	H	W	f
		L	D	C	ØK	N	M	T	Ød	L	D	C	ØK	N	M	T	Ød				
1/2"	15	130	95	39	65	4	14	16	130	95	39	65	4	14	16	15	90	120	2		
3/4"	20	130	105	50	75	4	14	18	130	105	50	75	4	14	18	20	95	140	2		
1"	25	140	115	57	85	4	14	18	140	115	57	85	4	14	18	25	110	160	2		
1 1/4"	32	165	140	65	100	4	18	18	165	140	65	100	4	18	18	32	110	160	2		
1 1/2"	40	165	150	75	110	4	18	18	165	150	75	110	4	18	18	40	120	180	3		
2"	50	203	165	87	125	4	18	18	203	165	87	125	4	18	20	50	140	230	3		
2 1/2"	65	222	185	109	145	8	18	18	222	185	109	145	8	18	22	65	160	280	3		
3"	80	241	200	120	160	8	18	20	241	200	120	160	8	18	24	80	180	300	3		
4"	100	305	220	149	180	8	18	20	305	235	149	190	8	23	24	100	210	320	3		
5"	125	356	250	175	210	8	18	22	356	270	175	220	8	25	26	125	400	320	3		
6"	150	394	285	203	240	8	23	22	394	300	203	250	8	25	28	150	500	400	3		
8"	200	457	340	259	295	12	23	24	457	360	259	310	12	25	30	200	-	-	3		

规格

设计

两片式全通径
防静电设计和防真空设计
设计:ASME B16.34

操作

气动双作用或单作用

连接

法兰标准
DIN 2633 GB/T113 HG/T20592
ASME B16.5 HG/T20615

公称压力

PN16/PN25
150LB

温度范围

PTFE: -30°C - +180°C

材料

阀体: WCB+PFA/F46
CF8+PFA/F46
CF8M+PFA/F46

球芯:

WCB+PFA/F46
CF8+PFA/F46
CF8M+PFA/F46

球芯密封: PTFE

阀杆密封: PTFE

环境温度

-20°C - +70°C

气源介质

过滤后气体(除油、灰和水)

选项

两位三通或两位五通阀, 电子或物理
指示器, 定位器, 过滤减压阀, 手动
离合器

更多规范请根据球阀(BMA)和执行器
(PA)数据表

Specification

DESIGN

2-piece design full bore
Anti-static and anti-vacuum design
Design:ASME B16.34

OPERATION

Pneumatic double-acting or single-acting

CONNECTION

End Flange Norm
DIN 2633 GB/T113 HG/T20592
ASME B16.5 HG/T20615

NOMINAL PRESSURE

PN16/PN25
150LB

TEMPERATURE RANGE

PTFE: -30°C - +180°C

MATERIALS

Body: WCB+PFA/F46
CF8+PFA/F46
CF8M+PFA/F46

Ball:

WCB+PFA/F46
CF8+PFA/F46
CF8M+PFA/F46

Ball seal: PTFE

Valve stem seal: PTFE

EXTERNAL TEMPERATURE RANGE

-20°C - +70°C

PILOT MEDIA

Filtered gases (oil, ash and water removal)

OPTIONS

3/2-way or 5/2-way valve, electronic or physical
Indicator, Positioner, Filter Reducer

For further specifications please refer to the ball
valve (MAA) and actuator (KL) data sheet

型号:

BMA-PA

气动两片式内衬法兰球阀
全通径
PN16/PN25
150LB

WCB+PFA/F46
CF8+PFA/F46
CF8M+PFA/F46



Type:

BMA-PA

Pneumatic 2PC lined flange
ball valve
Full bore
PN16/PN25
150LB

WCB+F46/PFA
CF8+F46/PFA
CF8M+F46/PFA

举例说明: 比如 BMA2A23618-PA1114110

=内衬两片式法兰球阀, WCB/WCB+PFA, PTFE, PN16, 国标法兰, DN50, 气动执行器, 双作用, 阳极氧化铝, Ø63mm, NBR, 齿轮, 0°-90°
球阀

1.字符 产品	2+3.字符 阀体/内件	4.字符 密封	5.字符 压力标准	6.字符 连接	7 + 8.字符 口径	
BMA=内衬两片式法兰 球阀 全通径	2A=WCB/WCB+PFA 2K=WCB/WCB+F46 3R=CF8/CF8+F46 3L=CF8/CF8+PFA 4R=CF8M/CF8M+F46 4L=CF8M/CF8M+PFA	2=PTFE	3=PN16/150LB 4=PN25	6=国标法兰 M=美标法兰	13=1/2" 14=3/4" 15=1" 16=1-1/4" 17=1-1/2" 18=2" 19=2-1/2"	20=3" 21=4" 22=5" 23=6" 24=8"

执行器

9.字符 产品	10.字符 功能	11.字符 材质	12 + 13.字符 规格		14.字符 密封	15.字符 结构	16.字符 行程
PA=气动执行器	1=双作用 2=单作用常闭 3=单作用常开	1=铝合金 2=不锈钢	13=Ø52 14=Ø63 15=Ø75 16=Ø83 17=Ø92 18=Ø105 19=Ø125 20=Ø140 21=Ø160	22=Ø190 23=Ø210 24=Ø240 25=Ø270 26=Ø300 27=Ø350 28=Ø400	1=NBR 2=HNBR 3=FKM	1=齿轮	0=0-90° 1=0-120° 2=0-135° 3=0-150° 4=0-180° 5=0-270°

Ordering example: e.g. BMA2A23618-PA1114110

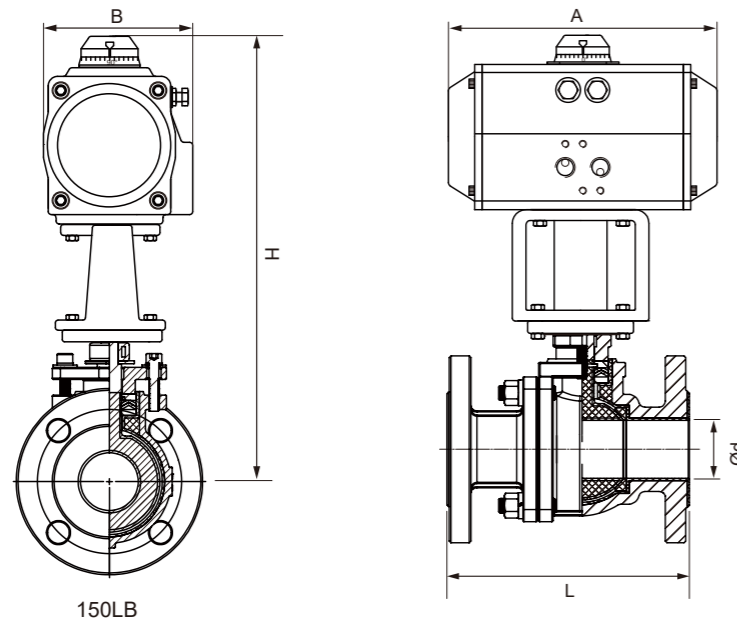
= 2PC lined Flanged ball valve, WCB/WCB+PFA, PTFE, PN16, GB Flange, DN50, Pneumatic actuator, Double action, Anodising aluminum, Ø63mm, NBR, Gear, 0°-90°

Ball valve

A. Type	B+C. Body/Trim	D. Sealing	E. Standard pressure	F. Connection	G + H. Size	
BMA=2PC Flanged ball valves lined Full bore	2A=WCB/WCB+PFA 2K=WCB/WCB+F46 3R=CF8/CF8+F46 3L=CF8/CF8+PFA 4R=CF8M/CF8M+F46 4L=CF8M/CF8M+PFA	2=PTFE	3=PN16/150LB 4=PN25	7=GB Flange M=ASME Flange	13=1/2" 14=3/4" 15=1" 16=1-1/4" 17=1-1/2" 18=2" 19=2-1/2"	20=3" 21=4" 22=5" 23=6" 24=8"

Actuator

I. Type	J. Fail position	K. Material	L + M. Specifications		N. Seal	O. Structure	P. Trip
PA=Pneumatic actuator	1=Double action 2=Single action-close 3=Single action-open	1=Aluminium alloy 2=Stainless steel	13=Ø52 14=Ø63 15=Ø75 16=Ø83 17=Ø92 18=Ø105 19=Ø125 20=Ø140 21=Ø160	22=Ø190 23=Ø210 24=Ø240 25=Ø270 26=Ø300 27=Ø350 28=Ø400	1=NBR 2=HNBR 3=FKM	1=Gear	0=0-90° 1=0-120° 2=0-135° 3=0-150° 4=0-180° 5=0-270°



SIZE	DN	Ød	Actuator		A	B	H	L	
			Model	Size				150LB	PN16/PN25
1/2"	15	15	PA1113110	Ø52	147	72	242	108	130
			PA2114110	Ø63	172	83	255		
3/4"	20	20	PA1114110	Ø63	172	83	253	117	130
			PA2115110	Ø75	184	95	272		
1"	25	25	PA1114110	Ø63	172	83	278	127	140
			PA2116110	Ø83	204	103	299		
1-1/4"	32	32	PA1115110	Ø75	184	95	287	140	165
			PA2116110	Ø83	204	103	299		
1-1/2"	40	40	PA1115110	Ø75	184	95	297	165	165
			PA2117110	Ø92	262	109	317		
2"	50	50	PA1116110	Ø83	204	103	329	178	203
			PA2118110	Ø105	268	121	353		
2-1/2"	65	65	PA1117110	Ø92	262	109	387	190	222
			PA2119110	Ø125	301	143	425		
3"	80	80	PA1118110	Ø105	268	121	423	203	241
			PA2120110	Ø140	394	152	463		
4"	100	100	PA1119110	Ø125	301	143	475	229	305
			PA2121110	Ø160	458	174	518		
5"	125	125	PA1120110	Ø140	394	152	683	254	356
			PA2122110	Ø190	528	206	742		
6"	150	150	PA1121110	Ø160	458	174	808	394	394
			PA2123110	Ø210	532	226	867		
8"	200	200	PA1122110	Ø190	528	206	562	457	457
			PA2124110	Ø240	660	260	631		

注：阀体详细数据请详见BMA 两片式内衬法兰球阀
以上为常规工况执行器配置尺寸，
如特殊工况的执行器配置详询埃克美迅技术部。

Note:Details please refer to BMA 2PC lined Flanged ball valve;
Above information is under normal working conditon, Please consult the technical
department in case of special working conditions

规格

设计
两片式全通路
防静电设计和防真空设计
设计：ASME B16.34

操作
电动和手动操作

连接
法兰标准
DIN 2633 GB/T113 HG/T20592
ASME B16.5 HG/T20615

公称压力
PN16/PN25
150LB

温度范围
PTFE: -30°C - +180°C

材料
阀体: WCB+PFA/F46
CF8+PFA/F46
CF8M+PFA/F46

球芯: WCB+PFA/F46
CF8+PFA/F46
CF8+PFA/F46

球芯密封: PTFE

阀杆密封: PTFE

手柄: 不锈钢

环境温度
-20°C - +60°C

可选电压
24V DC,24V AC,110V AC,220V AC,380V AC

防护
IP 67

标准设备
限位开关, 物理指示器, 手动控制

选项
电位计调节型4-20mA
Exd IIB T4 更多要求请咨询

更多规范请根据球阀 (BMA)和执行器
(KL)数据表

以上信息仅供参考, 埃克美迅公司保留
修改的权利, 恕不另行通知

Specification

DESIGN
2-piece design full bore
Anti-static and anti-vacuum design
Design: ASME B16.34

OPERATION
Electric and Handle operation

CONNECTION
End Flange Norm
DIN 2633 GB/T113 HG/T20592
ASME B16.5 HG/T20615

NOMINAL PRESSURE
PN16/PN25
150LB

TEMPERATURE RANGE
PTFE: -30°C - +180°C

MATERIALS
Body: WCB+PFA/F46
CF8+PFA/F46
CF8M+PFA/F46

Ball: WCB+PFA/F46
CF8+PFA/F46
CF8+PFA/F46

Ball seal: PTFE

Valve stem seal: PTFE

Handle: SS

EXTERNAL TEMPERATURE RANGE
-20°C - +60°C

OPTIONAL VOLTAGE
24V DC,24V AC,110V AC,220V AC,380V AC

PROTECTION
IP 67

STANDARD EQUIPMENT
additional limit switches, optical position
indicator, manual override,

OPTIONS
Potentiometer modulate 4-20mA
Exd IIB T4 For more requests please contact us

For further specifications please refer to the ball
valve (MAA) and actuator (KL) data sheet

The above information is for reference only and
Eicmation reserves the right to alter without prior
notice

型号:
BMA-KL
电动两片式内衬法兰球阀
全通路
PN16/PN25
150LB
WCB+F46/PFA
CF8+F46/PFA
CF8M+F46/PFA



Type:
BMA-KL
Electric 2PC lined flange
ball valve
Full bore
PN16/PN25
150LB
WCB+F46/PFA
CF8+F46/PFA
CF8M+F46/PFA

举例说明: 比如 BMA2A23618-KL411111

=内衬两片式法兰球阀, WCB/WCB+PFA, PTFE, PN16, 国标法兰, DN50, 电动执行器50Nm, 220VAC, 防护等级IP67, 开关+干接点球阀

1.字符 产品	2+3.字符 阀体/内件	4.字符 密封	5.字符 压力标准	6.字符 连接	7 + 8.字符 口径	
BMA=内衬两片式法兰球阀 全口径	2A=WCB/WCB+PFA 2K=WCB/WCB+F46 3R=CF8/CF8+F46 3L=CF8/CF8+PFA 4R=CF8M/CF8M+F46 4L=CF8M/CF8M+PFA	2=PTFE	3=PN16/150LB 4=PN25	6=国标法兰 M=美标法兰	13=1/2" 14=3/4" 15=1" 16=1-1/4" 17=1-1/2" 18=2" 19=2-1/2"	20=3" 21=4" 22=5" 23=6" 24=8"

执行器

9.字符 产品	10.字符 电压	11.字符 防护等级	12+13.字符 扭矩 (NM)	14.字符 附件	15.字符 备用
KL=基本型角行程 电动执行器	1=24V DC 2=24V AC 3=110V AC 4=220V AC 5=380V AC	1=IP67 2=IP68 3=Exd II BT4 (50-600NM)	11=50 13=100 15=200 17=400 19=600 21=1000 23=2000	1=开关+干接点 2=调节型4~20mA	1=无 2=电位计1K~10K 3=电流位置传感器4~20mA 4=过载保护(200-2000NM) 8=除湿保护

Ordering example: e.g. BMA2A23618-KL411111

=lined 2PC Flanged ball valve, WCB/WCB+PFA,PTFE,PN16,GB Flange, DN50,Electric actuator 50Nm,220V AC,protection class IP67
On/Off+dry contact

Ball valve

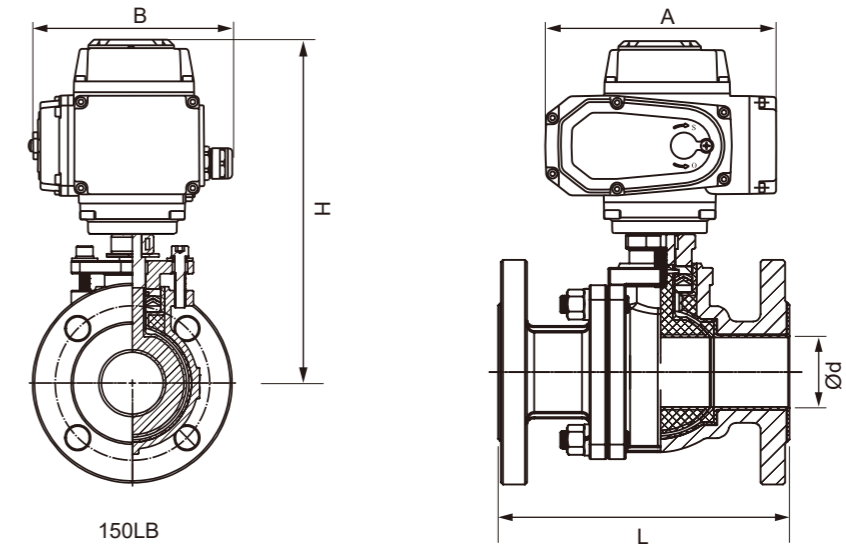
A. Type	B+C. Body/Trim	D. Sealing	E. Pressure criteria	F. Connection	G + H. Size	
BMA=2PC Flanged ball valves lined Full bore	2A=WCB/WCB+PFA 2K=WCB/WCB+F46 3R=CF8/CF8+F46 3L=CF8/CF8+PFA 4R=CF8M/CF8M+F46 4L=CF8M/CF8M+PFA	2=PTFE	3=PN16/150LB 4=PN25	6=GB Flange M=ASME Flange	13=1/2" 14=3/4" 15=1" 16=1-1/4" 17=1-1/2" 18=2" 19=2-1/2"	20=3" 21=4" 22=5" 23=6" 24=8"

Actuator

I. Type	J. Voltage	K. Protection class	L+M. Torque(NM)	N. Extra drycontact	O. Spare
KL=Basic angle stroke Electric actuator	1=24V DC 2=24V AC 3=110V AC 4=220V AC 5=380V AC	1=IP67 2=IP68 3=Exd II BT4 (50-600NM)	11=50 13=100 15=200 17=400 19=600 21=1000 23=2000	1=On/Off type +Limit switch 2=Modulate type 4~20mA	1=No 2=1K~10K potentiometer 3=Current position sensor 4~20mA 4=Overload protection (200-2000NM) 8=Arefaction protect

尺寸/Dimension

ASME FLANGE/DIN FLANGE



SIZE	DN	Ød	Actuator		A	B	H	L	
			Model	Torque(NM)				150LB	PN16/PN25
1/2"	15	15	KL111111	50	165.0	140.5	278	108	130
			KL121111	50	170.5	121	290		
3/4"	20	20	KL111111	50	165.0	140.5	283	117	130
			KL121111	50	170.5	121	295		
1"	25	25	KL111111	50	165.0	140.5	298	127	140
			KL121111	50	170.5	121	310		
1-1/4"	32	32	KL111111	50	165.0	140.5	298	140	165
			KL121111	50	170.5	121	310		
1-1/2"	40	40	KL111111	50	165.0	140.5	308	165	165
			KL121111	50	170.5	121	320		
2"	50	50	KL111111	100	211.5	154	359	178	203
			KL121111	100	217.5	139	372		
2-1/2"	65	65	KL111311	100	211.5	154	409	190	222
			KL121311	100	217.5	139	422		
3"	80	80	KL111511	200	259.0	186	463	203	241
			KL121511	200	217.5	139	442		
4"	100	100	KL111511	200	259.0	186	493	229	305
			KL121511	200	217.5	139	472		
5"	125	125	KL111711	400	259	186	683	254	356
			KL121711	400	266.5	170	693		
6"	150	150	KL111911	600	259	186	783	394	394
			KL121911	600	266.5	170	793		
8"	200	200	KL112111	1000	283	193	540	457	457
			KL122111	1000	-	-	-		

注: 阀体详细数据请详见BMA 两片式内衬法兰球阀
以上为常规工况执行器配置尺寸,
如特殊工况的执行器配置详询埃克美迅技术部。

Note:Details please refer to BMA 2PC lined Flanged ball valve;
Above information is under normal working conditon, Please consult the technical
department in case of special working conditions