

## 规格

### 设计

阀体为分体结构, 根据3A,DIN,ISO,SMS标准设计, 材料符合FDA117.2600

### 操作

拉杆手柄90°旋转,22.5°一卡

### 连接

焊接, 卡箍

### 表面处理

内部: 0.4-0.8um

外部: 0.8-1.6um

### 压力范围

DN15 - DN50: 10bar

### 温度范围

PTFE: -30°C - +180°C

### 材料

阀体: CF8  
CF8M

球芯: 304L  
316L

阀座密封: PTFE

阀杆密封: PTFE

轴: 不锈钢

手柄: SS

### 选项

电子指示器

加长手柄

手轮装置

## Specification

### DESIGN

The valve body has a split structure, according to 3A, DIN 11850.1, ISO, SMS standard design, material meets FDA117.2600

### OPERATION

90 ° rotation of the handle, Each 22.5°lockable

### CONNECTION

Weld, Clamp

### SURFACE TREATMENT

Internal : 0.4-0.8 um

External : 0.8-1.6 um

### PRESSURE RANGE

DN10 - DN50: 10bar

### TEMPERATURE RANGE

PTFE: -30°C - +180°C

### MATERIALS

Body: CF8  
CF8M

Ball: 304L  
316L

Seat seal: PTFE

Stem seal: PTFE

Shaft: Stainless steel

Handle: SS

### OPTIONS

Electrical position indicator

Lengthened handle

Handwheel device

### 型号:

MAA/MBA

ISO5211平台卫生球阀/  
手动卫生球阀  
PN10

CF8  
CF8M



### Type:

MAA/MBA

ISO5211 platform sanitary  
ball valve /  
Manual Sanitary Ball Valve

PN10  
CF8  
CF8M

以上信息仅供参考, 埃克美迅公司保留修改的权利, 恕不另行通知

The above information is for reference only and Eicmation reserves the right to alter without prior notice

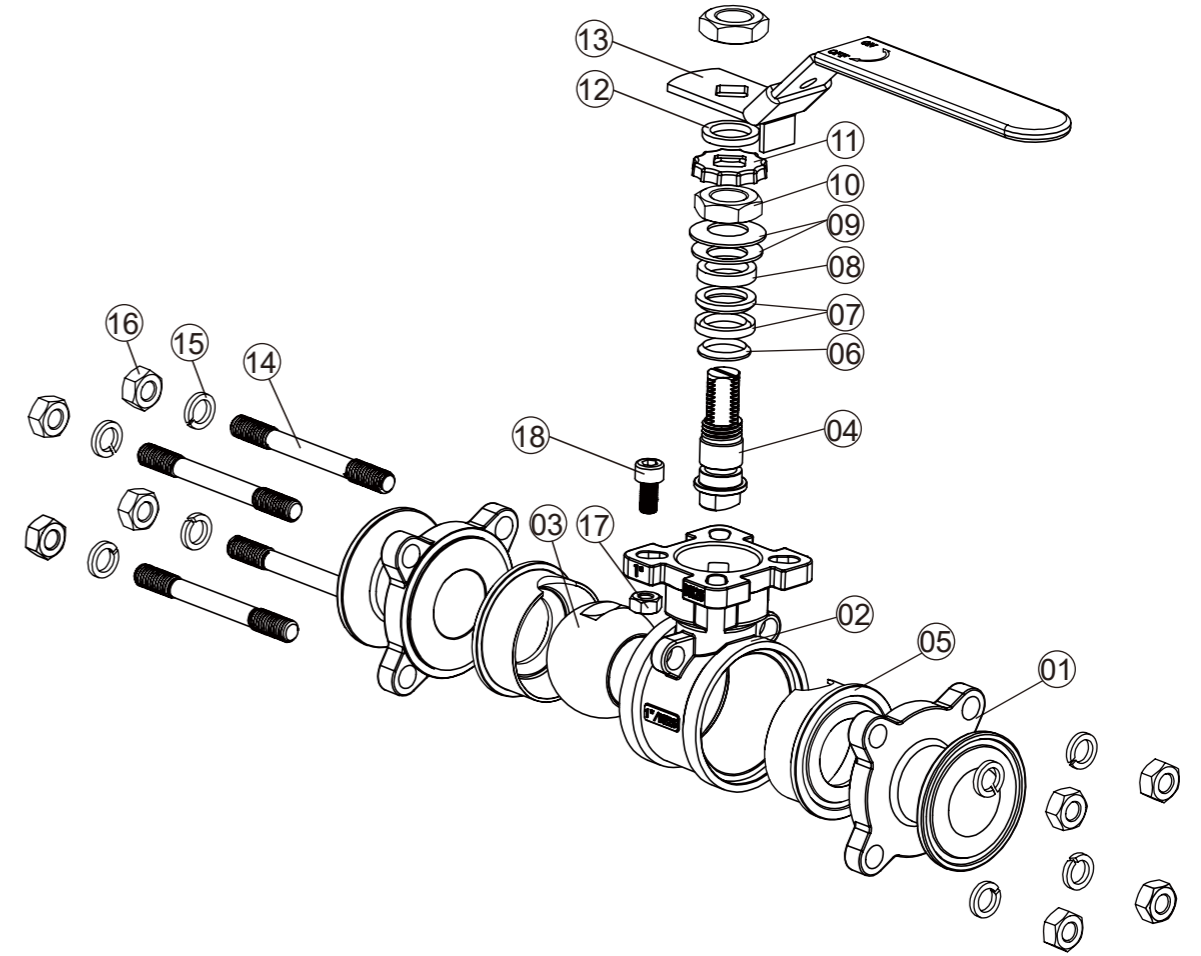
举例说明: 比如 MAA3522214  
 =ISO5211平台卫生球阀, CF8/304L, 卡箍, PTFE, DIN, DN20  
 球阀

1. 字符 产品	2+3. 字符 阀体/内件	4. 字符 密封	5. 字符 标准压力	6. 字符 连接	7 + 8. 字符 口径
MAA=ISO5211平台 卫生球阀 MBA=手动卫生球阀	35=CF8/304L 46=CF8M/316L	2=PTFE	2=PN10	S=对焊 2=卡箍	13=1/2" 16=1-1/4" 14=3/4" 17=1-1/2" 15=1" 18=2"

Ordering example: e.g. MAA3522214  
 =ISO5211 platform sanitary ball valve, CF8/304L, Clamps, PTFE, DIN, DN20  
 Ball valve

A. Type	B+C. Body/Internal	D. Seal	E. Standard pressure	F. Connection	G+H. Size
MAA=ISO5211 platform sanitary ball valve MBA=Manual sanitary ball valve	35=CF8/304L 46=CF8M/316L	2=PTFE	2=PN10	S=Weld 2=Clamp	13=1/2" 16=1-1/4" 14=3/4" 17=1-1/2" 15=1" 18=2"

## 零件说明/Parts list

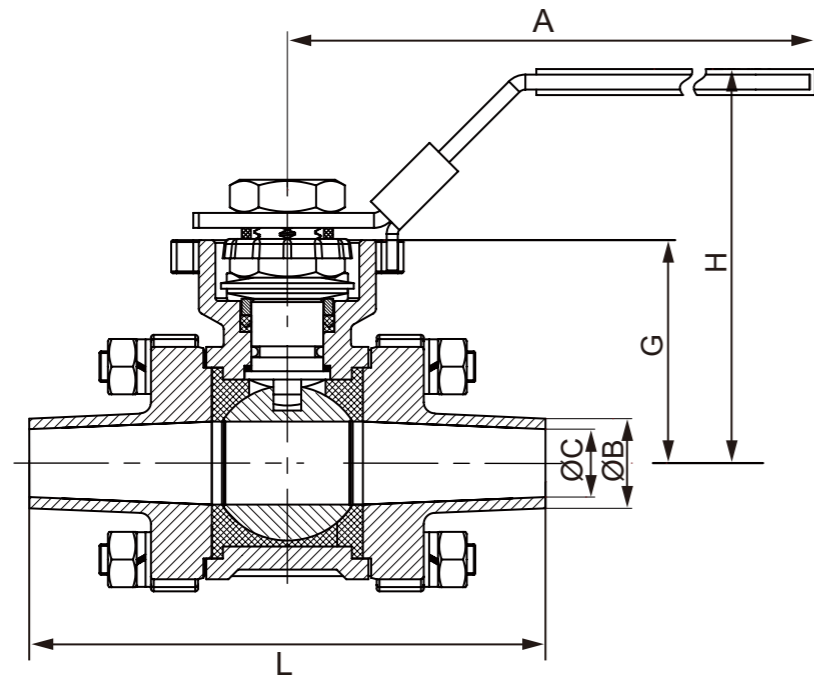


序号	描述	材料
1	阀盖	CF8 CF8M
2	阀体	CF8 CF8M
3	球芯	304L 316L
4	阀杆	304L 316L
5	阀体密封件	PTFE
6	薄片密封垫	PTFE
7	V型密封圈组件	PTFE
8	垫圈	304
9	弹簧垫	304
10	螺母	304
11	止动圈	304
12	垫片	PTFE
13	手柄	304
14	螺栓	304
15	弹垫	304
16	螺母	304
17	螺母	304
18	螺栓	304

NO.	Descripton	Material
1	Cap	CF8 CF8M
2	Body	CF8 CF8M
3	Ball	304L 316L
4	Stem	304L 316L
5	Seal	PTFE
6	Washer	PTFE
7	V-seal	PTFE
8	Gasket	304
9	Spring gasket	304
10	Nut	304
11	Stopper	304
12	Gasket	PTFE
13	Handle	304
14	Bolt	304
15	Spring gasket	304
16	Nut	304
17	Nut	304
18	Bolt	304

尺寸/Dimension

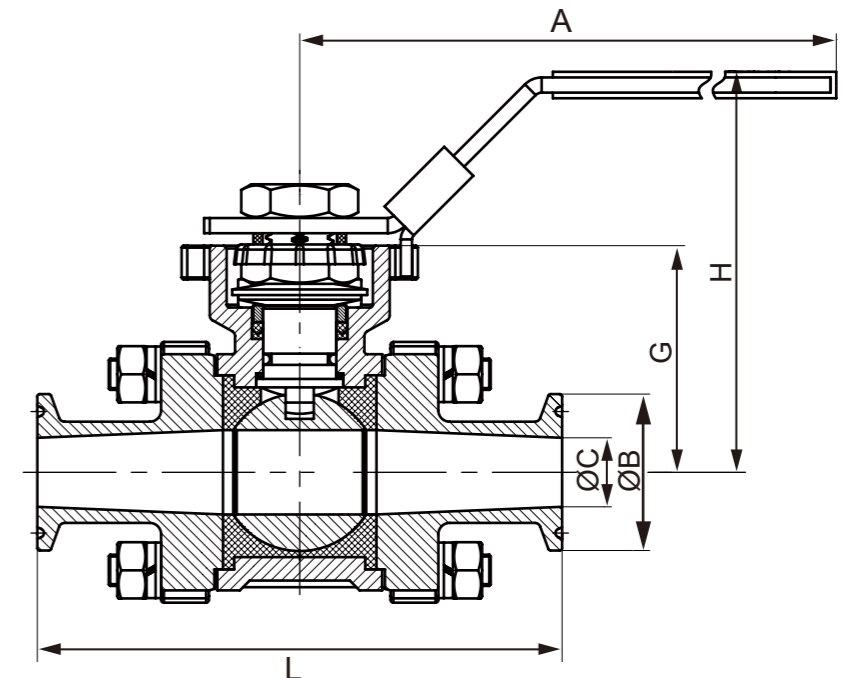
Weld



SIZE	DN	DIN		3A		SMS		L	G	H	A
		ØB	ØC	ØB	ØC	ØB	ØC				
1/2"	15	18	15	12.7	9.4	12.7	9.7	93	40.3	71	130
3/4"	20	22	19	19	15.75	19	16	103.5	42.3	73	130
1"	25	28	25	25.4	22.1	25.4	22.4	110	53.4	91.6	165
1-1/4"	32	34	31	31.8	28.5	31.8	28.8	120	58.4	96.6	165
1-1/2"	40	40	37	38.1	34.8	38.1	35.1	129	70.8	104	190
2"	50	52	49	50.8	47.5	50.8	47.8	145	77.8	110	190

尺寸/Dimension

Clamp



SIZE	DN	DIN		3A		SMS		L	G	H	A
		ØB	ØC	ØB	ØC	ØB	ØC				
1/2"	15	34	15	25.2	9.4	25.2	9.7	93	40.3	71	130
3/4"	20	50.5	19	25.2	15.75	25.2	16	103.5	42.3	73	130
1"	25	50.5	25	50.5	22.1	50.5	22.4	110	53.4	91.6	165
1-1/4"	32	50.5	31	50.5	28.5	50.5	28.8	120	58.4	96.6	165
1-1/2"	40	50.5	37	50.5	34.8	50.5	35.1	129	70.8	104	190
2"	50	64	49	64	47.5	64	47.8	145	77.8	110	190



## 规格

### 设计

阀体为分体结构, 根据3A,DIN,ISO,SMS标准设计, 材料符合FDA117.2600

### 操作

气动双作用或单作用

### 连接

焊接, 卡箍

### 表面处理

内部: 0.4-0.8µm  
外部: 0.8-1.6µm

### 压力范围

DN 15 - DN 50: 10bar

### 温度范围

PTFE: -30°C - +180°C

### 材料

阀体: CF8  
CF8M

球芯: 304L  
316L

阀座密封: PTFE

阀杆密封: PTFE

轴: 不锈钢

### 执行器

缸体: 铝合金, 其他请咨询  
盖子: 聚碳酸酯涂层

### 环境温度

-20°C - +70°C

### 气源介质

过滤后气体(除油、灰和水)

### 选项

两位三通或两位五通阀, 限位开关, 定位器, 过滤减压器, 手动离合器

更多规范请根据球阀(MAA)和执行器(PA)数据表

以上信息仅供参考, 埃克美迅公司保留修改的权利, 恕不另行通知

## Specification

### DESIGN

The valve body has a split structure, according to 3A, DIN, ISO, SMS standard design, material meets FDA117.2600

### OPERATION

Pneumatic double-acting or single-acting

### CONNECTION

Weld, Clamp

### SURFACE TREATMENT

Internal :0.4-0.8µm  
External :0.8-1.6µm

### PRESSURE RANGE

DN 15 - DN 50: 10bar

### TEMPERATURE RANGE

PTFE: -30°C - +180°C

### MATERIALS

Body: CF8  
CF8M

Ball: 304L  
316L

Seat seal: PTFE

Stem seal: PTFE

Shaft: Stainless steel

### ACTUATOR

Body: Aluminum alloy, Others on request  
Cap: Polyurethane coating

### EXTERNAL TEMPERATURE RANGE

-20°C - +70°C

### PILOT MEDIA

Filtered gases (oil, ash and water removal)

### OPTIONS

3/2-ways or 5/2-ways valve, limit switch, positioner, filter reducer, manual clutch

For further specifications please refer to the ball valve (MAA) and actuator (PA) data sheet

The above information is for reference only and Eicmation reserves the right to alter without prior notice

型号:  
MAA-PA  
气动卫生球阀  
PN10

CF8  
CF8M



Type:  
MAA-PA  
Pneumatic Sanitary  
Ball Valve  
PN10

CF8  
CF8M

举例说明: 比如 MAA3522214-PA1116110

=MAA卫生球阀, CF8/304L, 卡箍, PTFE, DIN, DN20, 气动执行器, 双作用, 阳极氧化铝, 活塞Ø83mm,NBR,齿轮, 0°-90°球阀

1.字符 产品	2+3.字符 阀体/内件	4.字符 密封	5.字符 标准压力	6.字符 连接	7 + 8.字符 口径
MAA=卫生球阀	35=CF8/304L 46=CF8M/316L	2=PTFE	2=PN10	S=对焊 2=卡箍	13=1/2" 16=1-1/4" 14=3/4" 17=1-1/2" 15=1" 18=2"

### 执行器

9.字符 产品	10+11.字符 功能	12.字符 材质	13 + 14.字符 规格	15.字符 密封	16.字符 结构	17.字符 行程
PA=气动执行器	1=双作用 2=单作用常闭 3=单作用常开	1=铝合金 2=不锈钢	13=Ø52 22=Ø190 14=Ø63 23=Ø210 15=Ø75 24=Ø240 16=Ø83 25=Ø270 17=Ø92 26=Ø300 18=Ø105 27=Ø350 19=Ø125 28=Ø400 20=Ø140 21=Ø160	1=NBR 2=HNBR 3=FKM	1=齿轮	0=0-90° 1=0-120° 2=0-135° 3=0-150° 4=0-180° 5=0-270°

Ordering example: e.g. MAA3522214-PA1116110

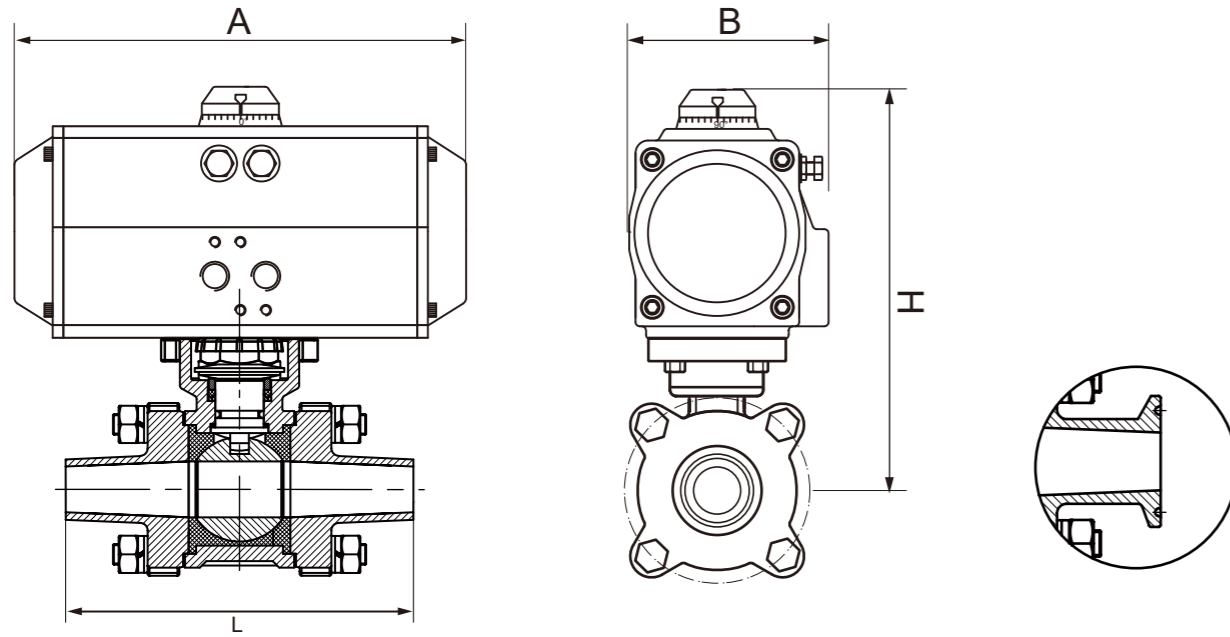
= MAA Sanitary ball valve, CF8/304L, Clamp, PTFE, DIN, DN20, Pneumatic actuator PA, Double action, Anodising aluminum, Piston Ø83mm, NBR, Gear 0°-90°

### Ball valve

A. Type	B+C. Body/Internal	D. Seal	E. Pressure	F. Connection	G+H. Size
MAA=Sanitary ball valve	35=CF8/304L 46=CF8M/316L	2=PTFE	2=PN10	S=Weld 2=Clamp	13=1/2" 16=1-1/4" 14=3/4" 17=1-1/2" 15=1" 18=2"

### Actuator

I. Product	J. Fail position	K. Material	L+M. Specifications	N. Seal	O. Structure	P. Trip
PA=Pneumatic actuator	1=Double action 2=Single action-close 3=Single action-open	1=Aluminum alloy 2=Stainless steel	13=Ø52 22=Ø190 14=Ø63 23=Ø210 15=Ø75 24=Ø240 16=Ø83 25=Ø270 17=Ø92 26=Ø300 18=Ø105 27=Ø350 19=Ø125 28=Ø400 20=Ø140 21=Ø160	1=NBR 2=HNBR 3=FKM	1=Gear	0=0-90° 1=0-120° 2=0-135° 3=0-150° 4=0-180° 5=0-270°



Weld

Clamp

SIZE	DN	Actuator		A	B	H	L
		Model	Size				
1/2"	15	PA1113110	Ø52	147	72	142.3	93
		PA2113110	Ø52	147	72	142.3	
3/4"	20	PA1113110	Ø52	147	72	144.3	103.5
		PA2113110	Ø52	147	72	144.3	
1"	25	PA1113110	Ø52	147	72	155.4	110
		PA2114110	Ø63	172	83	171.4	
1-1/4"	32	PA1114110	Ø63	172	83	176.4	120
		PA2115110	Ø75	184	95	188.4	
1-1/2"	40	PA1114110	Ø63	172	83	188.8	129
		PA2115110	Ø75	184	95	200.8	
2"	50	PA1115110	Ø75	184	95	207.8	145
		PA2116110	Ø83	204	103	216.8	

注：阀体详细数据请详见MAA手动卫生球阀。  
 以上为常规工况执行器配置尺寸，  
 如特殊工况的执行器配置详询埃克美迅技术部。

Note:Details please refer to MAA manual sanitary ball valve.  
 Above information is under normal working conditon,  
 Please consult the technical department in case of special working conditions

规格

**设计**  
 阀体为分体结构，根据3A,DIN,ISO,SMS标准设计，材料符合FDA117.2600

**操作**  
 电动和手动操作

**连接**  
 焊接，卡箍

**表面处理**  
 内部：0.4-0.8µm  
 外部：0.8-1.6µm

**压力范围**  
 DN10 - DN50: 10bar

**温度范围**  
 PTFE: -30°C - +180°C

**材料**  
 阀体: CF8  
 CF8M

球芯: 304L  
 316L

阀座密封: PTFE  
 阀杆密封: PTFE  
 轴: 不锈钢

**执行器**  
 缸体: 铝合金，其他请咨询  
 盖子: 聚碳酸酯涂层

**环境温度**  
 -20°C - +60°C

**可选电压**  
 24V DC,24V AC,110V AC,220V AC,380V AC

**防护**  
 IP 67

**标准设备**  
 限位开关, 物理指示器, 手动控制

**选项**  
 除湿加热器  
 过力矩保护  
 调节型4-20mA  
 Exd IIB T4  
 更多要求请咨询

更多规范请根据球阀(MAA)和执行器(KL)数据表

Specification

**DESIGN**  
 The valve body has a split structure, according to 3A, DIN,ISO, SMS standard design, material meets FDA117.2600

**OPERATION**  
 Electric and Handle operation

**CONNECTION**  
 Weld, Clamp

**SURFACE TREATMENT**  
 Internal :0.4-0.8µm  
 External :0.8-1.6µm

**PRESSURE RANGE**  
 DN10 - DN50: 10bar

**TEMPERATURE RANGE**  
 PTFE: -30°C - +180°C

**MATERIALS**  
 Body: CF8  
 CF8M

Ball 304L  
 316L

Seat seal: PTFE  
 Stem seal: PTFE  
 Shaft: Stainless steel

**ACTUATOR**  
 Body: Aluminum alloy, Others on request  
 Cap: Polyurethane coating

**EXTERNAL TEMPERATURE RANGE**  
 -20°C - +60°C

**OPTIONAL VOLTAGE**  
 24V DC,24V AC,110V AC,220V AC,380V AC

**PROTECTION**  
 IP 67

**STANDARD EQUIPMENT**  
 additional limit switches, optical position indicator, manual override

**OPTIONS**  
 Dehumidification heater  
 Overtorque protection  
 Modulate type 4-20mA  
 Exd IIB T4  
 For more requests please contact us

For further specifications please refer to the ball valve (MAA) and actuator (KL) data sheet

型号:  
 MAA-KL  
 电动卫生球阀  
 PN10

CF8  
 CF8M



Type:  
 MAA-KL  
 Electric Sanitary Ball Valve

PN10

CF8  
 CF8M

以上信息仅供参考，埃克美迅公司保留修改的权利，恕不另行通知

The above information is for reference only and Eicmation reserves the right to alter without prior notice

**举例说明:** 比如 MAA3522214-KL411220

=MAA卫生球阀, CF8/304L, 卡箍, PTFE, DIN, DN20, 电动执行器, 220VAC, 50Nm, 开关+干接点, 非防爆球阀

1. 字符产品	2+3. 字符阀体/内件	4. 字符密封	5. 字符压力标准	6. 字符连接	7 + 8. 字符口径	
MAA=卫生球阀	35=CF8/304L 46=CF8M/316L	2=PTFE	2=PN10	1=焊接 2=卡箍	13=1/2" 14=3/4" 15=1"	16=1-1/4" 17=1-1/2" 18=2"

9. 字符产品	10+11. 字符电压	12. 字符防爆等级	13+14. 字符扭矩 (NM)	15. 字符附件	16. 字符备用
KL=基本型角行程电动执行器	1=24V DC 2=24V AC 3=110V AC 4=220V AC 5=380V AC	1=无 2=Exd II BT4 (50-600NM)	11=50 13=100 15=200 17=400 19=600 21=1000 23=2000	1=开关+干接点 2=调节型4~20mA	1=无 2=电位计1K~10K 3=电流位置传感器4~20mA 4=过载保护 (200-2000NM) 8=除湿保护

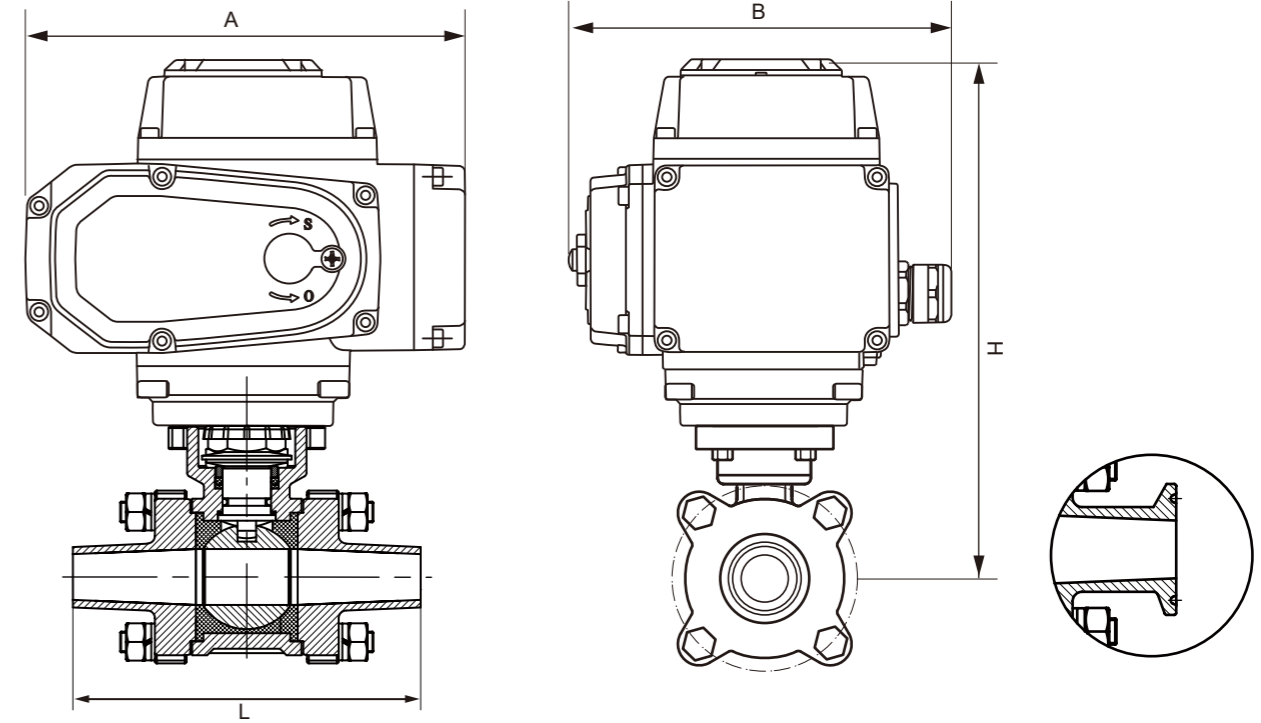
**Ordering example:** e.g. MAA3522214-KL411220

=MAA Sanitary ball valve, CF8/304L, Clamp, EPDM, DIN, DN20, Electric actuator, 220VAC, 50Nm, On/Off+dry contact, Non-explosion-proof Ball valve

A. Type	B+C. Body/Internal	D. Sealing	E. Standard pressure	F. Connection	G+H. Size	
MAA=Sanitary ball valve	35=CF8/304L 46=CF8M/316L	2=PTFE	2=PN10	1=Weld 2=Clamp	13=1/2" 14=3/4" 15=1"	16=1-1/4" 17=1-1/2" 18=2"

I. Type	J. Voltage	K. Explosion proof grade	L+M. Torque(NM)	N. Extra	O. Spare
KL=Basic angle stroke Electric actuator	1=24V DC 2=24V AC 3=110V AC 4=220V AC 5=380V AC	1=None 2=Exd II BT4 (50-600NM)	11=50 13=100 15=200 17=400 19=600 21=1000 23=2000	1=On/Off type +dry contact 2=Modulate type 4~20mA	1=No 2=1K~10K potentiometer 3=Current position sensor 4~20mA 4=Overload protection (200-2000NM) 8=Arefaction protect

## 尺寸/Dimension



Weld

Clamp

SIZE	DN	Actuator		A	B	H	L
		Model	Specification				
1/2"	15	KL111111	50NM	165	140.5	177.8	93
		KL121111	50NM	170.5	120.5	190.3	
3/4"	20	KL111111	50NM	165	140.5	179.8	103.5
		KL121111	50NM	170.5	120.5	192.3	
1"	25	KL111111	50NM	165	140.5	190.9	110
		KL121111	50NM	170.5	120.5	203.4	
1-1/4"	32	KL111111	50NM	165	140.5	195.9	120
		KL121111	50NM	170.5	120.5	208.4	
1-1/2"	40	KL111111	50NM	165	140.5	208.3	129
		KL121111	50NM	170.5	120.5	220.8	
2"	50	KL111111	50NM	165	140.5	215.3	145
		KL121111	50NM	170.5	120.5	227.8	

注: 阀体详细数据请详见MAA手动卫生球阀。  
以上为常规工况执行器配置尺寸,  
如特殊工况的执行器配置详询埃克美迅技术部。

Note: Details please refer to MAA manual sanitary ball valve.  
Above information is under normal working condition,  
Please consult the technical department in case of special working conditions