

规格

设计

阀体为分体结构, 根据3A,DIN,ISO,SMS标准设计, 材料符合FDA117.2600

操作

手柄90°旋转,10°一卡, 物理指示器

连接

焊接, 卡箍, 外螺纹

表面处理

内部: 0.4-0.8μm

外部: 0.8-1.6μm

压力范围

PN10

温度范围

EPDM: -20°C - +120°C

FPM: -20°C - +180°C

Silicone: -20°C -+150°C

材料

阀体: CF8
CF8M
阀板: F304L
F316L
阀座密封: EPDM/FPM/Silicone
阀杆密封: PTFE
轴: 不锈钢
密封: EPDM/FPM/Silicone

手柄: CF8

选项

电子指示器
加长手柄
手轮装置

Specification

DESIGN

The valve body has a split structure, according to 3A, DIN, ISO, SMS standard design, material meets FDA117.2600

OPERATION

90 ° rotation of the handle, Each 10°lockable, physical indicator

CONNECTION

Welding, clamp, male thread

SURFACE TREATMENT

Internal :0.4-0.8μm

External :0.8-1.6μm

PRESSURE RANGE

PN10

TEMPERATURE RANGE

EPDM: -20°C - +120°C

FPM: -20°C - +180°C

Silicone: -20°C -+150°C

MATERIALS

Body: CF8
CF8M
Disc: F304L
F316L
Seat seal: EPDM/FPM/Silicone
Stem seal: PTFE
Shaft: Stainless steel
Seal: EPDM/FPM/Silicone

Handle: CF8

OPTIONS

Electrical position indicator
Lengthened handle
Handwheel device

型号:

MLA/MDA

手动卫生蝶阀/
ISO5211平台卫生蝶阀
PN10

CF8
CF8M



Type:

MLA/MDA
Manual sanitary butterfly
valve/ISO5211platform
sanitary butterfly valve.
PN10

CF8
CF8M

以上信息仅供参考, 埃克美迅公司保留修改的权利, 恕不另行通知

The above information is for reference only and Eicmation reserves the right to alter without prior notice

举例说明: 比如 MLA3572218

=卫生蝶阀, CF8/F304L, EPDM, PN10, 卡箍连接, DN50

蝶阀

1. 字符 产品	2+3. 字符 阀体/内件	4. 字符 密封	5. 字符 压力标准	6. 字符 连接	7 + 8. 字符 口径	
MLA=卫生蝶阀 MDA=ISO5211平台 卫生蝶阀	35=CF8/F304L 46=CF8M/F316L	6=FPM 7=EPDM E=Silicone	2=PN10	S=对焊 2=卡箍 Y=外螺纹 X=对焊+外螺纹	12=3/8" 13=1/2" 14=3/4" 15=1" 16=1-1/4" 17=1-1/2"	18=2" 19=2-1/2" 20=3" 21=4" 22=5" 23=6"

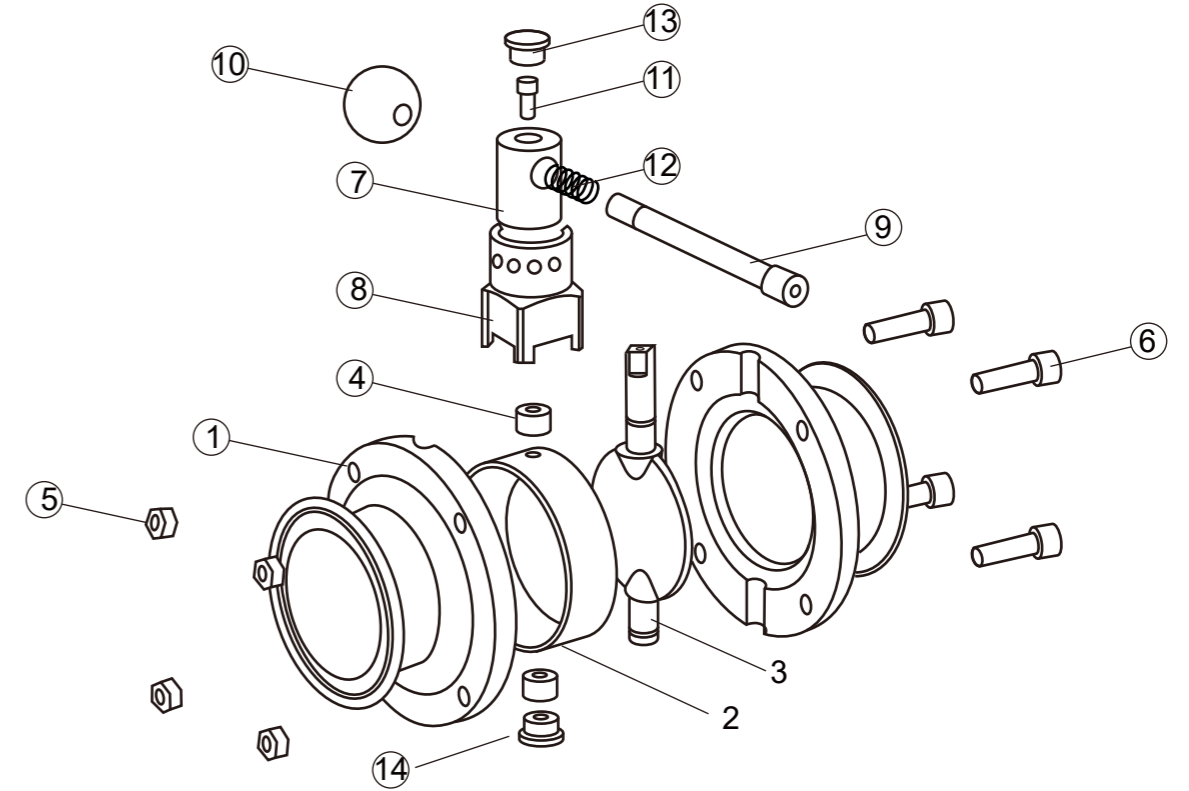
Ordering example: e.g. MLA3572218

= Sanitary butterfly valve ,CF8/F304L , EPDM, PN10, Clamp, DN50

Butterfly valve

A. Type	B+C. Body/Internal	D. Sealing	E. Pressure criteria	F. Connection	G+H. Size	
MLA=Sanitary butterfly valve MDA=ISO5211 platform sanitary butterfly valve.	35=CF8/F304L 46=CF8M/F316L	6=FPM 7=EPDM E=Silicone	2=PN10	S=Weld 2=Clamp Y=Male thread X=Weld+Male thread	12=3/8" 13=1/2" 14=3/4" 15=1" 16=1-1/4" 17=1-1/2"	18=2" 19=2-1/2" 20=3" 21=4" 22=5" 23=6"

零件说明/Parts list

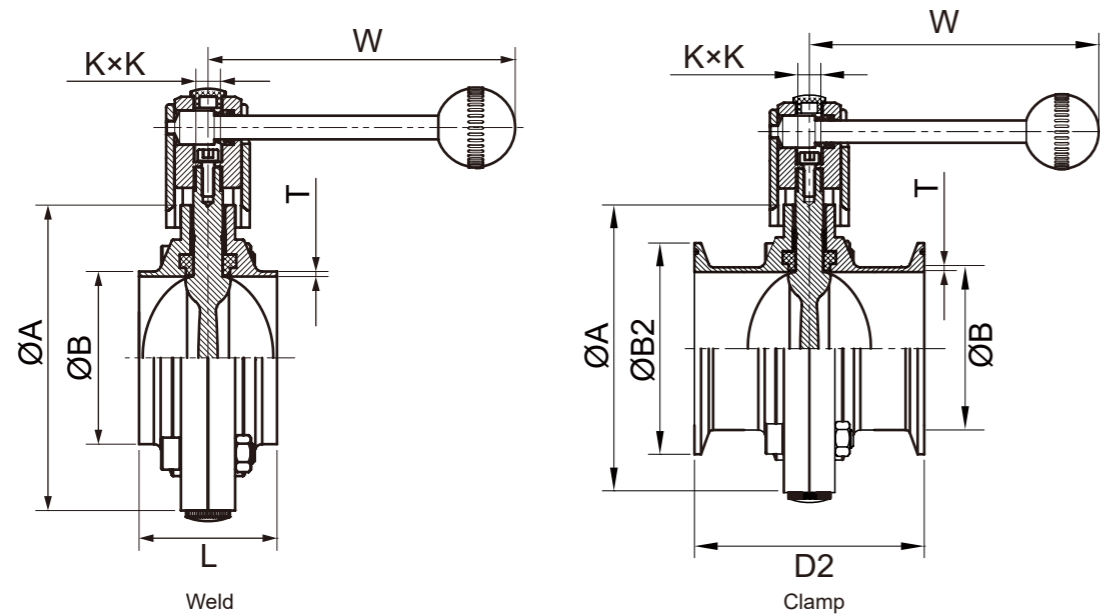


序号	描述	材料
1	阀体	CF8 CF8M
2	密封圈	Silicone EPDM FKM
3	蝶板	F304L F316L
4	衬套	Silicone EPDM FKM
5	六角螺母	F304
6	内六角螺钉	F304
7	旋转头	CF8
8	外套	CF8
9	拉杆	F304
10	手柄球	塑料
11	内六角螺钉	F304
12	弹簧	F304
13	塑料塞	塑料
14	塑料塞	塑料

NO.	Description	Material
1	Valve Body	CF8 CF8M
2	Seat Ring	Silicone EPDM FKM
3	Disc	F304L F316L
4	Bush	Silicone EPDM FKM
5	Hex Nut	F304
6	Bolt	F304
7	Rotary Head	CF8
8	Coat	CF8
9	Draw Bar	F304
10	Handle Ball	PVC
11	Bolt	F304
12	Spring	F304
13	Plastic Plug	PVC
14	Plastic Plug	PVC

尺寸/Dimension

Weld & Clamp



DIN

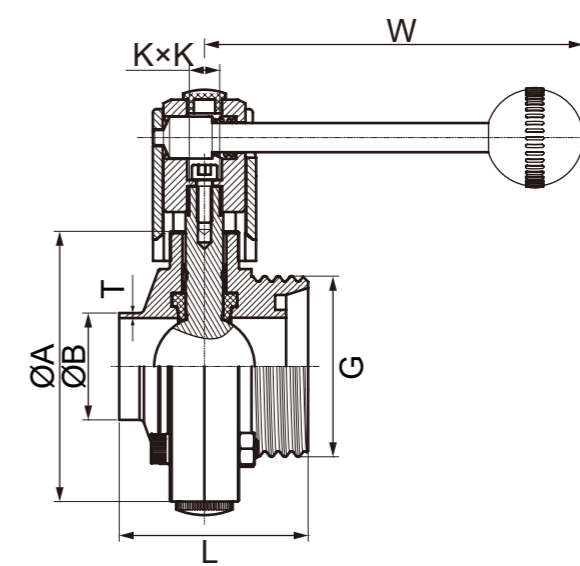
SIZE	DN	A	KxK	L	D2	B2	W	DIN11851		DIN11850-1		DIN11850-2	
								T	B	T	B	T	B
3/8"	10	78	10*10	50	-	-	136	2.5	15	1.5	12	1.5	13
1/2"	15	78	10*10	50	66	34.0	136	2.5	21	1.5	18	1.5	19
3/4"	20	78	10*10	50	66	34.0	136	2.5	25	1.5	22	1.5	23
1"	25	78	10*10	50	66	50.5	136	2.5	31	1.5	28	1.5	29
1 1/4"	32	86	10*10	50	66	50.5	136	2.5	37	1.5	34	1.5	35
1 1/2"	40	90	10*10	50	70	50.5	136	2.5	43	1.5	40	1.5	41
2"	50	106	10*10	52	76	64.0	136	2.5	55	1.5	52	1.5	53
2 1/2"	65	124	10*10	56	80	91.0	136	3.0	72	2.0	70	2.0	70
3"	80	139	10*10	58	84	106.0	163	3.0	87	2.0	85	2.0	85
4"	100	159	10*10	64	104	119.0	163	3.0	106	2.0	104	2.0	104
5"	125	186	14*14	70	113	145.0	185	3.5	132	2.0	129	2.0	129
6"	150	225	14*14	80	123	167.0	185	3.5	157	2.0	154	2.0	154

3A/SMS/ISO/IDF/DS/RJT

SIZE	DN	A	KxK	L	D2	B2	W	T				B	
								3A	SMS/ISO/IDF	DS	RJT	3A/SMS/ISO/IDF/DS	RJT
3/4"	20	78	10*10	50	66	25.2	136	1.65	1.5	1.45	1.725	19.05	19.50
1"	25	78	10*10	50	66	50.5	136	1.65	1.5	1.45	1.725	25.4	25.65
1 1/4"	32	86	10*10	50	66	50.5	136	1.65	1.5	1.45	1.725	31.8	32.05
1 1/2"	40	90	10*10	50	70	50.5	136	1.65	1.5	1.45	1.725	38.1	38.35
2"	50	106	10*10	52	76	64.0	136	1.65	1.5	1.45	1.725	50.8	51.05
2 1/2"	65	124	10*10	56	80	77.5	136	1.65	2.0	1.70	1.725	63.5	63.75
3"	80	139	10*10	58	84	91.0	163	1.65	2.0	2.20	1.725	76.2	76.45
4"	100	159	10*10	64	104	119.0	163	2.10	2.0	2.20	2.125	101.6	101.85
5"	125	186	14*14	70	113	145.0	185	2.10	2.0	2.20	2.125	127	127.25
6"	150	225	14*14	80	123	166.8	185	2.80	2.8	2.80	2.200	152.4	152.40

尺寸/Dimension

Weld & Male Thread

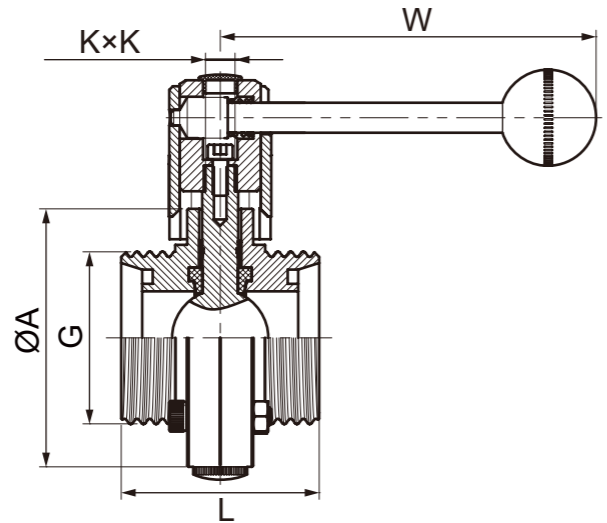


DIN

SIZE	DN	A	KxK	L	G	W	T	B	
								DIN11850-1	DIN11850-2
3/8"	10	78	10*10	50	RD28*1/8	136	1.5	12	13
1/2"	15	78	10*10	50	RD34*1/8	136	1.5	18	19
3/4"	20	78	10*10	50	RD44*1/6	136	1.5	22	23
1"	25	78	10*10	50	RD52*1/6	136	1.5	28	29
1 1/4"	32	86	10*10	50	RD58*1/6	136	1.5	34	35
1 1/2"	40	90	10*10	50	RD65*1/6	136	1.5	40	41
2"	50	106	10*10	52	RD78*1/6	136	1.5	52	53
2 1/2"	65	124	10*10	56	RD95*1/6	136	2.0	70	70
3"	80	139	10*10	58	RD110*1/4	163	2.0	85	85
4"	100	159	10*10	64	RD130*1/4	163	2.0	104	104

3A/SMS/ISO/IDF/DS/RJT

SIZE	DN	A	KxK	L	G					W	T	B		
					3A	SMS	ISO/IDF	DS	RJT			3A/SMS/ISO/IDF/DS	RJT	
3/4"	20	78	10*10	50	-	RD36*1/8	-	-	-	-	136	1.5	19.05	-
1"	25	78	10*10	50	37.13*1/8 TACME	RD40*1/6	37.1*1/8 TACME	RD44*1/6	45.7*1/8 TWHIT	-	136	1.5	25.4	25.65
1 1/4"	32	86	10*10	50	-	RD48*1/6	-	RD52*1/6	-	-	136	1.5	31.8	-
1 1/2"	40	90	10*10	50	50.65*1/8 TACME	RD60*1/6	50.6*1/8 TACME	RD58*1/6	58.4*1/8 TWHIT	-	136	1.5	38.1	38.35
2"	50	106	10*10	52	64.17*1/8 TACME	RD70*1/6	64.1*1/8 TACME	RD72*1/6	72.7*1/6 TWHIT	-	136	1.5	50.8	51.05
2 1/2"	65	124	10*10	56	77.67*1/8 TACME	RD85*1/6	77.6*1/8 TACME	RD88*1/6	85.4*1/6 TWHIT	-	136	2.0	63.5	63.75
3"	80	139	10*10	58	91.19*1/8 TACME	RD98*1/6	91.1*1/8 TACME	RD100*1/6	98.1*1/6 TWHIT	-	163	2.0	76.2	76.45
4"	100	159	10*10	64	119.25*1/6 TACME	RD125*1/4	118.2*1/8 TACME	RD130*1/6	123.5*1/6 TWHIT	-	163	2.0	101.6	101.85



DIN

SIZE	DN	A	K*K	L	G						W
					DIN	3A	SMS	ISO/IDF	DS	RJT	
3/8"	10	78	10*10	66	RD28*1/8	-	-	-	-	-	136
1/2"	15	78	10*10	66	RD34*1/8	-	-	-	-	-	136
3/4"	20	78	10*10	66	RD44*1/6	-	RD36*1/8	-	-	-	136
1"	25	78	10*10	66	RD52*1/6	37.13*1/8 TACME	RD40*1/6	37.1*1/8 TACME	RD44*1/6	45.7*1/8 TWHIT	136
1 1/4"	32	86	10*10	66	RD58*1/6	-	RD48*1/6	-	RD52*1/6	-	136
1 1/2"	40	90	10*10	70	RD65*1/6	50.65*1/8 TACME	RD60*1/6	50.6*1/8 TACME	RD58*1/6	58.4*1/8 TWHIT	136
2"	50	106	10*10	76	RD78*1/6	64.17*1/8 TACME	RD70*1/6	64.1*1/8 TACME	RD72*1/6	72.7*1/6 TWHIT	136
2 1/2"	65	124	10*10	80	RD95*1/6	77.67*1/8 TACME	RD85*1/6	77.6*1/8 TACME	RD88*1/6	85.4*1/6 TWHIT	136
3"	80	139	10*10	84	RD110*1/4	91.19*1/8 TACME	RD98*1/6	91.1*1/8 TACME	RD100*1/6	98.1*1/6 TWHIT	163
4"	100	159	10*10	104	RD130*1/4	119.25*1/6 TACME	RD125*1/4	118.2*1/8 TACME	RD130*1/6	123.5*1/6 TWHIT	163
5"	125	186	14*14	130	RD160*1/4	-	-	-	-	-	185
6"	150	225	14*14	150	RD190*1/4	-	-	-	-	-	185

规格

设计
阀体为分体结构, 根据3A,DIN,ISO,SMS标准设计, 材料符合FDA117.2600

操作
气动双作用或单作用

连接
焊接, 卡箍, 外螺纹

表面处理
内部: 0.4-0.8µm
外部: 0.8-1.6µm

压力范围
PN10

温度范围
EPDM: -20°C - +120°C
FPM: -20°C - +180°C
Silicone: -20°C - +150°C

材料
阀体: CF8, CF8M
阀板: F304L, F316L
阀座密封: EPDM/FPM/Silicone
阀杆密封: PTFE
轴: 不锈钢
密封: EPDM/FPM/Silicone

环境温度
-20°C - +70°C

气源介质
过滤后气体(除油、灰和水)

选项
两位三通或两位五通阀, 限位开关, 定位器, 过滤减压器, 手动离合器

更多规范请根据蝶阀(MDA)和执行器(PA)数据表

Specification

DESIGN
The valve body has a split structure, according to 3A, DIN, ISO, SMS standard design, material meets FDA117.2600

OPERATION
Pneumatic double-acting or single-acting

CONNECTION
Welding, Clamps, Male thread

SURFACE TREATMENT
Internal :0.4-0.8µm
External :0.8-1.6µm

PRESSURE RANGE
PN10

TEMPERATURE RANGE
EPDM: -20°C - +120°C
FPM: -20°C - +180°C
Silicone: -20°C - +150°C

MATERIALS
Body: CF8, CF8M
Disc: F304L, F316L
Seat seal: EPDM/FPM/Silicone
Stem seal: PTFE
Shaft: Stainless steel
Seal: EPDM/FPM/Silicone

EXTERNAL TEMPERATURE RANGE
-20°C - +70°C

PILOT MEDIA
Filtered gases (oil, ash and water removal)

OPTIONS
3/2-ways or 5/2-ways valve, limit switch, positioner, filter reducer, manual clutch

For further specifications please refer to the butterfly valve (MDA) and actuator (PA) data sheet

型号:
MDA-PA
气动卫生蝶阀
PN10

CF8
CF8M



Type:
MDA-PA
Pneumatic sanitary
butterfly valve
PN10

CF8
CF8M

举例说明: 比如 MDA3572218-PA1114110

=ISO5211平台卫生蝶阀, CF8/F304L, EPDM, PN10, 卡箍连接, DN50,气动执行器, 双作用, 阳极氧化铝, Ø63mm,NBR,齿轮, 0°-90°蝶阀

1.字符 产品	2+3.字符 阀体/内件	4.字符 密封	5.字符 压力标准	6.字符 连接	7 + 8.字符 口径	
MDA=ISO5211平台 卫生蝶阀	35=CF8/F304L 46=CF8M/F316L	6=FPM 7=EPDM E=Silicone	2=PN10	S=对焊 2=卡箍 Y=外螺纹 X=对焊+外螺纹	12=3/8" 13=1/2" 14=3/4" 15=1" 16=1-1/4" 17=1-1/2"	18=2" 19=2-1/2" 20=3" 21=4" 22=5" 23=6"

9.字符 产品	10.字符 功能	11.字符 材质	12 + 13.字符 规格		14.字符 密封	15.字符 结构	16.字符 行程
PA=气动执行器	1=双作用 2=单作用常闭 3=单作用常开	1=铝合金 2=不锈钢	13=Ø52 14=Ø63 15=Ø75 16=Ø83 17=Ø92 18=Ø105 19=Ø125 20=Ø140 21=Ø160	22=Ø190 23=Ø210 24=Ø240 25=Ø270 26=Ø300 27=Ø350 28=Ø400	1=NBR 2=HNBR 3=FKM	1=齿轮	0=0-90° 1=0-120° 2=0-135° 3=0-150° 4=0-180° 5=0-270°

Ordering example: e.g. MDA3572218-PA1114110

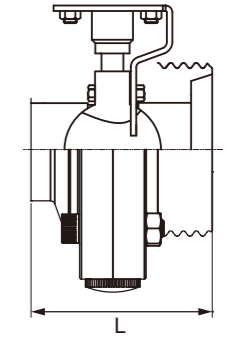
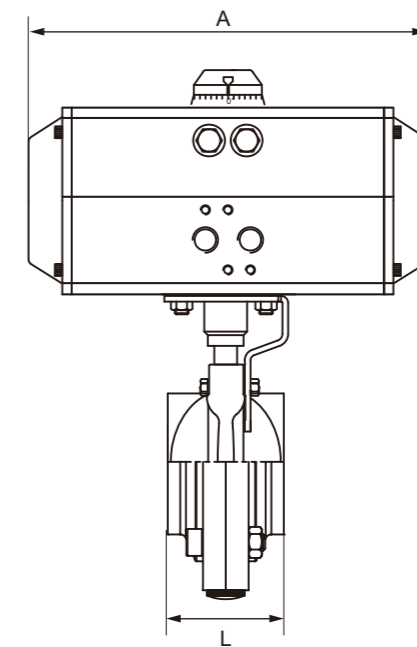
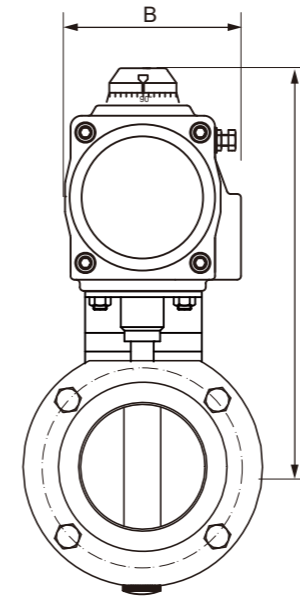
= ISO5211 platform Sanitary butterfly valve,CF8/F304L, EPDM, PN10, Clamp, DN50,Pneumatic actuator, Double action,Anodising aluminum, Ø63mm.NBR, Gear,0°-90° Butterfly valve.

A. Type	B+C. Body/Internal	D. Sealing	E. Pressure criteria	F. Connection	G+H. Size	
MDA=ISO5211 platform Sanitary butterfly valve	35=CF8/F304L 46=CF8M/F316L	6=FPM 7=EPDM E=Silicone	2=PN10	S=Weld 2=Clamp Y=Male thread X=Weld+Male thread	12=3/8" 13=1/2" 14=3/4" 15=1" 16=1-1/4" 17=1-1/2"	18=2" 19=2-1/2" 20=3" 21=4" 22=5" 23=6"

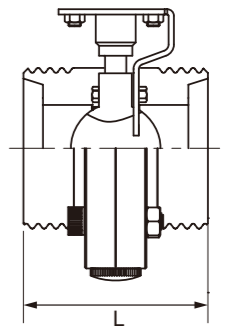
I. Type	J. Fail position	K. Material	L + M. Size		N. Seal	O. Structure	P. Trip
PA=Pneumatic actuator	1=Double action 2=Single action-close 3=Single action-open	1=Aluminium alloy 2=Stainless steel	13=Ø52 14=Ø63 15=Ø75 16=Ø83 17=Ø92 18=Ø105 19=Ø125 20=Ø140 21=Ø160	22=Ø190 23=Ø210 24=Ø240 25=Ø270 26=Ø300 27=Ø350 28=Ø400	1=NBR 2=HNBR 3=FKM	1=Gear	0=0-90° 1=0-120° 2=0-135° 3=0-150° 4=0-180° 5=0-270°

尺寸/Dimension

Weld & Clamp/Weld & Thread/Male Thread



Weld & Thread



Male Thread

Weld & Clamp

SIZE	DN	L				Actuator		A	B	H
		Weld	Clamp	Weld&Thread	Thread	Model	Size			
3/8"	10	50	-	50	66	PA1113110	Ø52	147	72	179.5
						PA2114110	Ø63	172	83	195.5
1/2"	15	50	66	50	66	PA1113110	Ø52	147	72	179.5
						PA2114110	Ø63	172	83	195.5
3/4"	20	50	66	50	66	PA1113110	Ø52	147	72	179.5
						PA2114110	Ø63	172	83	195.5
1"	25	50	66	50	66	PA1113110	Ø52	147	72	179.5
						PA2114110	Ø63	172	83	195.5
1 1/4"	32	50	66	50	66	PA1114110	Ø63	172	83	195.5
						PA2114110	Ø63	172	83	195.5
1 1/2"	40	50	70	50	70	PA1114110	Ø63	172	83	199
						PA2114110	Ø63	172	83	199
2"	50	52	76	52	76	PA1114110	Ø63	172	83	205
						PA2115110	Ø75	184	95	217
2 1/2"	65	56	80	56	80	PA1115110	Ø75	184	95	222
						PA2116110	Ø83	204	103	231
3"	80	58	84	58	84	PA1116110	Ø83	204	103	242
						PA2116110	Ø83	204	103	242
4"	100	64	104	64	104	PA1116110	Ø83	204	103	264
						PA2117110	Ø92	262	109	272
5"	125	70	113	70	130	PA1117110	Ø92	262	109	282
						PA2118110	Ø105	268	121	298
6"	150	80	123	80	50	PA1117110	Ø92	262	109	312
						PA2118110	Ø105	268	121	328

注: 阀体详细数据请详见MLA/MDA 手动卫生蝶阀/ISO5211平台卫生蝶阀
以上为常规工况执行器配置尺寸,
如特殊工况的执行器配置详询埃克美迅技术部。

Note:Details please refer to MLA/MDA Sanitary butterfly valve/ISO5211 platform sanitary butterfly valve.
Above information is under normal working conditon,
Please consult the technical department in case of special working conditions

规格

设计

阀体为分体结构, 根据3A,DIN,ISO,SMS标准设计, 材料符合FDA117.2600

操作

电动含手动操作

连接

焊接, 卡箍, 外螺纹

表面处理

内部: 0.4-0.8μm
外部: 0.8-1.6μm

压力范围

PN10

温度范围

EPDM: -20°C - +120°C
FPM: -20°C - +180°C
Silicone: -20°C - +150°C

材料

阀体: CF8
CF8M

阀板:

CF8
CF8M

阀座密封: EPDM/FPM/Silicone

阀杆密封: PTFE

轴: 不锈钢

密封: EPDM/FPM/Silicone

环境温度

-20°C - +60°C

可选电压

24V DC, 24V AC, 110V AC, 220V AC, 380V AC

防护

IP 67

标准设备

两限位开关, 物理指示器, 手动控制

选项

电位计调节型4-20mA

Exd IIB T4

更多要求请咨询

更多规范请根据蝶阀(MDA)和执行器(KL)数据表

以上信息仅供参考, 埃克美迅公司保留修改的权利, 恕不另行通知

Specification

DESIGN

The valve body has a split structure, according to 3A,DIN,ISO,SMS standard design, material meets FDA117.2600

OPERATION

Electric with handle operation

CONNECTION

Welding, Clamp, Male thread

SURFACE TREATMENT

Internal :0.4-0.8μm
External :0.8-1.6μm

PRESSURE RANGE

PN10

TEMPERATURE RANGE

EPDM: -20°C - +120°C
FPM: -20°C - +180°C
Silicone: -20°C - +150°C

MATERIALS

Body: CF8
CF8M

Disc:

CF8
CF8M

Seat seal: EPDM/FPM/Silicone

Stem seal: PTFE

Shaft: Stainless steel

Seal: EPDM/FPM/Silicone

EXTERNAL TEMPERATURE RANGE

-20°C - +60°C

OPTIONAL VOLTAGE

24V DC, 24V AC, 110V AC, 220V AC, 380V AC

PROTECTION

IP 67

STANDARD EQUIPMENT

2 additional limit switches, optical position indicator, manual override

OPTIONS

Potentiometer modulate type 4-20mA

Exd IIB T4

For more requests please contact us

For further specifications please refer to the butterfly valve (MDA) and actuator (KL) data sheet

The above information is for reference only and Eicmation reserves the right to alter without prior notice

型号:

MDA-KL

电动卫生蝶阀

PN10

CF8

CF8M



Type:

MDA-KL

Electric Sanitary Butterfly

Valve

PN10

CF8

CF8M

举例说明: 比如 MDA4472K18-KL411111

=ISO5211平台卫生蝶阀, CF8M/CF8M, EPDM, PN10, 卡套连接, DN50, 电动执行器50Nm, 220VAC, 防护等级IP67, 开关+干接点

蝶阀

1.字符 产品	2+3.字符 阀体/内件	4.字符 密封	5.字符 压力标准	6.字符 连接	7 + 8.字符 口径	
MDA=ISO5211平台 卫生蝶阀	33=CF8/CF8 44=CF8M/CF8M	6=FPM 7=EPDM E=Silicone	2=PN10	S=对焊 K=卡箍 Y=外螺纹 X=对焊+外螺纹	12=3/8" 13=1/2" 14=3/4" 15=1" 16=1-1/4" 17=1-1/2"	18=2" 19=2-1/2" 20=3" 21=4" 22=5" 23=6"

执行器

9.字符 产品	10.字符 电压	11.字符 防护等级	12+13.字符 扭矩 (NM)	14.字符 附件	15.字符 备用
KL=基本型角行程 电动执行器	1=24V DC 2=24V AC 3=110V AC 4=220V AC 5=380V AC	1=IP67 2=IP68 3=Exd II BT4 (50-600NM)	11=50 13=100 15=200 17=400 19=600 21=1000 23=2000	1=开关+干接点 2=调节型4~20mA	1=无 2=电位计1K~10K 3=电流位置传感器4~20mA 4=过载保护(200-2000NM) 8=除湿保护

Ordering example: e.g. MDA4472K18-KL411111

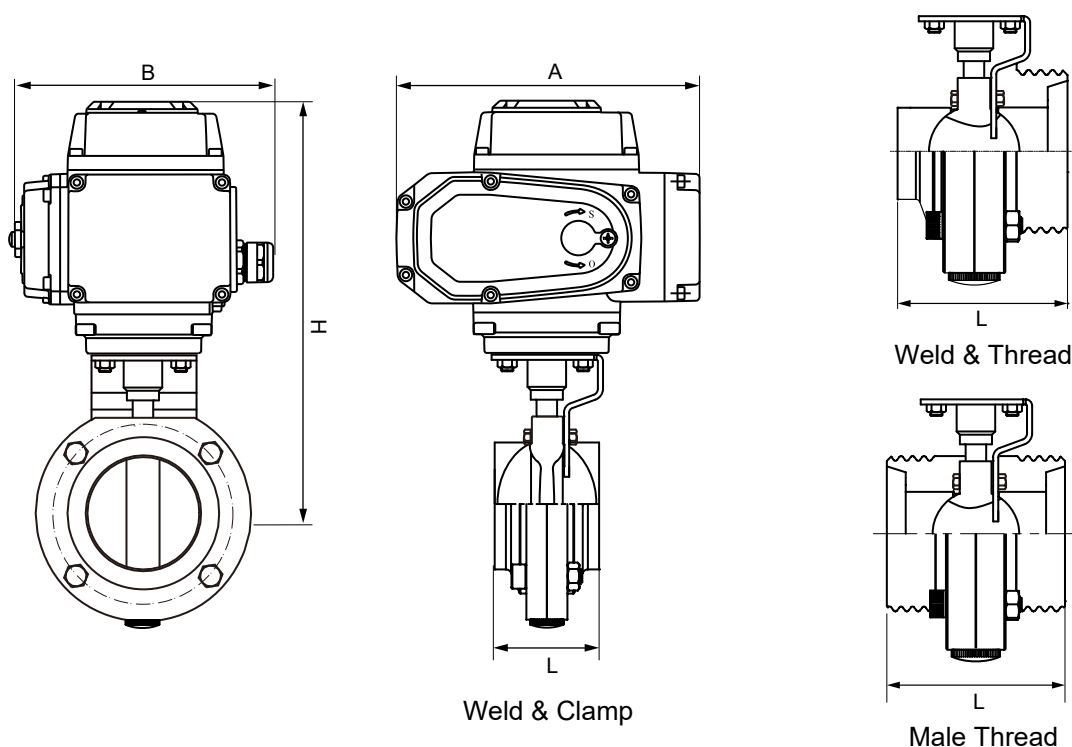
= ISO5211 platform Sanitary butterfly valve, CF8M/CF8M, EPDM, PN10, Clamp, DN50, 220V AC, Electric actuator 50Nm, Explosion proof grade IP67, On/Off+dry contact

Butterfly valve

A. Type	B+C. Body/Internal	D. Sealing	E. Pressure criteria	F. Connection	G+H. Size	
MDA=ISO5211 platform Sanitary butterfly valve	33=CF8/CF8 44=CF8M/CF8M	6=FPM 7=EPDM E=Silicone	2=PN10	S=Weld K=Clamp Y=Male thread X=Weld+Male threa	12=3/8" 13=1/2" 14=3/4" 15=1" 16=1-1/4" 17=1-1/2"	18=2" 19=2-1/2" 20=3" 21=4" 22=5" 23=6"

Actuator

I. Type	J. Voltage	K. Explosion proof grade	L+M. Torque(NM)	N. Extra	O. Spare
KL=Basic angle stroke Electric actuator	1=24V DC 2=24V AC 3=110V AC 4=220V AC 5=380V AC	1=IP67 2=IP68 3=Exd II BT4 (50-600NM)	11=50 13=100 15=200 17=400 19=600 21=1000 23=2000	1=On/Off type +dry contact 2=Modulate type 4~20mA	1=No 2=1K~10K potentiometer 3=Current position sensor 4~20mA 4=Overload protection (200-2000NM) 8=Arefaction protect



SIZE	DN	L				Actuator		A	B	H
		Weld	Clamp	Weld&Thread	Thread	Model	Torque(NM)			
3/8"	10	50	-	50	66	KL111111	50	165.0	140.5	215
						KL121111	50	170.5	121	227.5
1/2"	15	50	66	50	66	KL111111	50	165.0	140.5	215
						KL121111	50	170.5	121	227.5
3/4"	20	50	66	50	66	KL111111	50	165.0	140.5	215
						KL121111	50	170.5	121	227.5
1"	25	50	66	50	66	KL111111	50	165.0	140.5	215
						KL121111	50	170.5	121	227.5
1 1/4"	32	50	66	50	66	KL111111	50	165.0	140.5	215
						KL121111	50	170.5	121	227.5
1 1/2"	40	50	70	50	70	KL111111	50	165.0	140.5	218.5
						KL121111	50	170.5	121	231
2"	50	52	76	52	76	KL111111	50	165.0	140.5	224.5
						KL121111	50	170.5	121	237
2 1/2"	65	56	80	56	80	KL111111	50	165.0	140.5	229.5
						KL121111	50	170.5	121	242
3"	80	58	84	58	84	KL111311	100	211.5	154	271.5
						KL121311	100	217.5	139	285
4"	100	64	104	64	104	KL111311	100	211.5	154	293.5
						KL121311	100	217.5	139	307
5"	125	70	113	70	130	KL111311	100	211.5	154	303.5
						KL121311	100	217.5	139	317
6"	150	80	123	80	50	KL111311	100	211.5	154	333.5
						KL121311	100	217.5	139	347

注：阀体详细数据请详见MLA/MDA 手动卫生蝶阀/
ISO5211平台卫生蝶阀
以上为常规工况执行器配置尺寸，
如特殊工况的执行器配置详询埃克美迅技术部。

Note:Details please refer to MLA/MDA Sanitary butterfly valve/
ISO5211 platform sanitary butterfly valve.
Above information is under normal working conditon,
Please consult the technical department in case of special working conditions