

规格

设计

精小型设计, 过滤减压综合功能, 自动排水, 差压排水, 可另加油雾器。

接管口径

G1/8"-G1"

带快速接头、卡套接头

过滤精度

25µm

设计压力

15bar

工作压力

10bar

压力调节范围

0.5-10bar

容器材料

聚碳酸酯

工作温度

+5° - 60°

Specification

DESIGN

Fine small design, filter and decompression integrated function, automatic drainage, differential pressure drainage, can add atomized lubricator

PORT SIZE

G1/8"-G1"

With quick connector/clamp connector

FILTRATION PRECISION

25µm

DESIGN PRESSURE

15bar

USE OF PRESSURE

10bar

Pressure regulation range

0.5-10 bar

CONTAINER MATERIAL

Polycarbonate

Operating Temperature

+5° - 60°

型号:

DE

过滤减压器

单联件

二联件

三联件



Type:

DE

Filter Regulator

Single pieces

Duplex pieces

F.R.L

以上信息仅供参考, 本公司保留修改的权利, 恕不另行通知

The above information is for reference only and Eicmation reserves the right to alter without prior notice

举例说明: 比如 DE132111
=过滤减压阀单件, 2000, G1/4", PVC,+5-+60°C
过滤减压器

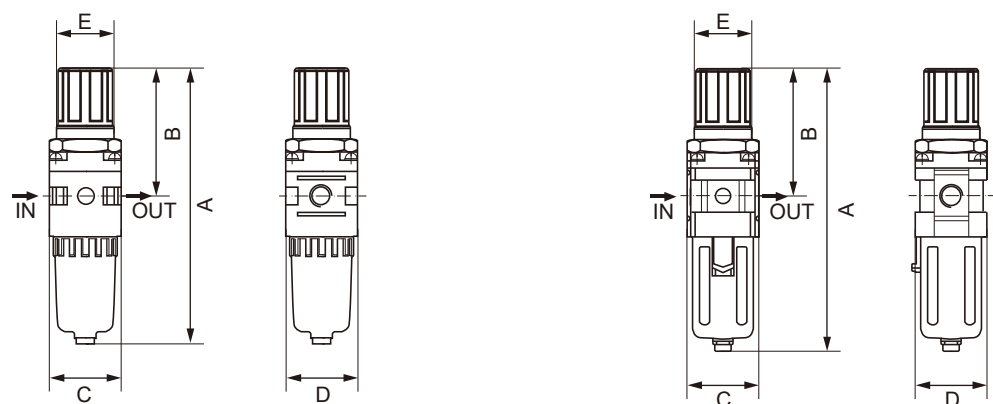
| 1 + 2. 字符 产品 | 3. 字符 类型 | 4. 字符 规格 | 5. 字符 口径 | 6. 字符 材质 | 7. 字符 温度 | 8. 字符 选项 |
|-----------------|------------------------|--------------------------------------|--|-------------------------|---|--------------|
| DE=过滤减压阀 | 1=单件 2=二联件 3=三联件 | 2=2000 3=3000 4=4000 5=5000 | 1=G1/8" 2=G1/4" 3=G3/8" 4=G1/2" 5=G3/4" 6=G1" | 1=PVC 2=铝合金 3=不锈钢 | 1=+5-+60°C 2=-40-+80°C 3=-40-+180°C | 1=无 2=金属杯 |

Ordering example:e.g. DE132111
=Filter Regulator valve,4000,DN25,Lubricator
Filter Regulator

| A + B. Product | C. Type | D. Specification | E. Caliber | F. Material | G. Temperature | H. Option |
|---------------------------|--|--------------------------------------|--|---|---|-----------------------|
| DE=Filter Regulator valve | 1=Single piece 2=Duplex pieces 3=F.R.L | 2=2000 3=3000 4=4000 5=5000 | 01=G1/8" 02=G1/4" 03=G3/8" 04=G1/2" 05=G3/4" 06=G1" | 1=PVC 2=Aluminium alloy 3=Stainless steel | 1=+5-+60°C 2=-40-+80°C 3=-40-+180°C | 1=NONE 2=metrl cup |

尺寸/Dimension

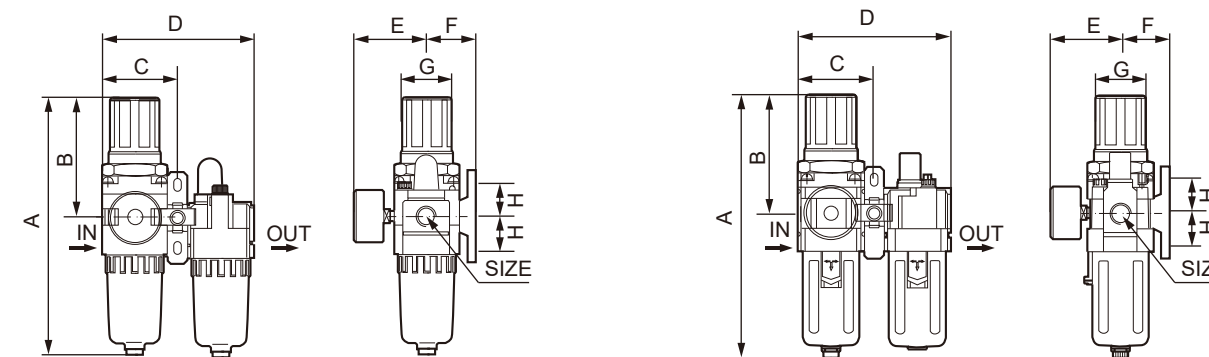
单联件/Single piece



| SIZE | 规格/Specification | 流量/Flow | A | B | C | D | E |
|-------|------------------|---------|-------|------|----|----|----|
| G1/8" | 2000 | 550 | 164.5 | 78 | 40 | 40 | 34 |
| G1/4" | 2000 | 550 | 164.5 | 78 | 40 | 40 | 34 |
| G1/4" | 3000 | 2000 | 211 | 92.5 | 53 | 53 | 40 |
| G3/8" | 3000 | 2000 | 211 | 92.5 | 53 | 53 | 40 |
| G3/8" | 4000 | 4000 | 262 | 112 | 70 | 70 | 54 |
| G1/2" | 4000 | 4000 | 262 | 112 | 70 | 70 | 54 |
| G3/4" | 4000 | 4500 | 267 | 114 | 70 | 70 | 54 |
| G3/4" | 5000 | 5500 | 267 | 114 | 70 | 70 | 54 |
| G1" | 5000 | 5500 | 338 | 116 | 90 | 90 | 54 |

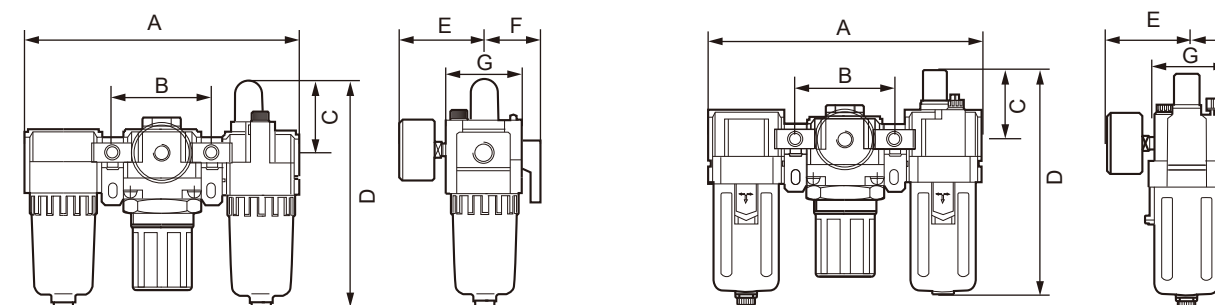
尺寸/Dimension

二联件/Duplex pieces



| SIZE | 规格/Specification | 流量/Flow | A | B | C | D | E | F | G | H |
|-------|------------------|---------|-------|------|------|-----|------|------|----|----|
| G1/8" | 2000 | 500 | 164.5 | 78 | 45 | 90 | 56.8 | 30 | 40 | 24 |
| G1/4" | 2000 | 500 | 164.5 | 78 | 45 | 90 | 56.8 | 30 | 40 | 24 |
| G1/4" | 3000 | 1700 | 211 | 92.5 | 58.5 | 117 | 60.8 | 41 | 53 | 35 |
| G3/8" | 3000 | 1700 | 211 | 92.5 | 58.5 | 117 | 60.8 | 41 | 53 | 35 |
| G3/8" | 4000 | 3000 | 262 | 112 | 77 | 154 | 70.5 | 50 | 70 | 40 |
| G1/2" | 4000 | 3000 | 262 | 112 | 77 | 154 | 70.5 | 50 | 70 | 40 |
| G3/4" | 4000 | 3000 | 267 | 114 | 82 | 164 | 70.5 | 50 | 70 | 40 |
| G3/4" | 5000 | 4000 | 338 | 116 | 97.5 | 195 | 75.5 | 69.8 | 90 | 50 |
| G1" | 5000 | 4000 | 338 | 116 | 97.5 | 195 | 75.5 | 69.8 | 90 | 50 |

三联件/F.R.L



| SIZE | 规格/Specification | 流量/Flow | A | B | C | D | E | F | G | H |
|-------|------------------|---------|-----|-----|----|-------|------|------|----|----|
| G1/8" | 2000 | 500 | 140 | 50 | 38 | 125 | 56.8 | 30 | 40 | 24 |
| G1/4" | 2000 | 500 | 140 | 50 | 38 | 125 | 56.8 | 30 | 40 | 24 |
| G1/4" | 3000 | 2000 | 181 | 64 | 38 | 156.5 | 60.8 | 41 | 53 | 35 |
| G3/8" | 3000 | 2000 | 181 | 64 | 38 | 156.5 | 60.8 | 41 | 53 | 35 |
| G3/8" | 4000 | 4000 | 238 | 84 | 41 | 191.5 | 65.5 | 50 | 70 | 40 |
| G1/2" | 4000 | 4000 | 238 | 84 | 41 | 191.5 | 65.5 | 50 | 70 | 40 |
| G3/4" | 4000 | 4500 | 253 | 89 | 41 | 193 | 69.5 | 50 | 70 | 40 |
| G3/4" | 5000 | 5000 | 300 | 105 | 48 | 271.5 | 75.5 | 69.8 | 90 | 50 |
| G1" | 5000 | 5000 | 300 | 105 | 48 | 271.5 | 75.5 | 69.8 | 90 | 50 |