



规格

特点

- 轻便而坚固的设计
- 压铸铝壳体表面喷涂
- DO5可选不锈钢(316)壳体
- 传动轴上有视觉位置指示器
- 快速设定凸轮
- 无需初始设置后, 再次调整
- 轻松设置无需工具

电缆线接口

DO2/DO3/DO6: NPT 1/2"
DO4/DO5: NPT 3/4"

环境温度

-20°C - +80°C

位置指示器

0 - 90°关: 红 开: 黄

开关

机械开关X2

涂层

铬酸盐聚酯粉末涂层

外壳

防护等级 IP67
DO4: 防爆Ex d IIB T6
DO5: 防爆Ex d IIC T6

选项

外壳
防护等级 IP68

电缆线接口

PF,PT,PG

环境温度

-40°C - +80°C 或 -20°C - +150°C

开关

接近式传感器X2
机械开关X4 (除DO2)
接近式传感器X4 (除DO2)

涂层

其他尼龙要求红, 绿, 蓝, 黄, 度银

电位计

1K Ω标准
5K Ω
0 - 10K Ω

以上信息仅供参考, 本公司保留修改的权利, 恕不另行通知

Specification

FEATURES

- Solid and flexible design
- Aluminum die-casting housing and powder coating
- Stainless steel (316)housing. (DO5)
- Visual position indicator on the drive shaft
- Quick-set cam
- No need to adjust again after initial setting
- Easy setup without tools

CABLE ENTRIES

DO2/DO3/DO6: NPT 1/2"
DO4/DO5: NPT 3/4"

EXTERNAL TEMPERATURE RANGE

-20°C - +80°C

POSITION INDICATOR

0-90°Close:red open:yellow

SWITCHES

Mechanical switches X2

PAINTING

Chromate Polyester powder coating (back)

ENCLOSURE

Protection IP67
DO4: Explosion-proof Ex d IIB T6
DO5: Explosion-proof Ex d IIC T6

OPTIONS

Enclosure
Protection IP68

CABLE ENTRIES

PF,PT,PG

EXTERNAL TEMPERATURE RANGE:

-40°C - +80°C or -20°C - +150°C

SWITCHES

Proximity sensor X2
Mechanical switches X4 (Except DO2)
Proximity sensor X4 (Except DO2)

COATING

Other Nylon on request Red ,green,blue, yellow,silver

POTENTIOMETER

1K Ωstandard
5K Ω
0 - 10K Ω

The above information is for reference only and Eicmation reserves the right to alter without prior notice

型号:

DO

角行程限位开关

经济型
标准型
防爆



Type:

DO

Rotary stroke limit switch

Economy
Standard
Explosion-proof

举例说明: 比如 DO211111

=角行程限位开关, 经济型, 2-SPDT, -20°C-80°C, 防护等级IP67, 0-90°位置指示器, 支架25X50 H:2020

限位开关

1 + 2. 字符 产品	3. 字符 附件	4. 字符 开关	5. 字符 温度	6. 字符 防护等级	7. 字符 位置指示器	8. 字符 支架
DO=角行程限位开关	2=经济型 3=标准型 4=防爆 Exd IIB T6 5=防爆 Exd IIC T6	1=2-SPDT 2=3-SPDT 3=4-SPDT 4=2-SPST 5=2-DPDT 6=2-SPDT+电位计 7=2-SPDT+变送器 8=磁感应式 9=P+F接近式(本安防爆)	1=-20°C-80°C 2=-40°C-80°C 3=-20°C-150°C (2和3只适用DO3)	1=IP67 2=IP68	1=0-90° 2=三位置	1=调节支架 2=25X50 H:20 3=30X80 H:20 4=30X80 H:30 5=30X130 H:30 6=30X130H:50

Ordering example:e.g. DO211111

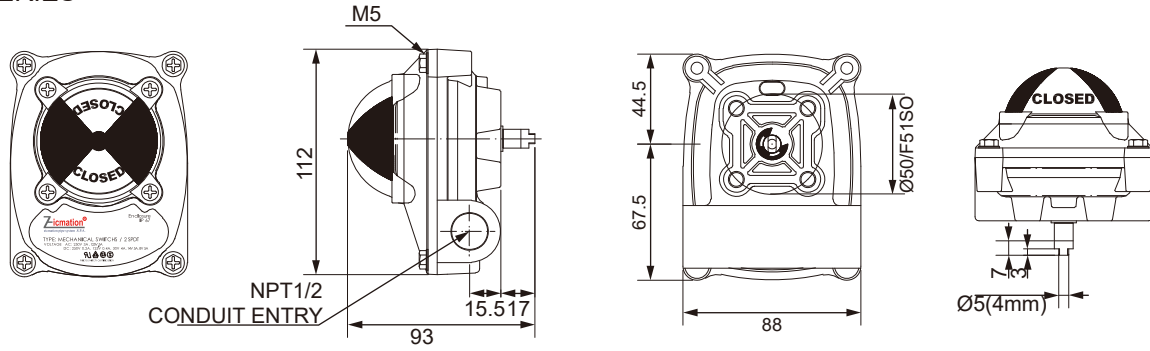
= Rotary stroke limit switch ,Economy,2-SPDT,-20°C-80°C,Protection IP67,0-90°Position indicator,Bracket 25X50 H:2020

Limit switch

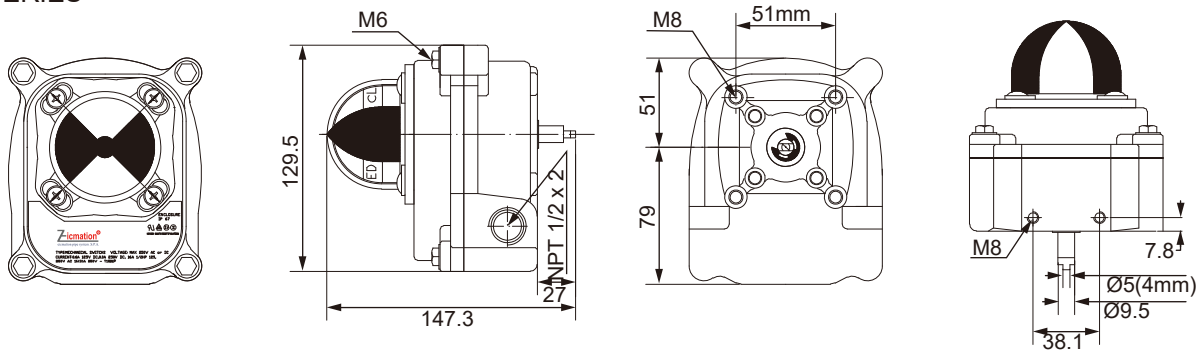
A + C. Type	C. Extra	D. Switches	E. Temperature	F. Protection	G. Position indicator	H. Bracket
DO=Rotary stroke limit switch	2=Economy 3=Standard 4=Explosion-proof Exd IIB T6 5=Explosion-proof Exd IIC T6	1=2-SPDT 2=3-SPDT 3=4-SPDT 4=2-SPST 5=2-DPDT 6=2-SPDT+ Potentiometer 7=2-SPDT+Transmitter 8 = magnetic induction 9 = P + F proximity type (intrinsically safe explosion-proof)	1=-20°C - 80°C 2=-40°C - 80°C 3=-20°C - 150°C (2and3 applies to DO3)	1=IP67 2=IP68	1=0 - 90° 2=Three position	1=Adjustable support 2=25X50 H:20 3=30X80 H:20 4=30X80 H:30 5=30X130 H:30 6=30X130 H:50

尺寸/Dimension

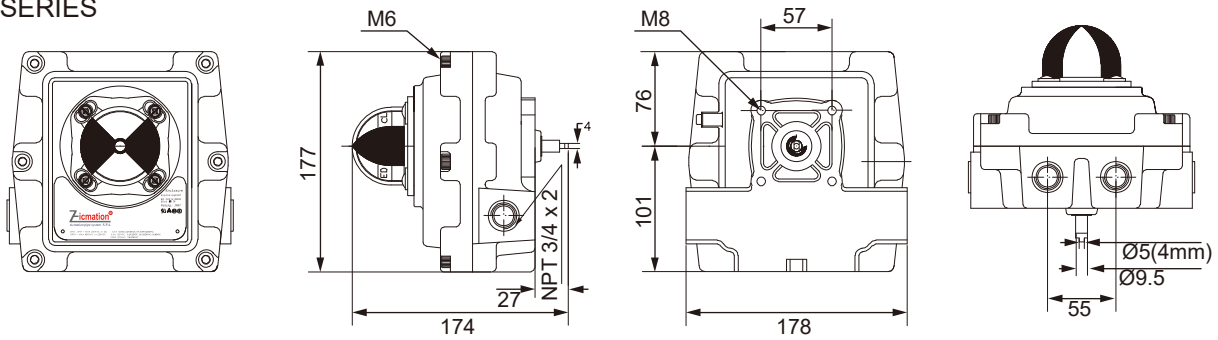
DO 2 SERIES



DO 3 SERIES



DO 4 SERIES



DO 5 SERIES

