

规格

设计
两片式设计, 全通径

操作
无

连接
G 螺纹、NPT 螺纹、RC 螺纹

压力范围
200PSI

公称压力
3/8" - 4": 200PSI

温度范围
NBR: -30°C - +180°C
FPM: -20°C - +205°C
金属: -196°C - +570°C

材料
阀体: CF8
CF8M

球芯: 304
316

密封: NBR/FPM/金属

Specification

DESIGN
2-piece design, full bore

OPERATION
No

CONNECTION
G thread/NPT thread/RC thread/Socket weld

PRESSURE RANGE
200PSI

NOMINAL PRESSURE
3/8"-4": 200PSI

TEMPERATURE RANGE
NBR: -30°C - +180°C
FPM: -20°C - +205°C
Metal: -196°C - +570°C

MATERIALS
Body: CF8
CF8M

Ball: 304
316

seal: NBR/FPM/Metal

型号:
CBR

两片式弹簧立式
止回阀
全通径
200PSI

CF8
CF8M



Type:
CBR

2PC spring vertical
check valve
Full bore
200PSI

CF8
CF8M

以上信息仅供参考, 本公司保留修改的权利, 恕不另行通知

The above information is for reference only and Eicmation reserves the right to alter without prior notice

举例说明: 比如 CBR3343115

=两片式弹簧立式止回阀, CF8/304, NBR, 200PSI, G螺纹, DN25 止回阀

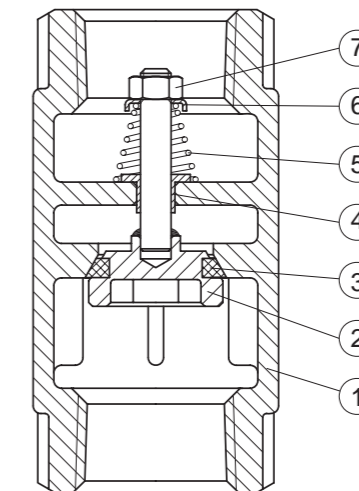
1.字符 产品	2+3 字符 阀体/内件	4.字符 密封	5.字符 压力标准	6.字符 连接	7 + 8.字符 口径
CBR=弹簧立式 止回阀 全通径 两片式	33=CF8/304 44=CF8M/316	4=NBR 6=FPM D=金属	3=200PSI	1=G螺纹 8=NPT螺纹 R=RC螺纹	12=3/8" 17=1-1/2" 13=1/2" 18=2" 14=3/4" 19=2-1/2" 15=1" 20=3" 16=1-1/4" 21=4"

Ordering example: e.g. CBR3343115

= 2PC spring vertical check valve, CF8/304, NBR, G thread, DN25 Check valve

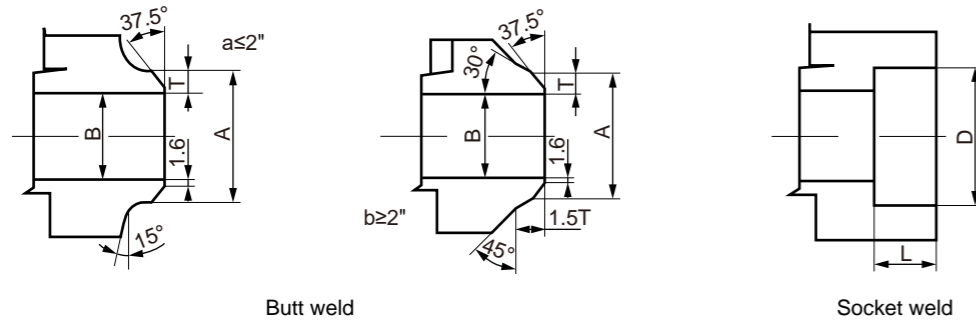
A. Type	B+C. Body/Trim	D. Seal	E. Pressure	F. Connection	G+H. Size
CBR=Spring vertical check valve full bore 2-part connection	33=CF8/304 44=CF8M/316	4=NBR 6=FPM D=METAL	3=200PSI	1=GThread 8=NPT Thread R=RC Thread	12=3/8" 17=1-1/2" 13=1/2" 18=2" 14=3/4" 19=2-1/2" 15=1" 20=3" 16=1-1/4" 21=4"

零件说明/Parts list

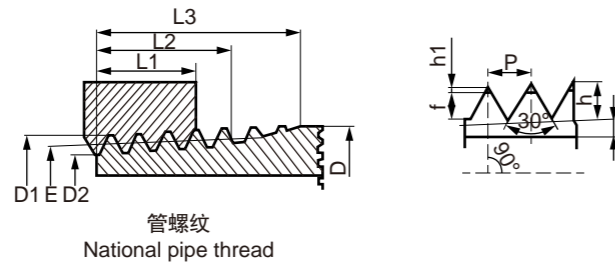


序号	描述	材质
1	阀体	CF8
		CF8M
2	阀瓣	304
		316
3	密封垫	PTFE
4	轴套	304
		316
5	弹簧	304
		316
6	垫片	304
7	螺栓	304
		316

No.	Description	Material
1	Body	CF8
		CF8M
2	Disc	304
		316
3	Seat washer	PTFE
4	Stem	304
		316
5	Spring	304
		316
6	Washer	304
7	Bolt	304
		316



DN	Butt weld												Socket weld					
	SCH.40			SCH.80			SCH.160			SCH.XXS			GB		ANSI		JIS	
	A	B	T	A	B	T	A	B	T	A	B	T	D	L	D	L	D	L
1/4"	-	-	-	-	-	-	-	-	-	-	-	-	14.5	10	14.1	9.6	14.3	9.6
3/8"	-	-	-	-	-	-	-	-	-	-	-	-	18	10	17.6	9.6	17.9	9.6
1/2"	21.3	15.8	2.77	21.3	13.8	3.73	21.3	11.7	4.78	21.3	6.4	7.47	22.5	10	21.8	9.6	22.2	9.6
3/4"	26.7	25	2.87	26.7	18.9	3.91	26.7	15.6	5.56	26.7	11.1	7.82	28.5	11	27.1	12.7	27.7	12.7
1"	33.4	26.6	3.38	33.4	24.3	4.55	33.4	20.7	6.35	33.4	15.2	9.09	34.5	12	33.8	12.7	34.5	12.7
1 1/4"	42.2	35.1	3.55	42.2	32.5	4.85	42.2	29.5	6.35	42.2	22.8	9.7	43	14	42.6	12.7	43.2	12.7
1 1/2"	48.3	41	3.68	48.3	38.1	5.08	48.3	33.5	7.41	48.3	28	10.15	49	15	48.7	12.7	49.1	12.7
2"	60.3	52.5	3.91	60.3	49.2	5.54	60.3	42.9	8.74	60.3	38.2	11.07	61.2	16	61.2	15.9	61.2	15.9
2 1/2"	73	62.7	5.15	73	59	7.01	73	54	9.53	73	45	14.02	-	-	-	-	-	-
3"	88.9	78	5.48	88.9	73.7	7.62	88.9	66.6	11.13	88.9	58.4	15.24	-	-	-	-	-	-
4"	114.3	102.3	6.02	114.3	97.2	8.53	114.3	85.3	13.49	114.3	80.1	17.12	-	-	-	-	-	-



DN	D	N	P	D1	E	D2	L1	L2	L3
1/8"	10.29	27	0.94	9.982	9.233	6.484	4.572	6.703	9.967
1/4"	13.72	18	1.412	13.259	12.126	10.998	5.08	10.206	15.103
3/8"	17.14	18	1.412	16.662	15.545	14.427	60.96	10.358	15.255
1/2"	21.34	14	1.814	20.726	19.263	17.805	8.128	13.556	19.85
3/4"	26.67	14	1.814	26.035	24.58	23.139	8.611	13.861	20.155
1"	33.4	11.1/2	2.21	32.588	30.825	29.058	10.16	17.953	25.006
1 1/4"	42.16	11.1/2	2.21	41.326	39.55	37.795	10.688	17.953	25.616
1 1/2"	48.26	11.1/2	2.21	47.396	45.621	43.866	10.688	18.377	26.04
2"	60.32	11.1/2	2.21	59.411	57.633	55.855	11.074	19.215	26.878

规格

设计
一片式设计

操作
无

连接
G螺纹 ANSI B1.20.1
NPT螺纹 ANSI B1.20.1
承插焊 ANSI B 16.11
对焊 ANSI B16.25

压力范围
600LB/900LB/1500LB/2500LB

公称压力
1/4" - 2 1/2"

温度范围
金属: -196°C - +570°C

材料
阀体: A105
F304
F316

阀板: A105
304
316

密封: 金属

Specification

DESIGN
1-piece design

OPERATION
No

CONNECTION
G thread ANSI B1.20.1
NPT thread ANSI B1.20.1
Socket weld ANSI B 16.11
Butt weld ANSI B16.25

PRESSURE RANGE
600LB/900LB/1500LB/2500LB

NOMINAL PRESSURE
1/2" up to 2 1/2"

TEMPERATURE RANGE
Metal: -196°C - +570°C

MATERIALS
Body: A105
F304
F316

Disc: A105
304
316

Seal: Metal

型号:
CHR
锻钢升降式止回阀

600LB/900LB/1500LB
/2500LB

A105
F304
F316



Type:
CHR
Forged steel lift
check valve
600LB/900LB/1500LB
/2500LB

A105
F304
F316

以上信息仅供参考，本公司保留修改的权利，恕不另行通知

The above information is intended for guidance only and the company reserves the right to change any date herein without prior notice

举例说明: 比如 CHR33D7115

=锻钢升降式止回阀, F304/304, 金属, 600LB, G螺纹, DN25
止回阀

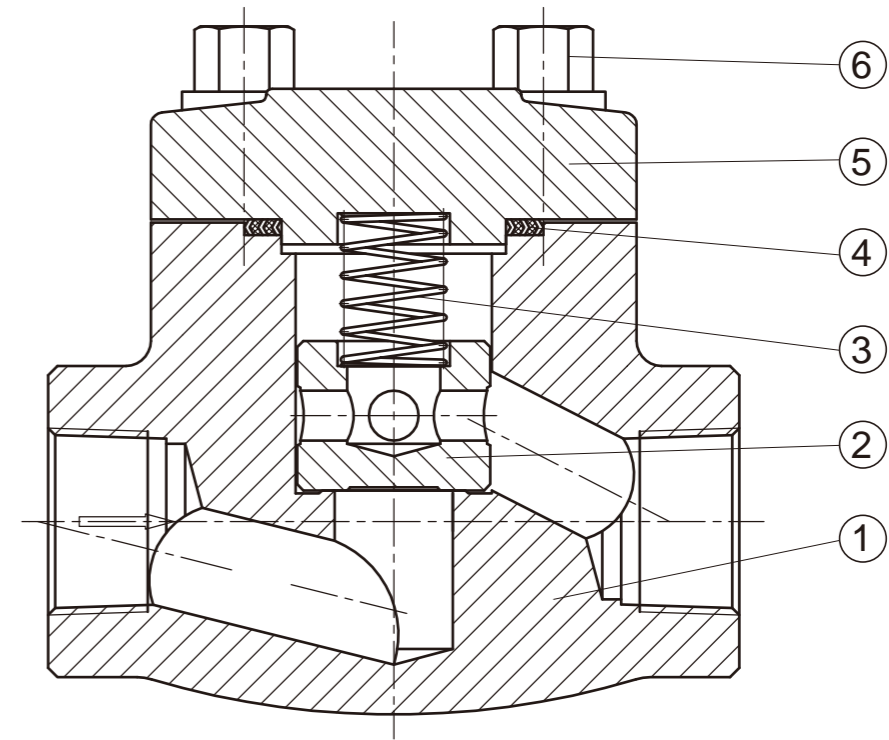
1.字符 产品	2+3.字符 阀体/内件	4.字符 密封	5.字符 压力标准	6.字符 连接	7 + 8.字符 口径
CHR=锻钢升降式 止回阀	23=A105/304 24=A105/316 33=F304/304 44=F316/316	D=金属	7=600LB 8=900LB 9=1500LB B=2500LB	1=G螺纹 8=NPT螺纹 4=承插焊 S=对焊	11=1/4" 16=1-1/4" 12=3/8" 17=1-1/2" 13=1/2" 18=2" 14=3/4" 19=2 1/2" 15=1"

Ordering example: e.g. CHR33D7115

=Forged steel lift check valve, F304/304, Metal, 600LB, G thread, DN25
Check valve

A. Product	B+C. Body/Internal	D. Sealing	E. Pressure criteria	F. Connection	G+H. Size
CHR=Forged steel lift check valve	23=A105/304 24=A105/316 33=F304/304 44=F316/316	D=Metal	7=600LB 8=900LB 9=1500LB B=2500LB	1=GThread 8=NPT Thread 4=Socket weld S=Butt weld	11=1/4" 16=1-1/4" 12=3/8" 17=1-1/2" 13=1/2" 18=2" 14=3/4" 19=2 1/2" 15=1"

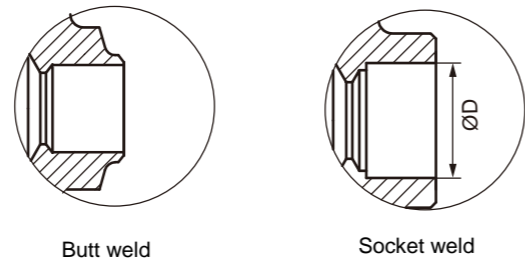
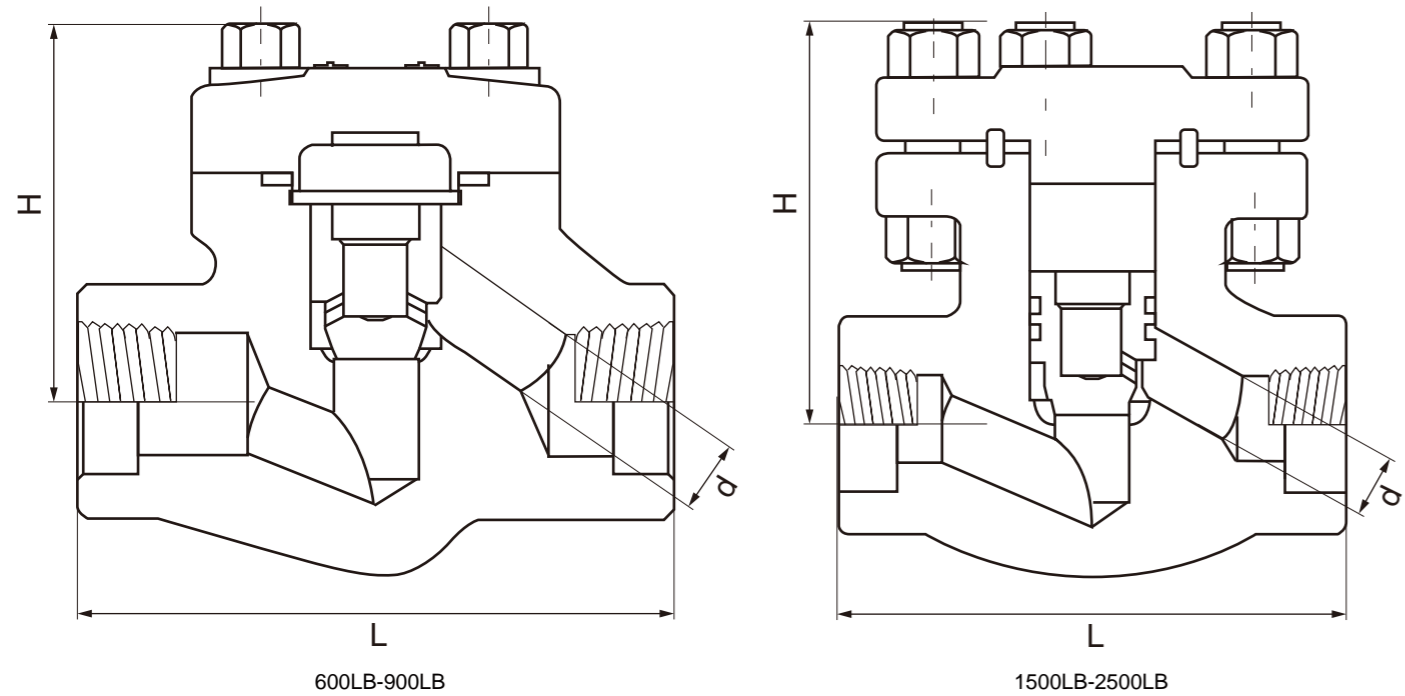
零件说明/Parts list



序号	描述	材料
1	阀体+阀座	A105
		F304
		F316
2	阀瓣	A105
		304
		316
3	弹簧	304
		316
4	垫片	SS +柔性石墨
5	阀盖	A105
		F304
		F316
6	螺栓	A193 B7
		A193 B8
		A193 B8M

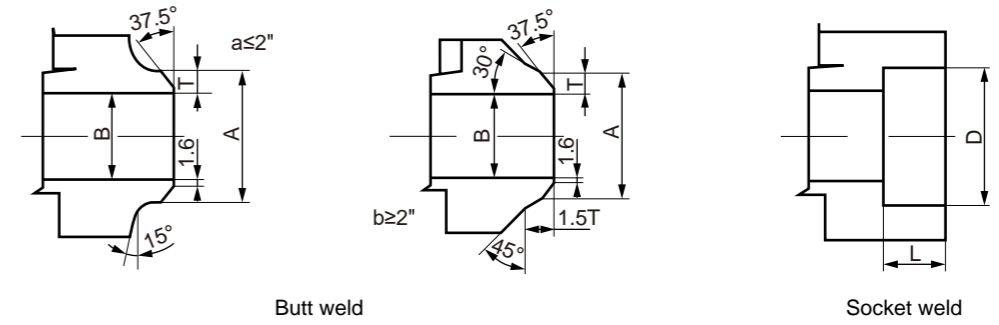
NO.	Description	Material
1	Body+seat	A105
		F304
		F316
2	Disc	A105
		304
		316
3	Spring	304 316
4	Gasket	SS+Graphite
5	Bonnet	A105
		F304
		F316
6	Bolt	A193 B7
		A193 B8
		A193 B8M

尺寸/Dimension

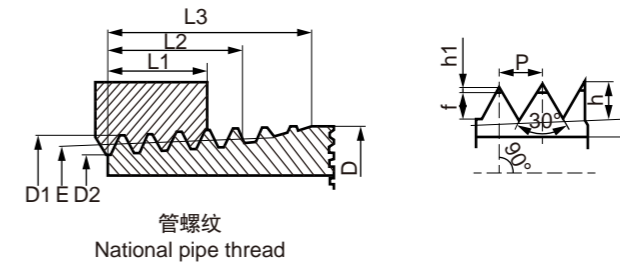


SIZE		600LB			900LB			1500LB			2500LB		
R.P	F.P	L	H	d	L	H	d	L	H	d	L	H	d
-	1/4"	79	61	7	92	61	7	110	166	9	150	166	7.5
1/2"	3/8"	79	61	9	111	78	12	110	166	10	150	166	10.5
3/4"	1/2"	92	61	13	111	78	15	110	171	12	150	171	11
1"	3/4"	111	78	17.5	120	84	20	110	207	15	150	207	14
1 1/4"	1"	120	84	23	152	103	28	150	240	20	210	240	19
1 1/2"	1 1/4"	152	84	30	172	118	32	150	258	28	235	258	25
2"	1 1/2"	172	118	35	200	132	40	210	330	32	235	330	28
2 1/2"	2"	200	132	46	-	-	-	235	355	40	235	355	35

尺寸/Dimension



DN	Butt w eld												Socket w eld					
	SCH.40			SCH.80			SCH.160			SCH.XXS			GB		ANSI		JIS	
	A	B	T	A	B	T	A	B	T	A	B	T	D	L	D	L	D	L
1/4"	-	-	-	-	-	-	-	-	-	-	-	-	14.5	10	14.1	9.6	14.3	9.6
3/8"	-	-	-	-	-	-	-	-	-	-	-	-	18	10	17.6	9.6	17.9	9.6
1/2"	21.3	15.8	2.77	21.3	13.8	3.73	21.3	11.7	4.78	21.3	6.4	7.47	22.5	10	21.8	9.6	22.2	9.6
3/4"	26.7	25	2.87	26.7	18.9	3.91	26.7	15.6	5.56	26.7	11.1	7.82	28.5	11	27.1	12.7	27.7	12.7
1"	33.4	26.6	3.38	33.4	24.3	4.55	33.4	20.7	6.35	33.4	15.2	9.09	34.5	12	33.8	12.7	34.5	12.7
1 1/4"	42.2	35.1	3.55	42.2	32.5	4.85	42.2	29.5	6.35	42.2	22.8	9.7	43	14	42.6	12.7	43.2	12.7
1 1/2"	48.3	41	3.68	48.3	38.1	5.08	48.3	33.5	7.41	48.3	28	10.15	49	15	48.7	12.7	49.1	12.7
2"	60.3	52.5	3.91	60.3	49.2	5.54	60.3	42.9	8.74	60.3	38.2	11.07	61.2	16	61.2	15.9	61.2	15.9
2 1/2"	73	62.7	5.15	73	59	7.01	73	54	9.53	73	45	14.02	-	-	-	-	-	-
3"	88.9	78	5.48	88.9	73.7	7.62	88.9	66.6	11.13	88.9	58.4	15.24	-	-	-	-	-	-
4"	114.3	102.3	6.02	114.3	97.2	8.53	114.3	85.3	13.49	114.3	80.1	17.12	-	-	-	-	-	-



DN	D	N	P	D1	E	D2	L1	L2	L3
1/8"	10.29	27	0.94	9.982	9.233	6.484	4.572	6.703	9.967
1/4"	13.72	18	1.412	13.259	12.126	10.998	5.08	10.206	15.103
3/8"	17.14	18	1.412	16.662	15.545	14.427	60.96	10.358	15.255
1/2"	21.34	14	1.814	20.726	19.263	17.805	8.128	13.556	19.85
3/4"	26.67	14	1.814	26.035	24.58	23.139	8.611	13.861	20.155
1"	33.4	11.1/2	2.21	32.588	30.825	29.058	10.16	17.953	25.006
1 1/4"	42.16	11.1/2	2.21	41.326	39.55	37.795	10.688	17.953	25.616
1 1/2"	48.26	11.1/2	2.21	47.396	45.621	43.866	10.688	18.377	26.04
2"	60.32	11.1/2	2.21	59.411	57.633	55.855	11.074	19.215	26.878