

规格

设计
一片式设计, 全通径

操作
无

连接
G 螺纹、NPT 螺纹、RC 螺纹、承插焊

压力范围
200PSI

公称压力
1/2" - 3": 200PSI

温度范围
金属: -196°C - +570°C

材料
阀体: CF8
CF8M

内件: 304
316

密封: 金属

Specification

DESIGN
1-piece design, full bore

OPERATION
No

CONNECTION
G thread/NPT thread/RC thread/Socket weld

PRESSURE RANGE
200PSI

NOMINAL PRESSURE
1/2" - 3": 200PSI

TEMPERATURE RANGE
Metal: -196°C - +570°C

MATERIALS
Body: CF8
CF8M

Trim: 304
316

Seal: Metal

型号:
CAF

旋启式止回阀
全通径
200PSI

CF8
CF8M



Type:
CAF

Swing check valve
Full bore
200PSI

CF8
CF8M

举例说明: 比如 CAF33D3115

=旋启式止回阀, CF8/304, 金属, 200PSI, G螺纹, DN25
止回阀

1.字符 产品	2+3.字符 阀体/内件	4.字符 密封	5.字符 压力标准	6.字符 连接	7 + 8.字符 口径
CAF=旋启式 止回阀 全通径 一片式	33=CF8/304 44=CF8M/316	D=金属	3=200PSI	1=G螺纹 8=NPT螺纹 R=RC螺纹 4=承插焊	11=1/4" 16=1-1/4" 12=3/8" 17=1-1/2" 13=1/2" 18=2" 14=3/4" 19=2-1/2" 15=1" 20=3"

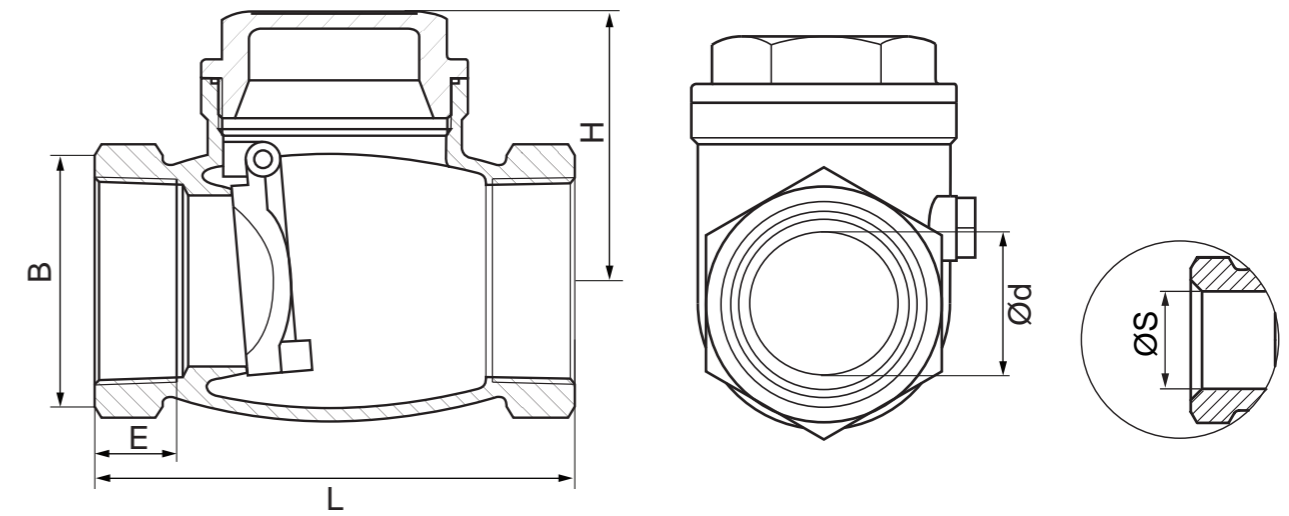
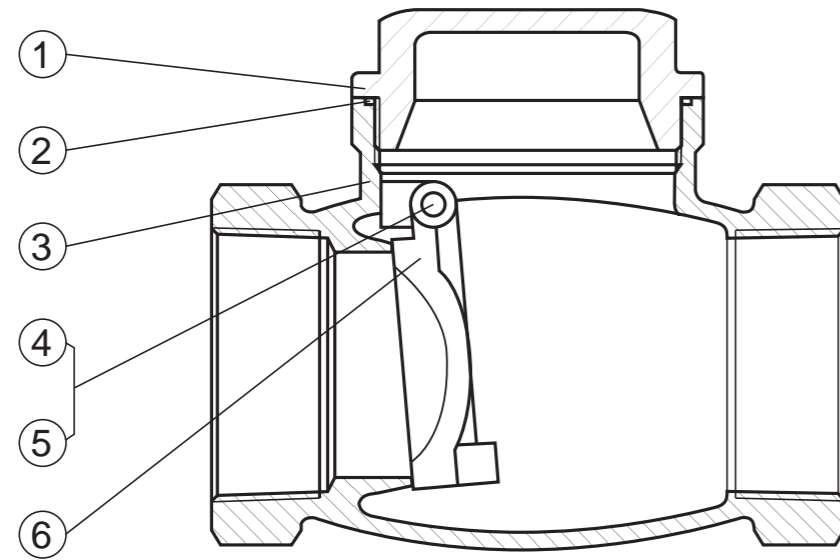
Ordering example:e.g. CAF33D3115

= Swing check valve, CF8/CF8, Metal, G thread, DN25
Check valve

A. Type	B+C. Body/Trim	D. Seal	E. Pressure	F. Connection	G+H. Size
CAF=Swing check valve Full bore 1-part type	33=CF8/CF8 44=CF8M/CF8M	D=METAL	3=200PSI	1=GThread 8=NPT Thread R=RC Thread 4=Socket weld	11=1/4" 16=1-1/4" 12=3/8" 17=1-1/2" 13=1/2" 18=2" 14=3/4" 19=2-1/2" 15=1" 20=3"

以上信息仅供参考, 本公司保留修改的权利, 恕不另行通知

The above information is for reference only and Eicmation reserves the right to alter without prior notice



Thread

Socket weld

序号	描述	材质
1	阀帽	CF8
		CF8M
2	垫片	PTFE
3	阀体	CF8
		CF8M
4	阀针	CF8
5	插件垫圈	PTFE
6	阀板	304
		316

No.	Description	Material
1	Bonnet	CF8
		CF8M
2	Gasket	PTFE
3	Body	CF8
		CF8M
4	Valve needle	CF8
5	Plug gasket	PTFE
6	Disc	304
		316

SIZE	DN	E	L	H	B	S
1/2"	15	12	65	42	26	21.7
3/4"	20	17	75	46	32	27.1
1"	25	20	90	54	41	33.8
1-1/4"	32	20	105	58	49	42.6
1-1/2"	40	20	120	66	56	48.7
2"	50	23	140	74	59	61.1
2-1/2"	65	27	165	89	86	76.9
3"	80	30	185	102	98	89.8

规格

设计
一片式设计, 全口径

操作
无

连接
G螺纹 ANSI B 1.20.1
NPT螺纹 ANSI B 1.20.1
承插焊 ANSI B 16.11
对焊 ANSI B16.25

压力范围
600LB/900LB/1500LB

公称压力
1/4" - 2 1/2"

温度范围
金属: -196°C - +570°C

材料
阀体: A105
F304
F316

阀板: 304
316

密封: 金属

Specification

DESIGN
1-piece design, full bore

OPERATION
No

CONNECTION
G thread ANSI B 1.20.1
NPT thread ANSI B 1.20.1
Socket weld ANSI B 16.11
Butt weld ANSI B16.25

PRESSURE RANGE
600LB/900LB/1500LB

NOMINAL PRESSURE
1/4" up to 2 1/2"

TEMPERATURE RANGE
Metal: -196°C - +570°C

MATERIALS
Body: A105
F304
F316

Disc: 304
316

Seal: Metal

型号:
CGF

锻钢旋启式止回阀

600LB/900LB/1500LB

A105
F304
F316



Type:
CGF

Forged steel swing
check valve

600LB/900LB/1500LB

A105
F304
F316

举例说明: 比如 CGF33D3115

=锻钢旋启式止回阀, F304/304, 金属, 600LB, G螺纹, DN25
止回阀

1.字符 产品	2+3.字符 阀体/内件	4.字符 密封	5.字符 压力标准	6.字符 连接	7 + 8.字符 口径
CGF=锻钢旋启式 止回阀	22=A105/A105 33=F304/304 44=F316/316	D=金属	7=600LB 8=900LB 9=1500LB	1=G螺纹 8=NPT螺纹 4=承插焊 S=对焊	11=1/4" 16=1-1/4" 12=3/8" 17=1-1/2" 13=1/2" 18=2" 14=3/4" 19=2 1/2" 15=1"

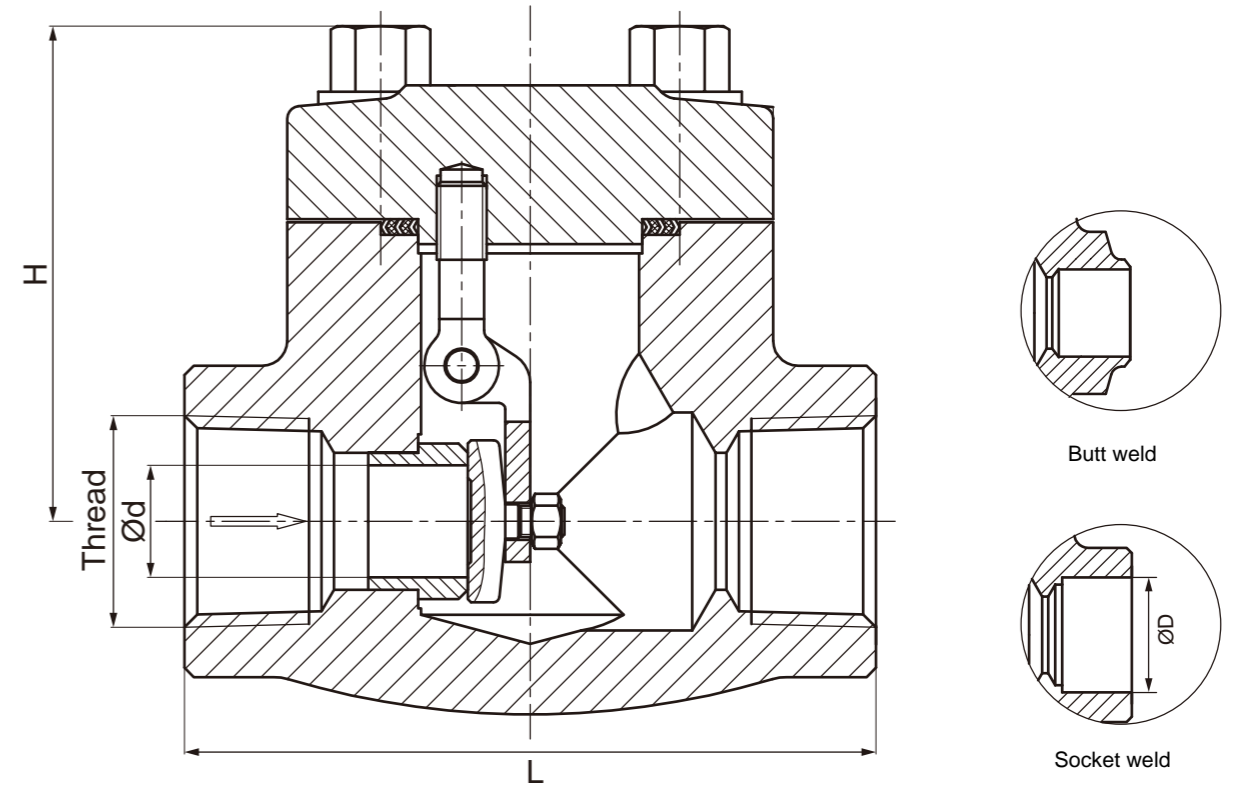
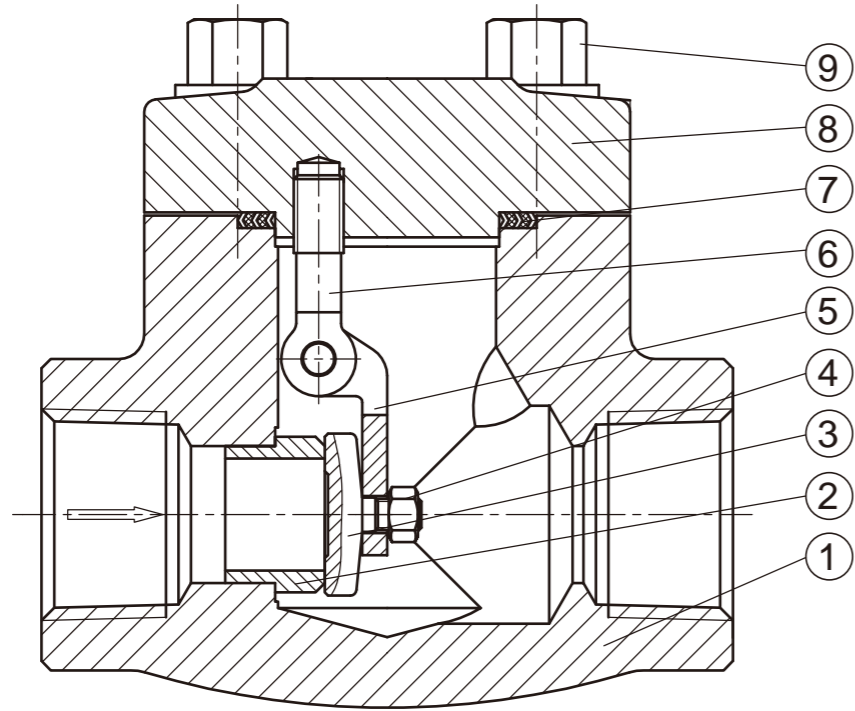
Ordering example: e.g. CGF33D3115

=Forged steel swing check valve, F304/304, Metal, 600LB, G thread, DN25
Check valve

A. Product	B+C. Body/Internal	D. Sealing	E. Pressure criteria	F. Connection	G+H. Size
CGF=Forged steel swing check valve	22=A105/A105 33=F304/304 44=F316/316	D=METAL	7=600LB 8=900LB 9=1500LB	1=GThread 8=NPT Thread 4=Socket weld S=Butt weld	11=1/4" 16=1-1/4" 12=3/8" 17=1-1/2" 13=1/2" 18=2" 14=3/4" 19=2 1/2" 15=1"

零件说明/Parts list

尺寸/Dimension

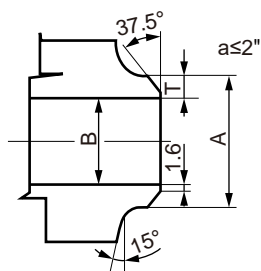


序号	描述	材料
1	阀体	A105
		F304
		F316
2	座圈	A105
		304
		316
3	阀板	A105
		304
		316
4	螺母	S.S
5	铰链	S.S
6	阀轭	S.S
7	垫圈	SS+柔性石墨
8	阀盖	F304
		F316
9	螺栓	A193 B7
		A193 B8
		A193 B8M

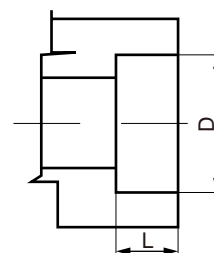
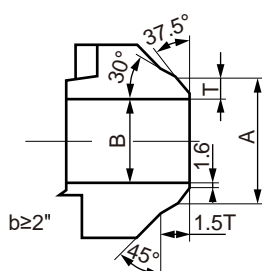
NO.	Description	Material
1	Body	A105
		F304
		F316
2	Seat	A105
		304
		316
3	Disc	A105
		304
		316
4	Nut	S.S
5	Hinge	S.S
6	Yoke	S.S
7	Gasket	CF8M+Graphite
8	Bonnet	F304
		F316
9	Bolt	A193 B7
		A193 B8
		A193 B8M

SIZE		600LB			900LB			1500LB		
R.P	F.P	L	H	d	L	H	d	L	H	d
-	1/4"	79	61	8	92	61	8	110	166	8
1/2"	3/8"	79	61	10.5	111	78	10.5	110	166	10.5
3/4"	1/2"	92	61	13.5	111	78	13.5	110	171	13.5
1"	3/4"	111	78	18	120	84	18	110	207	18
1 1/4"	1"	120	84	24	120	101	24	150	240	24
1 1/2"	1 1/4"	120	84	29	140	120	29	150	258	29
2"	1 1/2"	140	120	36.5	178	133	45	210	330	36.5
2 1/2"	2"	178	133	45	-	-	-	235	355	45

尺寸/Dimension

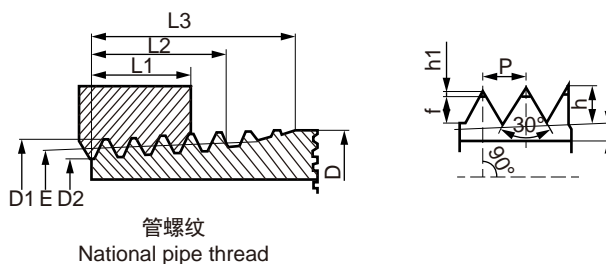


Butt weld



Socket weld

DN	Butt weld												Socket weld					
	SCH.40			SCH.80			SCH.160			SCH.XXS			GB		ANSI		JIS	
	A	B	T	A	B	T	A	B	T	A	B	T	D	L	D	L	D	L
1/4"	-	-	-	-	-	-	-	-	-	-	-	-	14.5	10	14.1	9.6	14.3	9.6
3/8"	-	-	-	-	-	-	-	-	-	-	-	-	18	10	17.6	9.6	17.9	9.6
1/2"	21.3	15.8	2.77	21.3	13.8	3.73	21.3	11.7	4.78	21.3	6.4	7.47	22.5	10	21.8	9.6	22.2	9.6
3/4"	26.7	25	2.87	26.7	18.9	3.91	26.7	15.6	5.56	26.7	11.1	7.82	28.5	11	27.1	12.7	27.7	12.7
1"	33.4	26.6	3.38	33.4	24.3	4.55	33.4	20.7	6.35	33.4	15.2	9.09	34.5	12	33.8	12.7	34.5	12.7
1 1/4"	42.2	35.1	3.55	42.2	32.5	4.85	42.2	29.5	6.35	42.2	22.8	9.7	43	14	42.6	12.7	43.2	12.7
1 1/2"	48.3	41	3.68	48.3	38.1	5.08	48.3	33.5	7.41	48.3	28	10.15	49	15	48.7	12.7	49.1	12.7
2"	60.3	52.5	3.91	60.3	49.2	5.54	60.3	42.9	8.74	60.3	38.2	11.07	61.2	16	61.2	15.9	61.2	15.9
2 1/2"	73	62.7	5.15	73	59	7.01	73	54	9.53	73	45	14.02	-	-	-	-	-	-
3"	88.9	78	5.48	88.9	73.7	7.62	88.9	66.6	11.13	88.9	58.4	15.24	-	-	-	-	-	-
4"	114.3	102.3	6.02	114.3	97.2	8.53	114.3	85.3	13.49	114.3	80.1	17.12	-	-	-	-	-	-



DN	D	N	P	D1	E	D2	L1	L2	L3
1/8"	10.29	27	0.94	9.982	9.233	6.484	4.572	6.703	9.967
1/4"	13.72	18	1.412	13.259	12.126	10.998	5.08	10.206	15.103
3/8"	17.14	18	1.412	16.662	15.545	14.427	60.96	10.358	15.255
1/2"	21.34	14	1.814	20.726	19.263	17.805	8.128	13.556	19.85
3/4"	26.67	14	1.814	26.035	24.58	23.139	8.611	13.861	20.155
1"	33.4	11.1/2	2.21	32.588	30.825	29.058	10.16	17.953	25.006
1 1/4"	42.16	11.1/2	2.21	41.326	39.55	37.795	10.688	17.953	25.616
1 1/2"	48.26	11.1/2	2.21	47.396	45.621	43.866	10.688	18.377	26.04
2"	60.32	11.1/2	2.21	59.411	57.633	55.855	11.074	19.215	26.878