

SIZE	DN	Ød	L	H	W	S
1/2"	15	15	55	101	70	21.7
3/4"	20	20	60	108	70	27.1
1"	25	25	65	115	80	33.8
1 1/4"	32	32	75	132	80	42.6
1 1/2"	40	40	85	149	90	48.7
2"	50	50	95	175	100	61.1
2 1/2"	65	65	116	213	140	76.9
3"	80	80	130	241	140	89.8

规格

设计  
闸阀双向密封，适用于介质的关闭。  
设计标准API 602、BS5352、ANSI B16.34

操作  
手动操作

连接  
G螺纹/NPT螺纹 ANSI B16.11  
对焊 ANSI B16.25  
承插焊 ANSI B16.11

压力范围  
300LB/600LB/900LB/1500LB/2500LB

公称压力  
1/4"-3"

温度范围  
金属: -196°C - +570°C

材料  
阀体: A105  
F304  
F316

阀板: 304  
316

密封: 金属

Specification

**DESIGN**  
The gate valve is suitable for the closing of the medium. Two-way seal  
Design and manufacture conform to API 602、BS5352、ANSI B16.34

**OPERATION**  
Manual operation

**CONNECTION**  
G thread/NPT thread ANSI B16.11  
Butt weld ANSI B16.25  
Socket weld ANSI B16.11

**PRESSURE RANGE**  
300LB/600LB/900LB/1500LB/2500LB

**NOMINAL PRESSURE**  
1/4"-3"

**TEMPERATURE RANGE**  
METAL: -196°C - +570°C

**MATERIALS**  
Body: A105  
F304  
F316

Disc: 304  
316

Seal: Metal

型号:  
GGL/GGV  
锻钢闸阀/自密封闸阀  
全通径  
300LB/600LB/900LB  
1500LB/2500LB  
A105  
F304  
F316



Type:  
GGL/GGV  
Forged steel gate valve  
/Self-sealing gate valve  
Full bore  
300LB/600LB/900LB  
1500LB/2500LB  
A105  
F304  
F316

以上信息仅供参考，本公司保留修改的权利，恕不另行通知

The above information is intended for guidance only and the company reserves the right to change any date herein without prior notice

举例说明: 比如 GGL23D8 115

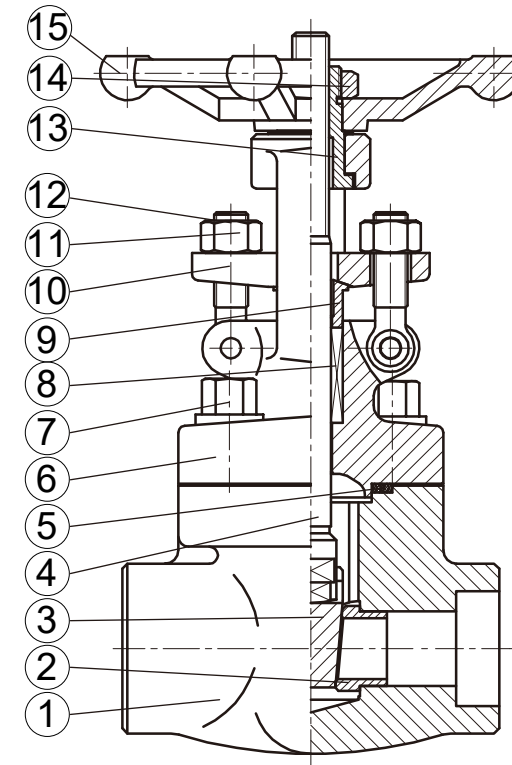
=锻钢闸阀, A105/304, 金属密封, 900LB, G螺纹, DN25  
闸阀

1.字符 产品	2+3.字符 阀体/内件	4.字符 密封	5.字符 压力标准	6.字符 连接	7 + 8.字符 口径
GGL=锻钢闸阀 GGV=自密封闸阀 全通	23=A105/304 33=F304/304 44=F316/316	D=金属	5=300LB 7=600LB 8=900LB 9=1500LB B=2500LB	1=G螺纹 4=承插焊 8=NPT螺纹 S=对焊	11=1/4" 12=3/8" 13=1/2" 14=3/4" 15=1" 16=1-1/4" 17=1-1/2" 18=2" 19=2-1/2" 20=3"

Ordering example: e.g. GGL23D8 115

=Forged steel gate valve, A105/304, Metal, 900LB, G thread, DN25  
Gate valve

A. Product	B+C. Body/Internal	D. Sealing	E. Pressure criteria	F. Connection	G+H. Size
GGL=Forged steel gate valve GGV=Self-sealing gate valve Full bore	23=A105/304 33=F304/304 44=F316/316	D=Metal	5=300LB 7=600LB 8=900LB 9=1500LB B=2500LB	1=G Thread 4=Socket weld 8=NPT Thread S=Butt weld	11=1/4" 12=3/8" 13=1/2" 14=3/4" 15=1" 16=1-1/4" 17=1-1/2" 18=2" 19=2-1/2" 20=3"

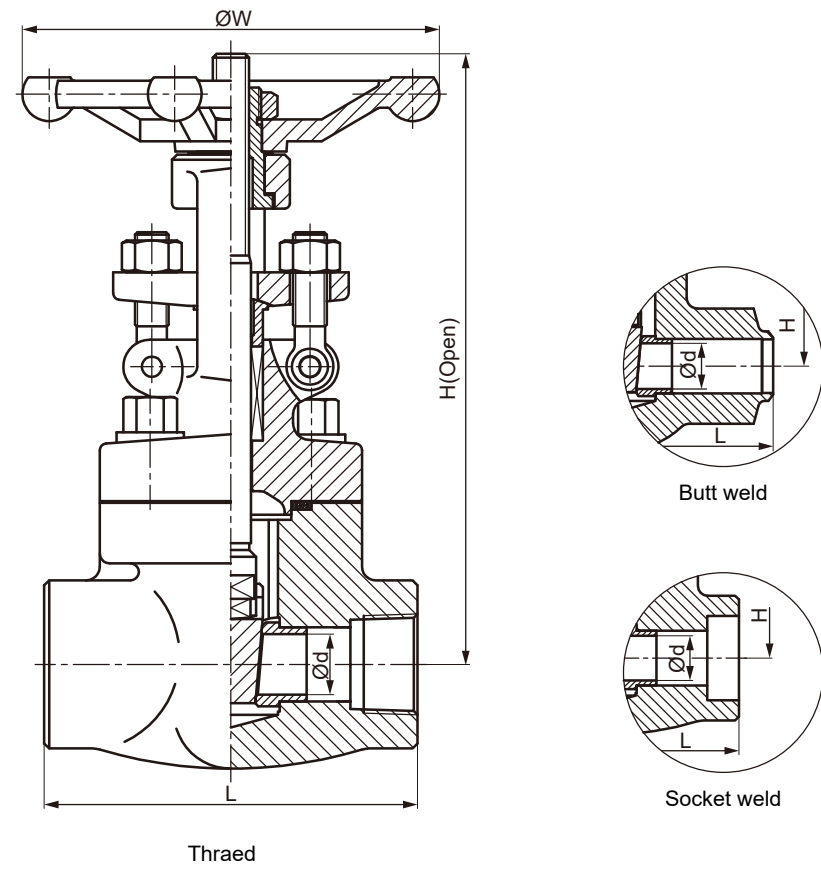


序号	描述	材料
1	阀体	A105
		F304
		F316
2	阀座	304
		316
3	闸板	304
		316
4	阀杆	304
		316
5	垫圈	不锈钢+柔性石墨
6	阀盖	A105
		F304
		F316
7	螺栓	A 193 B8M
8	填料	柔性石墨
9	填料压套	柔性石墨
10	压盖	A105
		304
		316
11	活结螺栓	A 193 B8
12	螺母	A 194 8
13	阀杆螺母	410
14	锁紧螺母	钢
15	手轮	A 197

NO.	Description	Material
1	Body	A105
		F304
		F316
2	Seat	304 316
3	Wedge	304 316
4	Stem	304 316
5	Gasket	Stainless steel+Graphite
6	Bonnet	A105
		F304
		F316
7	Bolt	A 193 B8M
8	Packing	Graphite
9	Gland	Graphite
10	Gland	A105
		304
		316
11	Gland eyebolt	A 193 B8
12	Nut	A 194 8
13	Stem nut	410
14	Locking nut	Steel
15	Handw heel	A 197

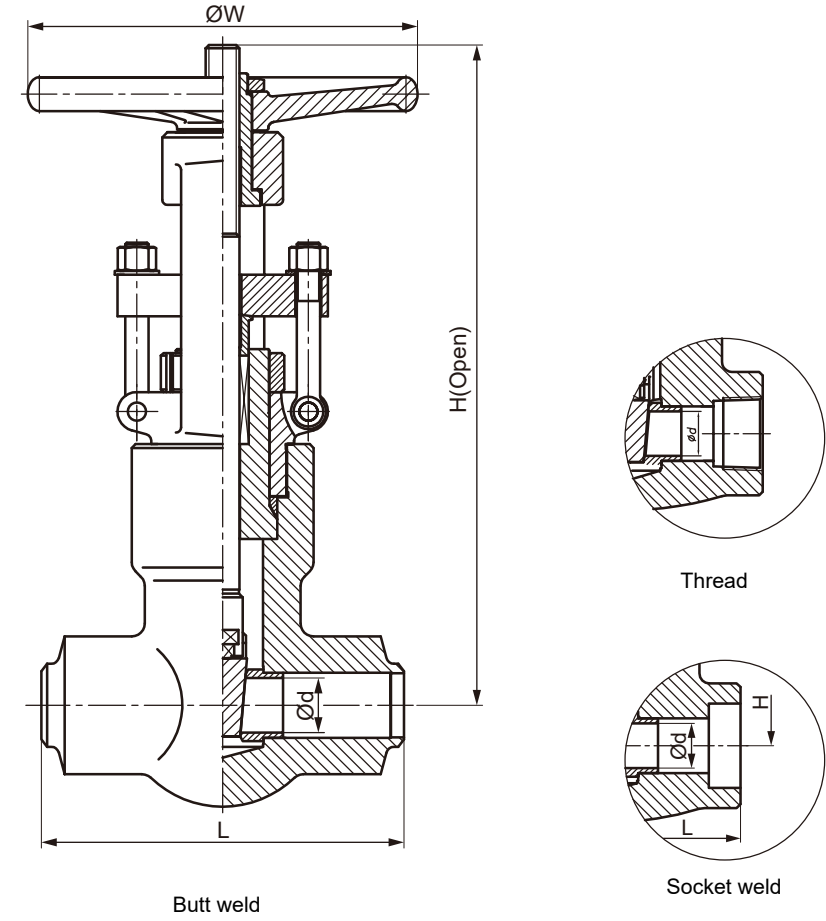
尺寸/Dimension

常规结构  
General structure



尺寸/Dimension

自密封结构  
Self-sealing structure



SIZE		Ød	300LB/600LB			900LB/1500LB		
R.P	F.P		L	W	H	L	W	H
-	1/4"	8	79	100	161	92	100	191
1/2"	3/8"	10.5	79	100	161	111	125	191
3/4"	1/2"	13.5	92	100	163	111	125	192
1"	3/4"	18	111	125	196	120	160	219
1 1/4"	1"	24	120	160	223	120	160	243
1 1/2"	1 1/4"	29	120	160	251	140	180	296
2"	1 1/2"	36.5	140	180	290	178	200	316
2 1/2"	2"	45	178	200	333	180	220	370
3"	2 1/2"	51	180	220	370	-	-	-

\* 焊接端口尺寸可按要求定制。  
\* Weld port size customised on request.

SIZE	Ød	900LB/1500LB			2500LB		
		L	W	H	L	W	H
3/8"	14	140	200	318	186	200	325
1/2"	14	140	200	318	186	200	325
3/4"	14	140	200	318	186	200	325
1"	19	140	200	322	186	200	327
1 1/4"	25	178	280	467	232	280	467
1 1/2"	30	178	280	468	232	280	468
2"	36.5	216	300	540	279	300	540

\* 焊接端口尺寸可按要求定制。  
\* Weld port size customised on request.