



规格

设计
 螺栓阀盖设计, 缩径
 设计标准: API 602 BS5352 MSS SP-118

操作
 手动操作

连接
 G螺纹 ANSI B16.11
 NPT螺纹 ANSI B16.11
 承插焊 ANSI B 16.11
 对焊 ANSI B16.25

压力范围
 300LB/600LB/900LB/1500LB/2500LB

公称压力
 1/4"-21/2"

温度范围
 金属: -196°C - +570°C

材料
 阀体: A105
 F304
 F316

阀板: 304
 316

密封: 金属

填料: 柔性石墨

Specification

DESIGN
 Threaded globe valve design of Bolt Cover,
 reduced diameter
 Design criteria: API 602 BS 5352 MSS SP-118

OPERATION
 Manual operation

CONNECTION
 G thread ANSI B16.11
 NPT thread ANSI B16.11
 Socket weld ANSI B 16.11
 Butt weld ANSI B16.25

PRESSURE RANGE
 300LB/600LB/900LB/1500LB/2500LB

NOMINAL PRESSURE
 1/4"-21/2"

TEMPERATURE RANGE
 METAL: -196°C - +570°C

MATERIALS
 Body: A105
 F304
 F316

Disc: 304
 316

Seal: Metal

Spindle seal: Graphite

型号:
JFL/JFV

锻钢截止阀 / 自密封截止阀
缩径
300LB/600LB/900LB/
1500LB/2500LB

A105
F304
F316



Type:
JFL/JFV

Forged steel globe valve/
Self-sealing globe valve
Reduced bore
300LB/600LB/900LB/
1500LB/2500LB

A105
F304
F316

举例说明: 比如 JFL33D8115

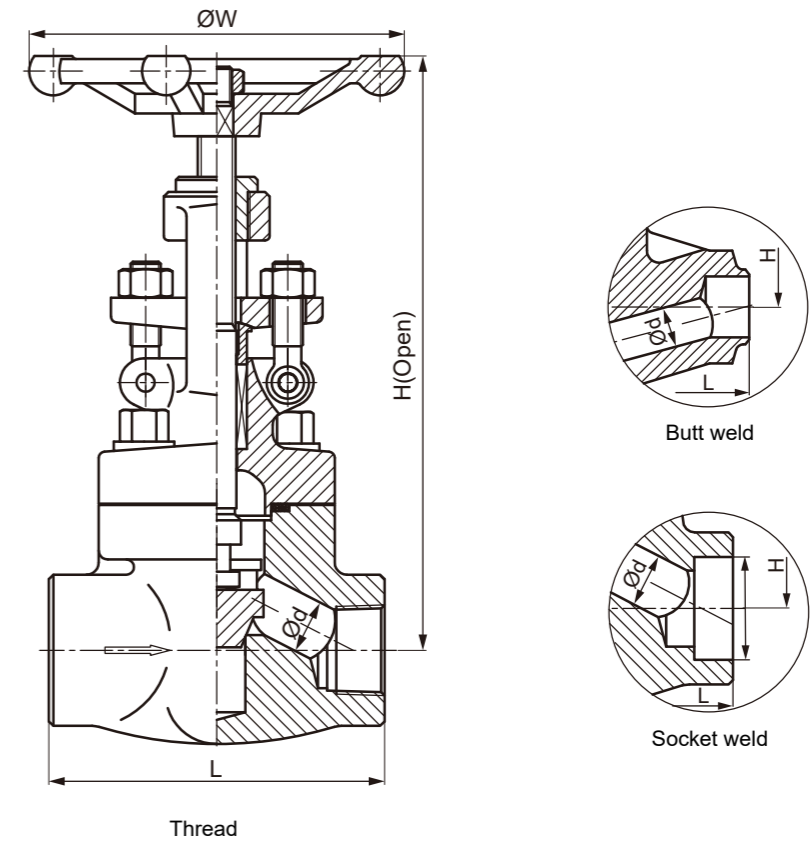
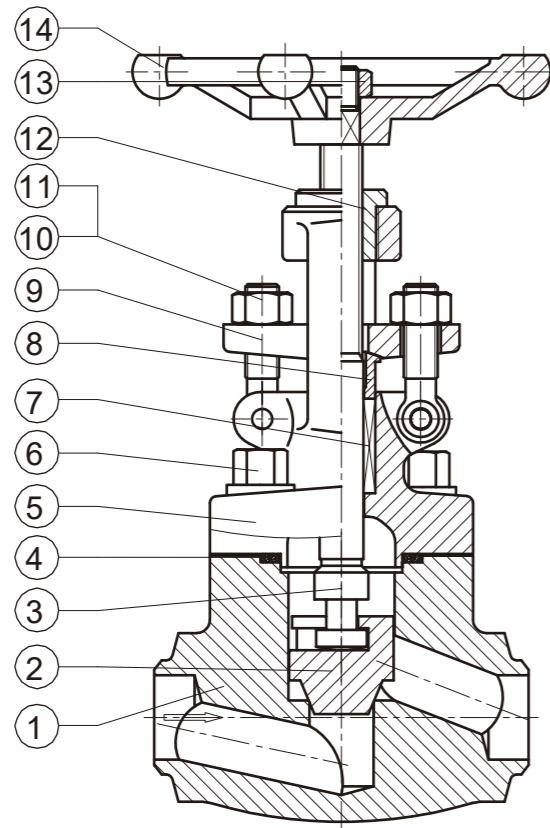
=锻钢截止阀, F304/304, 金属密封, 900LB, G螺纹, DN25
 截止阀

1.字符 产品	2+3.字符 阀体/内件	4.字符 密封	5.字符 压力标准	6.字符 连接	7 + 8.字符 口径
JFL=锻钢截止阀 JFV=自密封 截止阀 缩径	23=A105/304 33=F304/304 44=F316/316	D=金属	5=300LB 7=600LB 8=900LB 9=1500LB B=2500LB	1=G螺纹 4=承插焊 8=NPT螺纹 S=对焊	12=1/4" 13=1/2" 14=3/4" 15=1" 16=1-1/4" 17=1-1/2" 18=2" 19=21/2"

Ordering example: e.g. JFL33D8115

=Forged steel globe valve, F304/304, Metal, 900LB, G thread, DN25
 Globe valve

A. Product	B+C. Body/Internal	D. Sealing	E. Pressure criteria	F. Connection	G+H. Size
JFL=Forged steel globe valve JFV=Self-sealing globe valve Reduced bore	23=A105/304 33=F304/304 44=F316/316	D=Metal	5=300LB 7=600LB 8=900LB 9=1500LB B=2500LB	1=G Thread 4=Socket weld 8=NPT Thread S=Butt weld	12=1/4" 13=1/2" 14=3/4" 15=1" 16=1-1/4" 17=1-1/2" 18=2" 19=21/2"



序号	描述	材料
1	阀体	A105
		F304
		F316
2	阀瓣	304
		316
3	阀杆	304
		316
4	垫片	不锈钢+柔性石墨
5	阀盖	A105
		F304
		F316
6	螺栓	A193 B8M
7	填料	柔性石墨
8	填料压套	柔性石墨
9	压盖法兰	A105
		304
		316
10	活结螺栓	A193 B8
11	螺母	A194 8
12	阀杆螺母	410
13	锁紧螺母	钢
14	手轮	A197

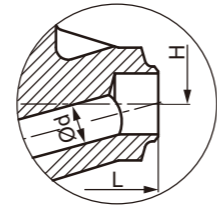
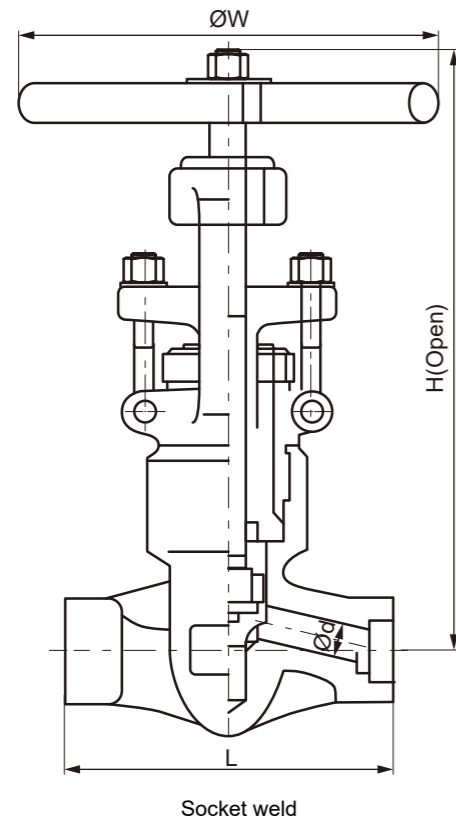
NO.	Description	Material
1	Body	A105
		F304
		F316
2	Seat	304
3	Stem	304
		316
4	Gasket	Stainless steel+Graphite
5	Bonnet	A105
		F304
		F316
6	Bolt	A193 B8M
7	Packing	Graphite
8	Gland	Graphite
9	Gland flange	A105
		304
		316
10	Gland eyebolt	A193 B8
11	Nut	A194 8
12	Stem nut	410
13	Locking nut	Steel
14	Hand wheel	A197

SIZE		300LB/600LB				900LB/1500LB			
R.P	F.P	d	L	W	H	d	L	W	H
-	1/4"	7	79	100	164	7	92	100	171
1/2"	3/8"	9	79	100	164	12	111	125	207
3/4"	1/2"	13	92	100	164	15	111	125	207
1"	3/4"	17.5	111	125	203	20	120	160	240
1 1/4"	1"	23	120	160	224	28	152	160	258
1 1/2"	1 1/4"	30	152	160	260	32	172	180	330
2"	1 1/2"	35	172	180	300	40	200	200	355
2 1/2"	2"	46	200	200	355	45	220	240	370

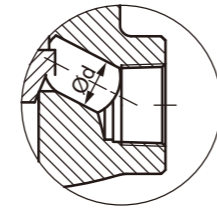
* 焊接端口尺寸可按要求定制。
*Weld port size customised on request.

尺寸/Dimension

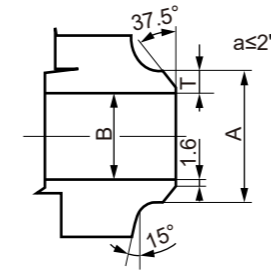
自密封结构
Self-sealing structure



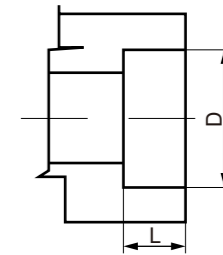
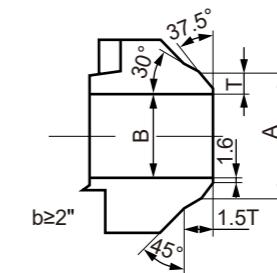
Butt weld



Thread



Butt weld

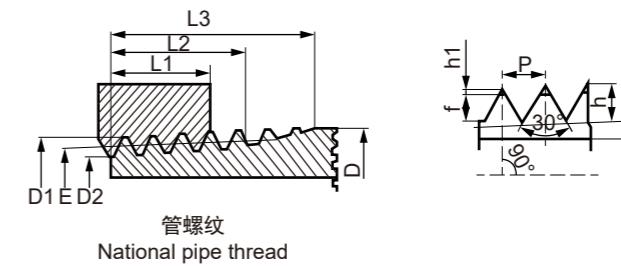


Socket weld

DN	Butt weld												Socket weld					
	SCH.40			SCH.80			SCH.160			SCH.XXS			GB		ANSI		JIS	
	A	B	T	A	B	T	A	B	T	A	B	T	D	L	D	L	D	L
1/4"	-	-	-	-	-	-	-	-	-	-	-	-	14.5	10	14.1	9.6	14.3	9.6
3/8"	-	-	-	-	-	-	-	-	-	-	-	-	18	10	17.6	9.6	17.9	9.6
1/2"	21.3	15.8	2.77	21.3	13.8	3.73	21.3	11.7	4.78	21.3	6.4	7.47	22.5	10	21.8	9.6	22.2	9.6
3/4"	26.7	25	2.87	26.7	18.9	3.91	26.7	15.6	5.56	26.7	11.1	7.82	28.5	11	27.1	12.7	27.7	12.7
1"	33.4	26.6	3.38	33.4	24.3	4.55	33.4	20.7	6.35	33.4	15.2	9.09	34.5	12	33.8	12.7	34.5	12.7
1 1/4"	42.2	35.1	3.55	42.2	32.5	4.85	42.2	29.5	6.35	42.2	22.8	9.7	43	14	42.6	12.7	43.2	12.7
1 1/2"	48.3	41	3.68	48.3	38.1	5.08	48.3	33.5	7.41	48.3	28	10.15	49	15	48.7	12.7	49.1	12.7
2"	60.3	52.5	3.91	60.3	49.2	5.54	60.3	42.9	8.74	60.3	38.2	11.07	61.2	16	61.2	15.9	61.2	15.9
2 1/2"	73	62.7	5.15	73	59	7.01	73	54	9.53	73	45	14.02	-	-	-	-	-	-
3"	88.9	78	5.48	88.9	73.7	7.62	88.9	66.6	11.13	88.9	58.4	15.24	-	-	-	-	-	-
4"	114.3	102.3	6.02	114.3	97.2	8.53	114.3	85.3	13.49	114.3	80.1	17.12	-	-	-	-	-	-

SIZE	900LB/1500LB				2500LB			
	d	L	W	H	d	L	W	H
1/2"	12	140	200	320	11	186	200	375
3/4"	15	140	200	320	14	186	200	378
1"	20	140	200	320	19	186	200	380
1 1/4"	28	178	280	440	25	232	280	490
1 1/2"	32	178	280	440	28	232	280	490
2"	40	216	300	490	35	279	300	540

* 焊接端口尺寸可按要求定制。
* Weld port size customised on request.



管螺纹
National pipe thread

DN	D	N	P	D1	E	D2	L1	L2	L3
1/8"	10.29	27	0.94	9.982	9.233	6.484	4.572	6.703	9.967
1/4"	13.72	18	1.412	13.259	12.126	10.998	5.08	10.206	15.103
3/8"	17.14	18	1.412	16.662	15.545	14.427	60.96	10.358	15.255
1/2"	21.34	14	1.814	20.726	19.263	17.805	8.128	13.556	19.85
3/4"	26.67	14	1.814	26.035	24.58	23.139	8.611	13.861	20.155
1"	33.4	11.1/2	2.21	32.588	30.825	29.058	10.16	17.953	25.006
1 1/4"	42.16	11.1/2	2.21	41.326	39.55	37.795	10.688	17.953	25.616
1 1/2"	48.26	11.1/2	2.21	47.396	45.621	43.866	10.688	18.377	26.04
2"	60.32	11.1/2	2.21	59.411	57.633	55.855	11.074	19.215	26.878