

## 规格

### 设计

执行器适合球阀和蝶阀90°旋转操作的执行规格

防水和过载保护,  
除湿,  
过热保护

### 材料

壳体: 铝合金  
表面: 聚氨酯涂层

### 温度范围

-30°C - +60°C

### 连接

安装盘: ISO 5211  
电气接口: PG13.5

### 可选电压

24V DC,24V AC,110V AC  
220V AC,380V AC

### 保护

IP 67

### 限位末端

无源触点开关

### 标准设备

无源触点开关, 物理指示器, 手动控制

### 选项

除湿加热器  
过力矩保护  
调节型4-20mA  
Exd IIB T4  
更多要求请咨询

## Specification

### DESIGN

The actuator is especially suitable for the operation of ball valves and butterfly valves with 90°-rotation angle

A water resistant body with overload protection and dehumidification. The overheat protection device is initiated

### MATERIALS

Body: Aluminium Alloy  
Surface: polyurethane coating

### TEMPERATURE RANGE

-30°C - +60°C

### CONNECTION

Mounting Pad: ISO 5211  
Electrical interface: PG13.5

### OPTIONAL VOLTAGE

24V DC,24V AC,110V AC  
220V AC,380V AC.

### PROTECTION

IP 67

### END limited

Passive contact switch

### EQUIPMENT

Passive contact switch, optical position indicator, manual override

### OPTIONS

Dehumidification heater  
Overtorque protection  
Modulante type 4-20mA  
Exd IIB T4  
For more requests please contact us

型号:

KL

基本型角行程电动执行器  
50Nm - 2000Nm



Type:

KL

Basic Rotary Stroke  
Electric Actuator  
50Nm - 2000Nm

以上信息仅供参考, 本公司保留修改的权利, 恕不另行通知

The above information is for reference only and Eicmation reserves the right to alter without prior notice

举例说明: 比如 KL111111

=电动执行器, 24V DC, 防护等级IP67, 50Nm, 开关型+干接点。

执行器

1.字符 产品	2+3.字符 电压	4.字符 防爆等级	5 + 6.字符 扭矩 (NM)	7.字符 附件	8.字符 备用
KL=基本型角行程 电动执行器	1=24V DC 2=24V AC 3=110V AC 4=220V AC 5=380V AC	1=无 2=Exd II BT4 (50-600NM)	11=50 13=100 15=200 17=400 19=600 21=1000 23=2000	1=开关+干接点 2=调节型4~20mA	1=无 2=电位计1K~10K 3=电流位置传感器4~20mA 4=过载保护 (200-2000NM) 5=后备电源 6=高温100°C 7=低温-40°C 8=除湿保护

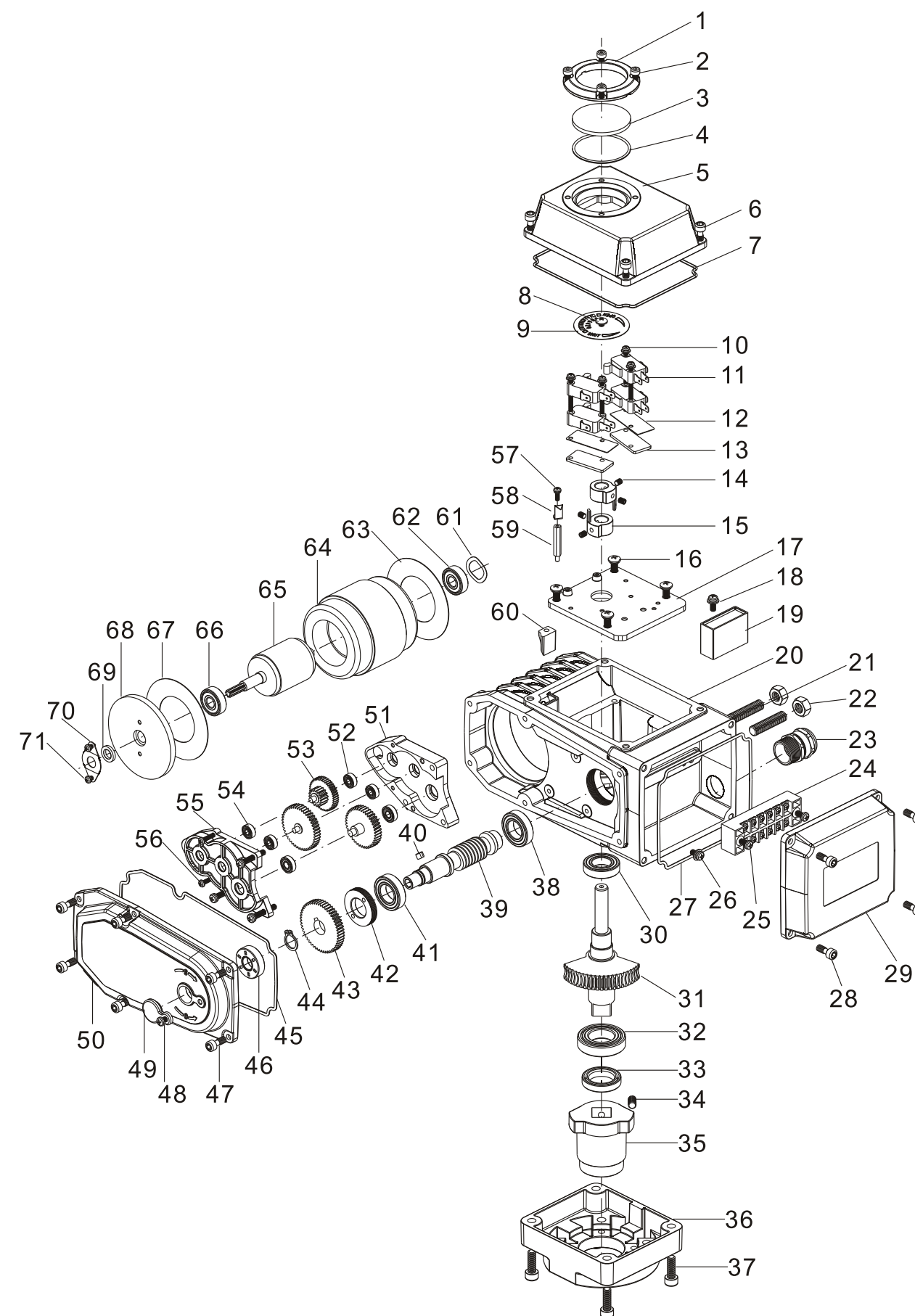
Ordering example: e.g. KL111111

= Electric actuator, 24V DC, Protection grade IP67, 50Nm, On/off type+Limit switch

Actuator

A Type	B+C Voltage	D Explosion proof grade	E+F Torque(NM)	G Extra	H Spare
KL=Basic rotary stroke Electric actuator	1=24V DC 2=24V AC 3=110V AC 4=220V AC 5=380V AC	1=None 2=Exd II BT4 (50-600NM)	11=50 13=100 15=200 17=400 19=600 21=1000 23=2000	1=On/Off type +Limit switch 2=Modulante type 4~20mA	1=No 2=1K~10K potentiometer 3=Current position sensor 4~20mA 4=Overload protection (200-2000NM) 5=Backup power supply 6=High temperature 100 7=Low temperature -40 8=Arefaction protect

## 零件清单 /Parts list



## 零件清单 /Parts list

序号	名称	数量	序号	名称	数量	NO.	Description	Qty	NO.	Description	Qty
1	指示窗罩	1	37	内六角圆柱头螺钉	4	1	Indicator window cover	1	37	Internal six angle cylinder head screw	4
2	内六角圆柱头螺钉	4	38	轴承	1	2	Internal six angle cylinder head screw	4	38	Bearing	1
3	视镜	1	39	蜗杆	1	3	Mirror	1	39	Worm	1
4	O型圈	1	40	平键	1	4	O-ring	1	40	Flat key	1
5	电装-上盖	1	41	轴承	1	5	Electric loading - upper cover	1	41	Bearing	1
6	防脱内六角螺钉	4	42	锁紧螺母	1	6	Anti off inner six angle screw	4	42	Lock nut	1
7	O型圈	1	43	蜗杆齿轮	1	7	O-ring	1	43	Worm gear	1
8	十字螺钉	1	44	轴用挡圈	1	8	Cross screw	1	44	Shaft ring	1
9	刻度盘	1	45	O型圈	1	9	Dial	1	45	O-ring	1
10	十字螺钉(组件)	4	46	油封	1	10	Cross screw (component)	4	46	Oil seal	1
11	行程开关	4	47	防脱内六角螺钉	6	11	Stroke switch	4	47	Anti off inner six angle screw	6
12	绝缘护板	2	48	十字螺钉(组件)	1	12	Insulation guard board	2	48	Cross screw (component)	1
13	绝缘垫板	2	49	防尘堵头	1	13	Insulation plate	2	49	Dust plug	1
14	内六角紧定螺钉	4	50	电装-前盖	1	14	Internal six angle screw	4	50	Electric fitting - front cover	1
15	行程挡块	2	51	电装-减速盒1	1	15	Stroke block	2	51	Electric assembly deceleration box 1	1
16	十字螺钉(组件)	4	52	轴承	3	16	Cross screw (component)	4	52	Bearing	3
17	电装-内盖	1	53	电装-减速齿轮组件	3	17	Denso - cover	1	53	Electrifying reduction gear assembly	3
18	十字螺钉(组件)	1	54	轴承	3	18	Cross screw (component)	1	54	Bearing	3
19	电容器	1	55	电装-减速盒2	1	19	Capacitor	1	55	Electric assembly deceleration box 2	1
20	电装-箱体	1	56	十字螺钉(组件)	5	20	Electric installation box	1	56	Cross screw (component)	5
21	限位螺栓	2	57	十字螺钉(组件)	1	21	Limit bolt	2	57	Cross screw (component)	1
22	外六角螺母	2	58	刻度盘指针	1	22	Outer six angle nut	2	58	Dial pointer	1
23	防水电缆接头	1	59	指针杆	1	23	Waterproof cable joint	1	59	Pointer lever	1
24	接线端子	1	60	橡胶堵头	1	24	Terminal	1	60	Rubber plug	1
25	十字螺钉	2	61	波形弹簧垫圈	1	25	Cross screw	2	61	Wave Spring Washers	1
26	十字螺钉	1	62	轴承	1	26	Cross screw	1	62	Bearing	1
27	O型圈	1	63	绝缘隔离板	1	27	O-ring	1	63	Isolation plate	1
28	防脱内六角螺钉	4	64	电机定子	1	28	Anti off inner six angle screw	4	64	Motor stator	1
29	电装-进线盖	1	65	电机转子	1	29	Electric installation - line cover	1	65	Motor rotor	1
30	轴承	1	66	轴承	1	30	Bearing	1	66	Bearing	1
31	蜗轮	1	67	绝缘隔离板	1	31	Gearbox	1	67	Isolation plate	1
32	轴承	1	68	电机盖	1	32	Bearing	1	68	Motor cover	1
33	油封	1	69	油封	1	33	Oil seal	1	69	Oil seal	1
34	内六角紧定螺钉	1	70	油封挡板	1	34	Internal six angle screw	1	70	Oil seal baffle	1
35	连接轴套(ISO5211)	1	71	十字螺钉(组件)	2	35	Connection sleeve (ISO5211)	1	71	Cross screw (component)	2
36	安装底座(ISO5211)	1				36	Mounting base (ISO5211)	1			

## 扭矩, 运行时间和电源供应 (非防爆型)

### 开关型

型号	KL111111			KL111311			KL111511		
扭矩(Nm)	45	50	90	100	200				
电压	24VDC	220VAC	380VAC	24VDC	220VAC	380VAC	24VDC	220VAC	380VAC
运行时间(S)	10	30	10	30	10	30			
额定电流(A)	2	0.24	0.15	2.4	0.32	0.19	8	0.48	0.25
功率(W)	20	10	40	23	40				

型号	KL111711			KL111911		KL112111		KL112311	
扭矩(Nm)	400			600		1000		2000	
电压	24VDC	220VAC	380VAC	220VAC	380VAC	220VAC	380VAC	220VAC	380VAC
运行时间(S)	10	30	30	50		100			
额定电流(A)	8	0.48	0.25	0.92	0.45	1.2	0.48	1.2	0.48
功率(W)	60			90		100		100	

### 调节型

型号	KL111121	KL111321	KL111521	KL111721	KL111921	KL112121	KL112321
扭矩(Nm)	50	100	200	400	600	1000	2000
电压	220VAC	220VAC	220VAC	220VAC	220VAC	220VAC	220VAC
运行时间(S)	30	30	30	30	30	50	100
额定电流(A)	0.24	0.32	0.48	0.48	0.92	1	1.2
功率(W)	10	23	40	40	90	100	100

## Torque time, operating times and power supply (Non explosion proof electric actuator)

### On/Off type

Model	KL111111			KL111311			KL111511		
Torque(Nm)	45	50	90	100	200				
Voltages	24VDC	220VAC	380VAC	24VDC	220VAC	380VAC	24VDC	220VAC	380VAC
Operating time(S)	10	30	10	30	10	30			
Rated current(A)	2	0.24	0.15	2.4	0.32	0.19	8	0.48	0.25
Power(W)	20	10	40	23	40				

Model	KL111711			KL111911		KL112111		KL112311	
Torque(Nm)	400			600		1000		2000	
Voltages	24VDC	220VAC	380VAC	220VAC	380VAC	220VAC	380VAC	220VAC	380VAC
Operating time(S)	10	30	30	50		100			
Rated current(A)	8	0.48	0.25	0.92	0.45	1.2	0.48	1.2	0.48
Power(W)	60			90		100		100	

### Modulante type

Model	KL111121	KL111321	KL111521	KL111721	KL111921	KL112121	KL112321
Torque(Nm)	50	100	200	400	600	1000	2000
Voltages	220VAC	220VAC	220VAC	220VAC	220VAC	220VAC	220VAC
Operating time(S)	30	30	30	30	30	50	100
Rated current(A)	0.24	0.32	0.48	0.48	0.92	1	1.2
Power	10	23	40	40	90	100	100

### 扭矩, 运行时间和电源供应 (防爆型)

#### 开关型

型号	KL121111			KL121311			KL121511		
	24VDC	220VAC	380VAC	24VDC	220VAC	380VAC	24VDC	220VAC	380VAC
扭矩(Nm)	50			100			200		
运行时间(S)	20			30			30		
额定电流 (A)	1.28	0.15	0.07	2.03	0.3	0.1	3.57	0.35	0.19
功率 (W)	13	10		25	25	15	35	40	30

型号	KL121711			KL121911		
	24VDC	220VAC	380VAC	24VDC	220VAC	380VAC
扭矩(Nm)	400			600		
运行时间(S)	30			45		
额定电流 (A)	5.13	0.64	0.29	6.04	0.67	0.29
功率 (W)	70	90	40	70	90	40

#### 调节型

型号	KL121121	KL121321	KL121521	KL121721	KL121921
扭矩(Nm)	50	100	200	400	600
电压	220VAC	220VAC	220VAC	220VAC	220VAC
运行时间(S)	20	30	30	30	45
额定电流 (A)	0.15	0.3	0.35	0.64	0.67
功率 (W)	10	25	40	90	90

### Torque moments, operating time and power supply (Explosion proof electric actuator)

#### On/Off type

Model	KL121111			KL121311			KL121511		
	24VDC	220VAC	380VAC	24VDC	220VAC	380VAC	24VDC	220VAC	380VAC
扭矩(Nm)	50			100			200		
运行时间(S)	20			30			30		
额定电流(A)	1.28	0.15	0.07	2.03	0.3	0.1	3.57	0.35	0.19
功率(W)	13	10		25	25	15	35	40	30

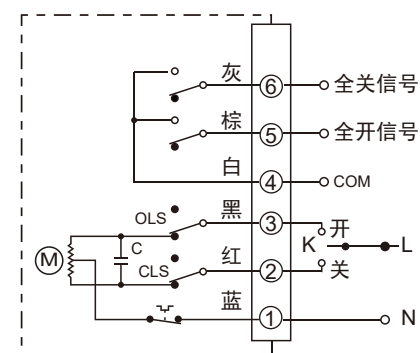
Model	KL121711			KL121911		
	24VDC	220VAC	380VAC	24VDC	220VAC	380VAC
扭矩(Nm)	400			600		
运行时间(S)	30			45		
额定电流(A)	5.13	0.64	0.29	6.04	0.67	0.29
功率(W)	70	90	40	70	90	40

#### Modulate type

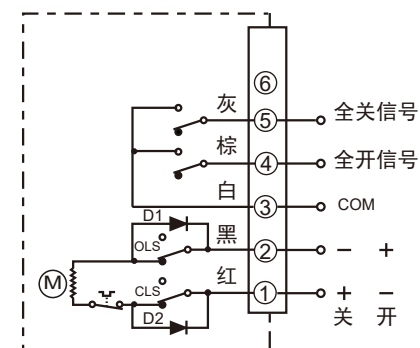
Model	KL121121	KL121321	KL121521	KL121721	KL121921
扭矩(Nm)	50	100	200	400	600
电压	220VAC	220VAC	220VAC	220VAC	220VAC
运行时间(S)	20	30	30	30	45
额定电流(A)	0.15	0.3	0.35	0.64	0.67
功率	10	25	40	90	90

### 执行器安装接线图 (非防爆型)

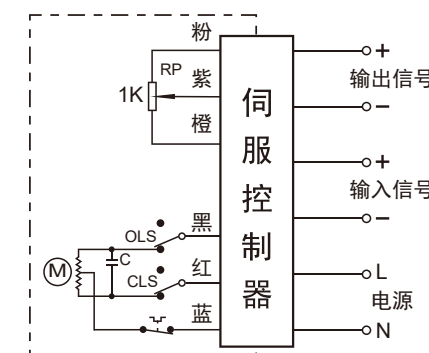
开关型  
24/110/  
220V AC



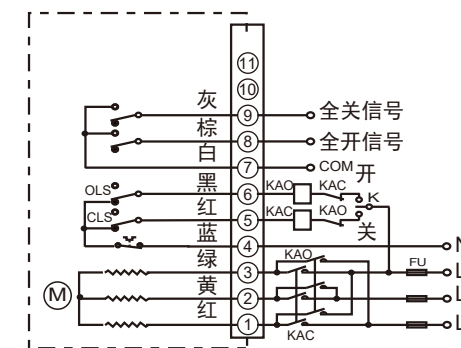
开关型  
24V DC



调节型  
110/220V AC

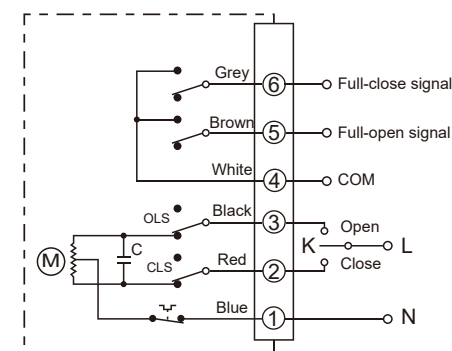


开关型  
380V AC

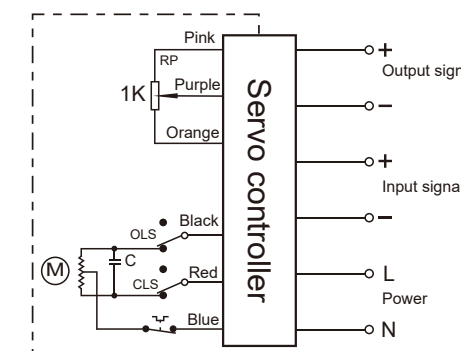


### Wiring diagram for standard actuator (Non explosion proof electric actuator)

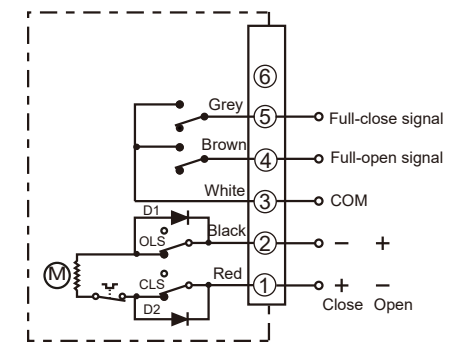
On/Off type  
24/110/  
220V AC



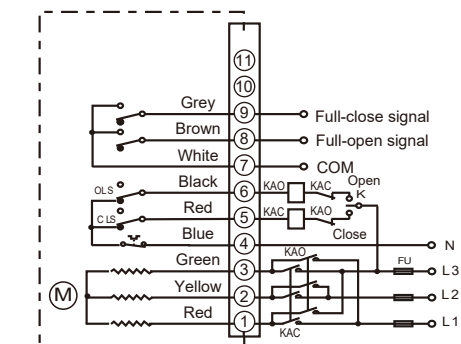
Modulate type  
110/220V AC



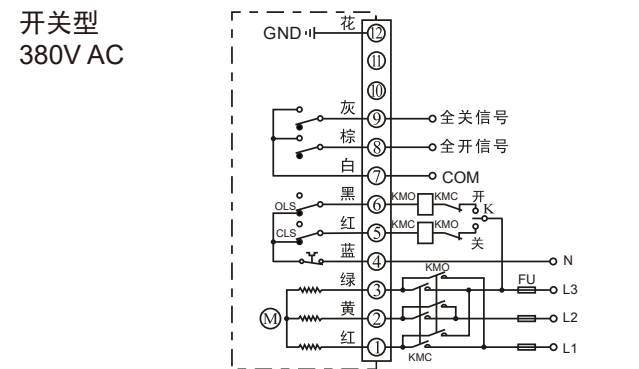
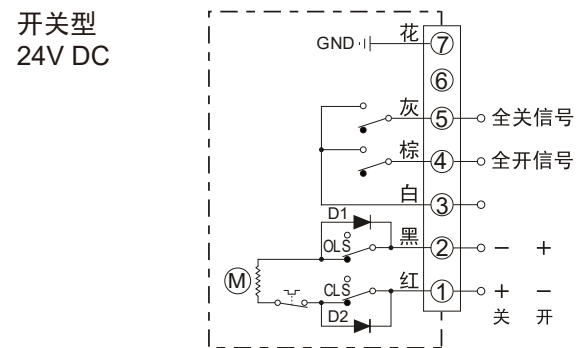
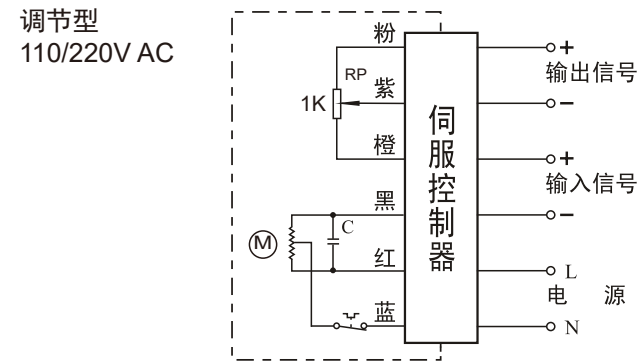
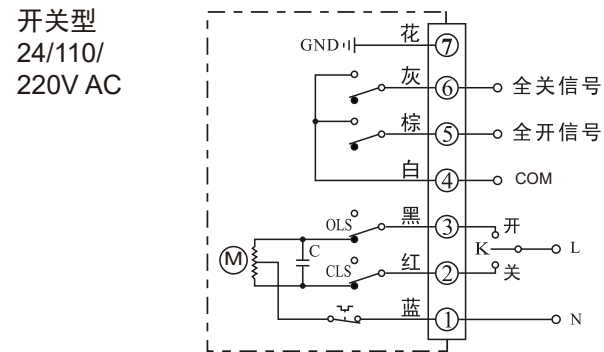
On/Off type  
24V DC



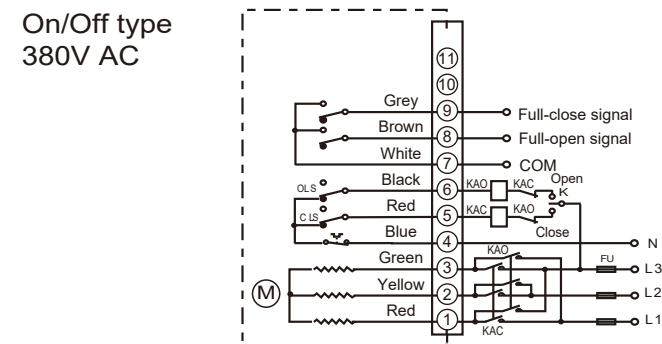
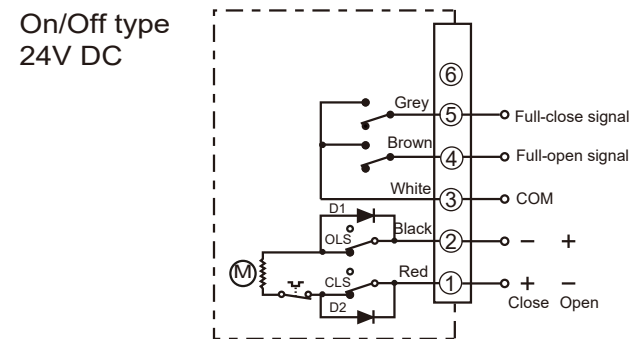
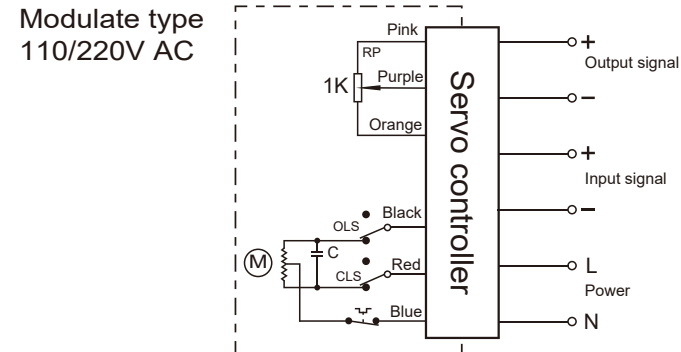
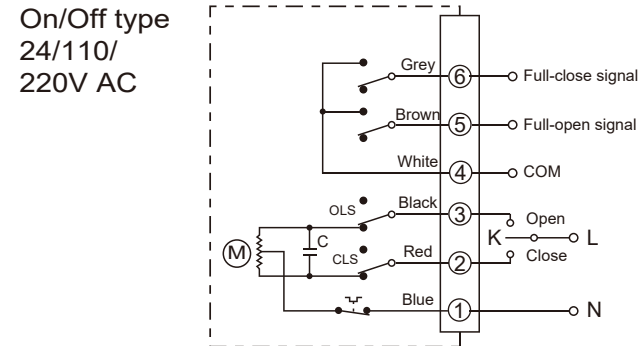
On/Off type  
380V AC



执行器安装接线图 (防爆型)

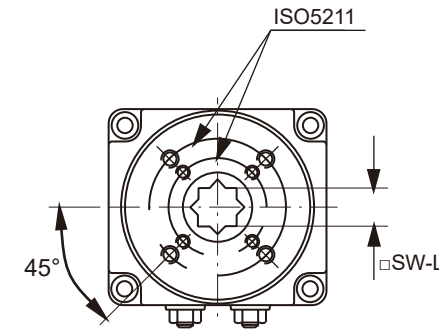
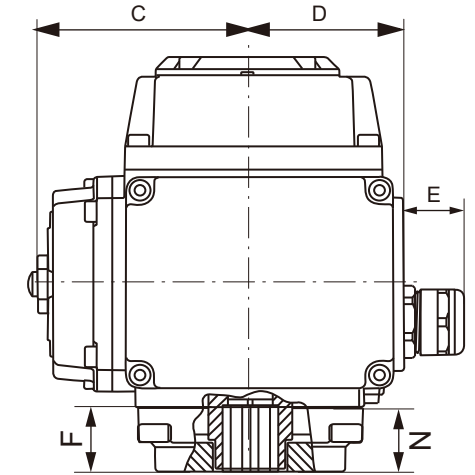
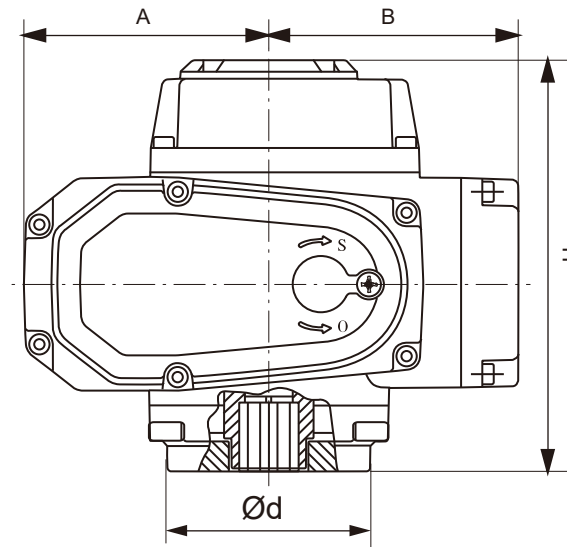


Wiring diagram for standard actuator (Explosion proof electric actuator)



尺寸/Dimension

非防爆电动执行器 / Non explosion proof electric actuator



螺杆仅为调整机械限位开关，完全拆卸螺杆是不允许的(见操作与安装手册)

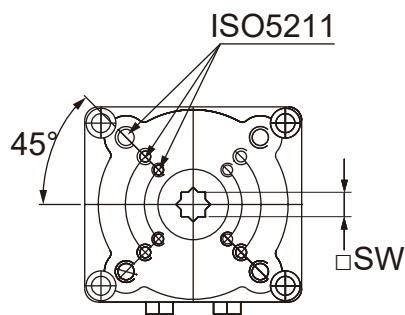
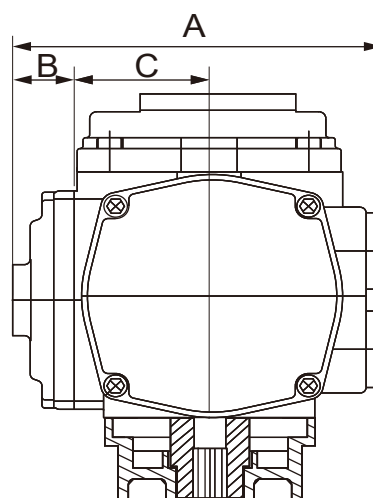
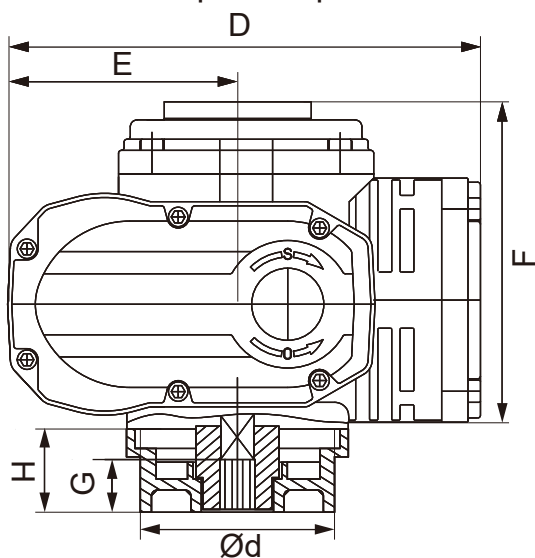
The screw is only to adjust mechanical limit switch, Remove the screw is not allowed(See Operation and Installation Manual)

扭矩/Torque(NM)	A	B	C	D	E	H	F	N	Ød	□SW	ISO5211	ISO5211-W	Kg
50(NM)	82	83	70	50.5	20	137.5	23	22	50.5	9-11-14	F03-F05	M5-M6	2.4
100(NM)	97.5	114	77	57	20	168.5	30	32	57	9-11-14-17	F05-F07	M6-M8	4.2
200(NM)	124	135	103	63	20	203	32	48	63	14-17-22-27	F07-F10	M8-M10	7.2
400(NM)	124	135	103	63	20	203	32	48	63	14-17-22-27	F07-F10	M8-M10	7.2
600(NM)	124	135	103	63	20	203	32	48	63	14-17-22-27	F07-F10	M8-M10	8
1000(NM)	129	154	107.5	65.5	20	229.5	42	62	65.5	22-27	F10-F12	M10-M12	11.5
2000(NM)	129	154	107.5	65.5	20	229.5	62	82	65.5	27-36	F14-F16	M16-M20	12.1



## 尺寸/Dimension

### 防爆电动执行器 /Explosion proof electric actuator



螺杆仅为调整机械限位开关，完全拆卸  
 螺杆是不允许的(见操作与安装手册)

The screw is only to adjust mechanical  
 limit switch ,Remove the screw is not  
 allowed(See Operation and Installation  
 Manual)

扭矩/Torque (NM)	A	B	C	D	E	F	G	H	Ød	□SW	ISO5211	ISO5211-W	Kg
50(NM)	120.5	21	46	170.5	83	120	19	30	70	9-11-14	F03-F05-F07	M5-M6-M8	3
100(NM)	139	25	—	217.5	96	150	19	32	90	9-14-17	F05-F07	M6-M8	5
200(NM)	139	25	—	217.5	96	150	19	32	90	9-14-17	F05-F07	M6-M8	5.5
400(NM)	170	32	—	266.5	122.5	165	25	48	125	17-22	F07-F10	M8-M10	9.5
600(NM)	170	32	—	266.5	122.5	165	25	48	125	17-22	F07-F10	M8-M10	10