

规格

设计

高负载型，顶部导向不平衡结构，高强度、重荷载、S流线型通道、压降损失小、流量系数大、可调范围广、流量特性精度高。适用于重荷载、普通或恶劣的工况，关闭严密，适应于对各种压力和温度的流体或气体的控制，适配各种执行器，起调节作用。

操作

手动 电动 气动控制

连接

对焊、法兰

压力范围

ANSI: CLASS150-900LB
DIN:PN16-PN64

温度范围

PTFE: -30°C - +180°C
金属: -196°C - +570°C

材料

阀体: WCB/WCC/
WC6/WC9/C5
CF8/CF3
CF8M/CF3M等

内件:

304/304L
316/316L
410/420/440C
630/XM-19

密封:

PTFE/金属/堆焊STL

Specification

DESIGN

High load type, top-oriented unbalanced structure, high strength, heavy load, S streamline channel, multistage pressure reducing, high flow, wide adjustable range and high accuracy of flow characteristics. It is suitable for heavy load, ordinary or poor working conditions, tightly closed. Applicable to the control of various of pressure and temperature fluid. It can be adjusted and suitable for various actuators.

OPERATION

Handle/Electric and Pneumatic control

CONNECTION

Butt Weld/Flange

PRESSURE RANGE

ANSI: CLASS150-900LB
DIN: PN16-PN64

TEMPERATURE RANGE

PTFE: -30°C - +180°C
Metal: -196°C - +570°C

MATERIALS

Body: WCB/WCC/
WC6/WC9/C5
CF8/CF3
CF8M/CF3M etc.

Internal:

304/304L
316/316L
410/420/440C
630/XM-19

Seal:

PTFE/ Metal/SurfacingSTL

型号:
TA

不平衡单座式调节阀
CLASS150-900LB
PN16-PN64

WCB/WCC

WC6/WC9/C5

CF8/CF3

CF8M/CF3M等



Type:
TA

Unbalanced single seat
Control valve
CLASS150-900LB
PN16-PN64
WCB/WCC
WC6/WC9/C5
CF8/CF3
CF8M/CF3M etc.

以上信息仅供参考，本公司保留修改的权利，恕不另行通知

The above information is intended for guidance only and the company reserves the right to change any date herein without prior notice

举例说明: 比如 TAA3323614-NA11A1115

=不平衡单座直通式标准型调节阀, CF8/304, PTFE, PN16, 国标法兰, DN20, 直行程膜片式气动执行器, 双作用, 铝合金, 266, NBR, 100 调节阀

1. 字符 产品	2+3. 字符 阀体/内件	4. 字符 密封	5. 字符 压力标准	6. 字符 连接	口径 口径	
TAA=不平衡单座直通式标准型调节阀	23=WCB/304	2=PTFE	3=PN16/150LB	6=国标法兰	13=1/2"	18=2"
TAB=不平衡单座直通式加长型调节阀	33=CF8/304	D=金属	4=PN25	M=美标法兰	14=3/4"	19=2 1/2"
TAC=不平衡单座直通式散热片型调节阀	24=WCB/316	M=STL	5=PN40/300LB	S=对焊	15=1"	20=3"
TAD=不平衡单座直通式波纹管型调节阀	35=CF8/304L		6=PN64		16=1 1/4"	21=4"
TRA=低噪音不平衡套筒单座单座式标准型调节阀	55=CF3/304L		7=600LB		17=1 1/2"	
TRC=低噪音不平衡套筒单座单座式散热片型调节阀	44=CF8M/316		8=900LB			
TFA=组合套筒降压不平衡单座式标准型调节阀	66=CF3M/316L 46=CF8M/316L 56=CF3/316L GZ=WC6/440C G4=WC6/316					

9. 字符 产品	10. 字符 功能	11. 字符 材质	12 + 13. 字符 规格		14. 字符 密封	15. 字符 选项	16. 字符 行程	
NA=直行程膜片式 气动执行器	1=双作用 2=单作用常闭 3=单作用常开	1=铝合金	A1=266 A2=294 A3=370	A4=475 A5=590	1=NBR 2=HNBR 3=FKM	1=无 2=顶装手轮 4=侧装手轮	1=16 2=25 3=40	4=60 5=100

Ordering example: e.g. TAA3323614-NA11A1115

=Unbalanced single seat standard control valve, CF8/304, PTFE, PN16, GB Flange, DN20, Straight stroke diaphragm Pneumatic actuator, Double action, Aluminium alloy, 266, NBR, 100 Control valve

A. Type	B+C. Body/Internal	D. Sealing	E. Pressure criteria	F. Connection	G+H. Size	
TAA=Unbalanced single seat standard control valve	23=WCB/304	2=PTFE	3=PN16/150LB	7=GB Flange	13=1/2"	18=2"
TAB=Unbalanced single seat extension type control valve	33=CF8/304	D=Metal	4=PN25	M=ANSI Flange	14=3/4"	19=2 1/2"
TAC=Unbalanced single seat radiator fin control valve	24=WCB/316	M=STL	5=PN40/300LB	S=Butt weld	15=1"	20=3"
TAD=Unbalanced single seat bellows seal type control valve	35=CF8/304L		6=PN64		16=1 1/4"	21=4"
TRA=Low noise unbalanced sleeve single seat single seat standard control valve	55=CF3/304L		7=600LB		17=1 1/2"	
TRC=low noise unbalanced sleeve single seat single seat fin type regulating valve	44=CF8M/316 66=CF3M/316L 46=CF8M/316L		8=900LB			
TFA=Combined sleeve pressure-reducing unbalanced single-seat standard regulating valve	56=CF3/316L GZ=WC6/440C G4=WC6/316					

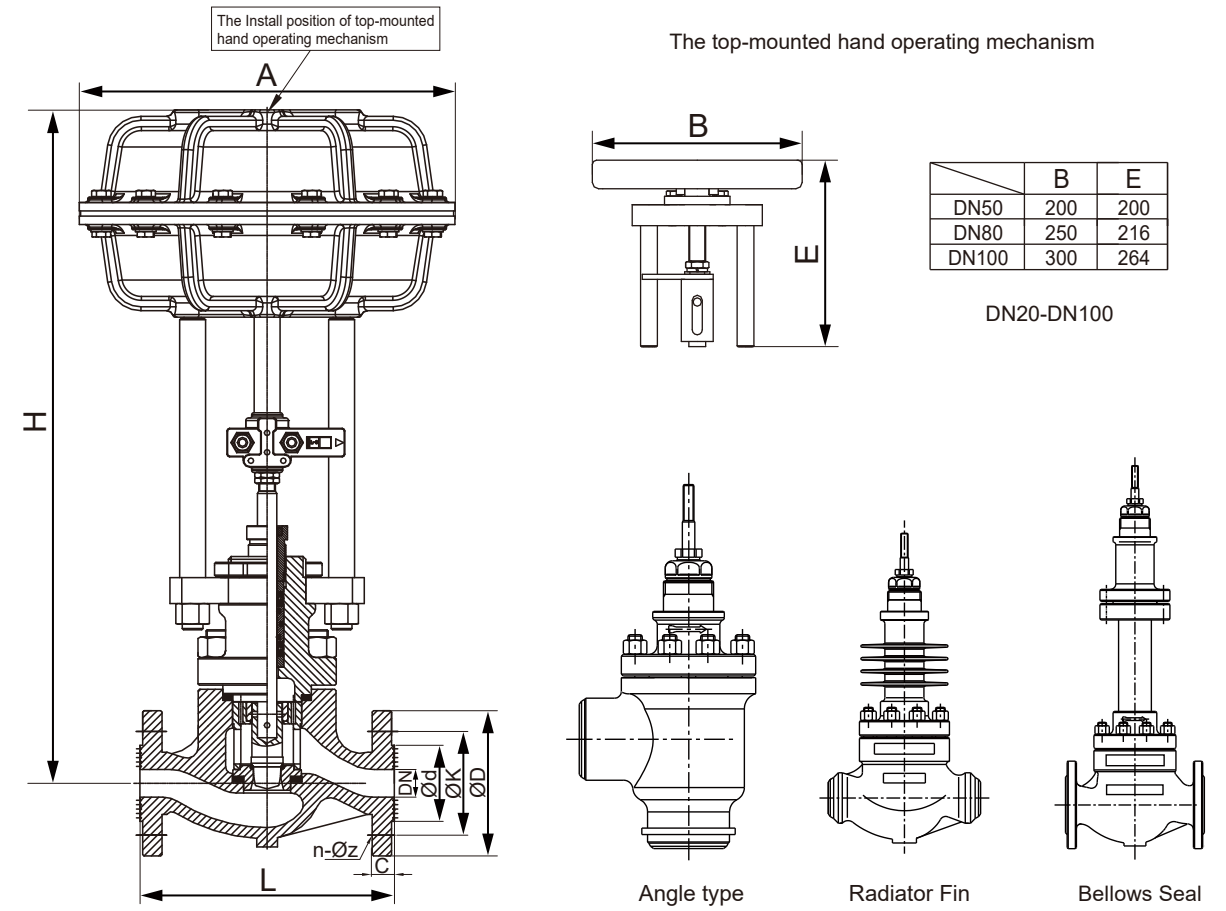
I. Product	J. Fail position	K. Material	L+M. Specifications		N. Seal	O. Options	P. Trip	
NA=Straight stroke diaphragm Pneumatic actuator	1=Double action 2=Single action-close 3=Single action-open	1=Aluminium alloy	A1=266 A2=294 A3=370	A4=475 A5=590	1=NBR 2=HNBR 3=FKM	1=No handwheel 2=Top handwheel 4=Side-mounted handwheel	1=16 2=25 3=40	4=60 5=100

额定CV值及行程 / Rated CV value and Trip

公称口径 Valve size (mm)	阀芯尺寸 Plug size (mm)	额定 Rated CV		行程 Stroke (mm)	公称口径 Valve size (mm)	阀芯尺寸 Plug size (mm)	额定 Rated CV		行程 Stroke (mm)
		百分比/EQ%	线性/Linear				百分比/EQ%	线性/Linear	
20	6	1	---	16	32	32	20	25	16
	8	1.5	---	16	40	40	32	35	25
	10	2	---	16	50	50	46	55	25
	15	4	---	16	65	65	75	85	40
	20	8	10	16	80	80	110	135	40
25	6	1	---	16	100	100	185	210	40
	8	1.5	---	16	125	125	298	345	60
	10	2	---	16	150	150	385	466	60
	15	4	---	16	200	200	650	735	60
	20	8	10	16	250	250	960	1000	100
	25	13	16	16	300	300	1300	1500	100

尺寸/Dimension

GB PN16/40/64



SIZE	DN	Actuator		A	H	PN16					PN40					PN64							
		Model	Specification			L	D	K	d	c	n-Øz	L	D	K	d	c	n-Øz	L	D	K	d	c	n-Øz
3/4"	20	NA21A1111	Ø226	226	468	184	105	75	58	18	4-Ø14	194	105	75	58	18	4-Ø14	206	130	90	58	22	4-Ø18
1"	25	NA21A1111	Ø226	226	468	184	115	85	68	18	4-Ø14	197	115	85	68	18	4-Ø14	210	140	100	68	24	4-Ø18
1-1/4"	32	NA21A2111	Ø294	294	552	222	140	100	78	18	4-Ø18	235	140	100	78	18	4-Ø18	251	155	110	78	24	4-Ø22
1-1/2"	40	NA21A2111	Ø294	294	552	222	150	110	88	18	4-Ø18	235	150	110	88	18	4-Ø18	251	170	125	88	28	4-Ø22
2"	50	NA21A2111	Ø294	294	561	254	165	125	102	18	4-Ø18	267	165	125	102	20	4-Ø18	286	180	135	102	26	4-Ø22
2-1/2"	65	NA21A3113	Ø370	370	676	276	185	145	122	18	8-Ø18	292	185	145	122	22	8-Ø18	311	205	160	122	26	8-Ø22
3"	80	NA21A3113	Ø370	370	683	298	200	160	138	20	8-Ø18	317	200	160	138	24	8-Ø18	337	215	170	138	28	8-Ø22
4"	100	NA21A3113	Ø370	370	691	352	220	180	158	20	8-Ø18	368	235	190	162	24	8-Ø22	394	250	200	162	30	8-Ø26

注意: 1. ≥4"参数与数据请详询。

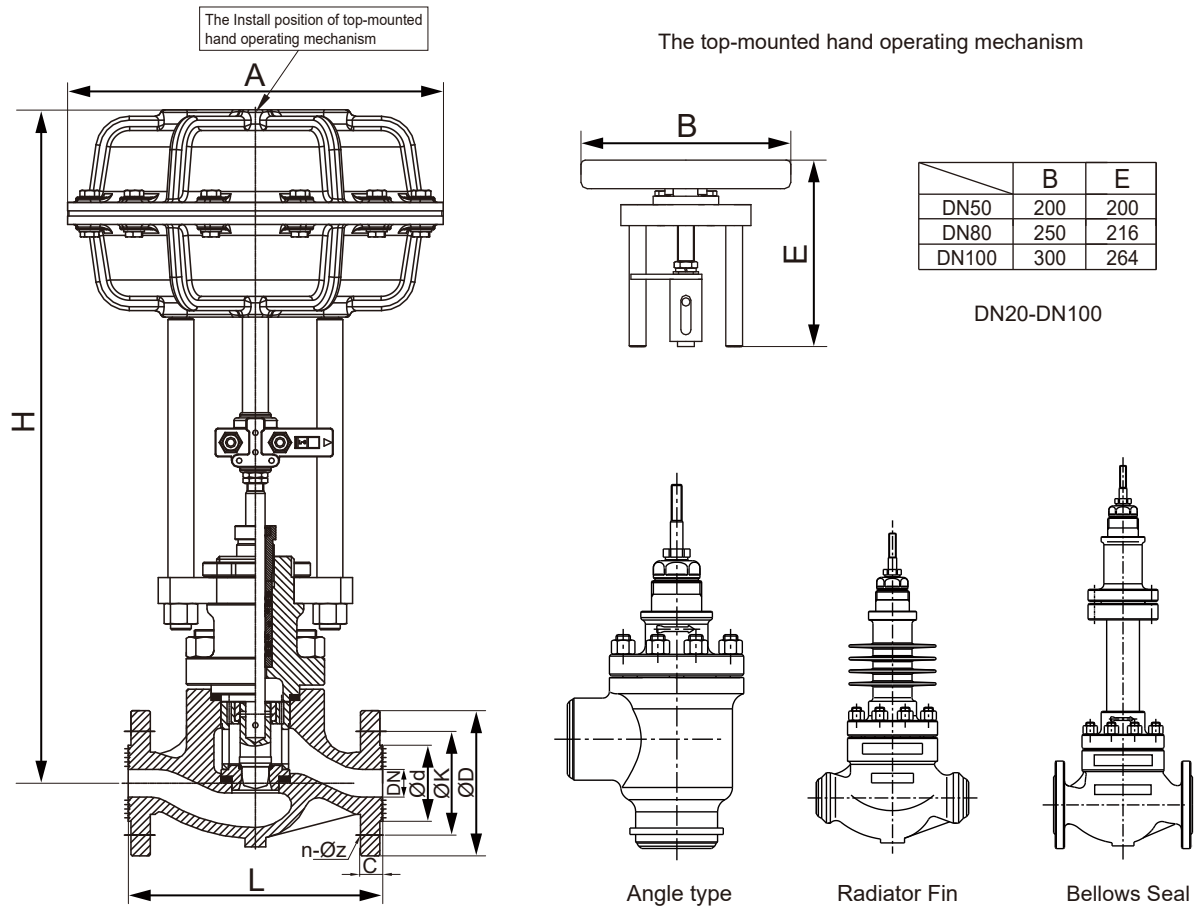
2. 以上数据表为标准型的, 散热型、波纹管型, 角型结构请咨询埃克美迅技术部。

Note: 1. ≥4"Parameters and data, please inquire more.

2. The above data table is of standard type, heat dissipation type, corrugated type, and angular type. Please consult Eicmation's technical department.

尺寸/Dimension

ASME 150LB/300LB/600LB



SIZE	DN	Actuator		A	H	150LB						300LB						600LB					
		Model	Specification			L	D	K	d	c	n-Øz	L	D	K	d	c	n-Øz	L	D	K	d	c	n-Øz
3/4"	20	NA21A1111	Ø226	226	468	184	100	69.9	42.9	13.2	4-Ø16	194	115	82.6	42.9	16.3	4-Ø18	206	115	82.6	42.9	22.9	4-Ø18
1"	25	NA21A1111	Ø226	226	468	184	110	79.4	50.8	14.7	4-Ø16	197	125	88.9	50.8	17.9	4-Ø18	210	125	88.9	50.8	24.5	4-Ø18
1-1/4"	32	NA21A2111	Ø294	294	552	222	115	88.9	63.5	16.3	4-Ø16	235	135	98.4	63.5	19.5	4-Ø18	251	135	98.4	63.5	27.7	4-Ø22
1-1/2"	40	NA21A2111	Ø294	294	552	222	125	98.4	73	17.9	4-Ø16	235	155	114	73	21.1	4-Ø22	251	155	114	73	29.3	4-Ø22
2"	50	NA21A2111	Ø294	294	561	254	150	121	92.1	19.5	4-Ø18	267	165	127	92.1	22.7	8-Ø18	286	165	127	92.1	32.4	8-Ø18
2-1/2"	65	NA21A3113	Ø370	370	676	276	180	140	105	22.7	4-Ø18	292	190	149	105	25.9	8-Ø22	311	190	149	105	35.6	8-Ø22
3"	80	NA21A3113	Ø370	370	683	298	190	152	127	24.3	4-Ø18	317	210	168	127	29	8-Ø22	337	210	168	127	38.8	8-Ø22
4"	100	NA21A3113	Ø370	370	691	352	230	191	157	24.3	8-Ø18	368	255	200	157	32.2	8-Ø22	394	275	215	157	45.1	8-Ø26

注意：1. ≥4"参数与数据请详询。

2. 以上数据表为标准型的，散热型、波纹管型，角型结构请咨询埃克美迅技术部。

Note: 1. ≥ 4" Parameters and data, please inquire more.

2. The above data table is of standard type, heat dissipation type, corrugated type, and angular type. Please consult Eicmation's technical department.